



UROLOGY



The Experts in Endoscopy

The Experts in Endoscopy

This catalog presents a portion of the Richard Wolf complete line of endoscopy instruments and equipment products.

The research and development staff at Richard Wolf is constantly dedicated to providing our customers with innovative, state-of-the-art products. We, therefore, reserve the right to amend specifications of instruments and equipment included in this catalog.

Because of our continual, intensive research efforts in the field of endoscopy, we cannot guarantee that this catalog contains all the most recent developments. For additional information on recent product developments, please ask Customer Service about our "New Product Information" brochures.

All Wolf instruments and equipment conform to German and international standards.

Richard Wolf GmbH is certified in compliance with ISO 9001 / EN 46 001.

We provide system solutions for the following medical disciplines:



WOLF Customer Service:

RICHARD WOLF Medical Instruments Corporation
353 Corporate Woods Parkway
Vernon Hills, Illinois 60061-3110

E-mail: sales&marketing@richardwolfusa.com
Website: www.richardwolfusa.com

Telephone: (847) 913-1113
Customer Service: (800) 323-WOLF (9653)
Fax: (847) 913-1488



General Information • Service



Index



Video Systems • Carts



Cystoscopes and Incontinence Therapy



Urethrotomes



Resectoscopes



Ureteroscopes



Percutaneous Nephroscopes



Lithotripsy



Laser Therapy



Pediatric Urology



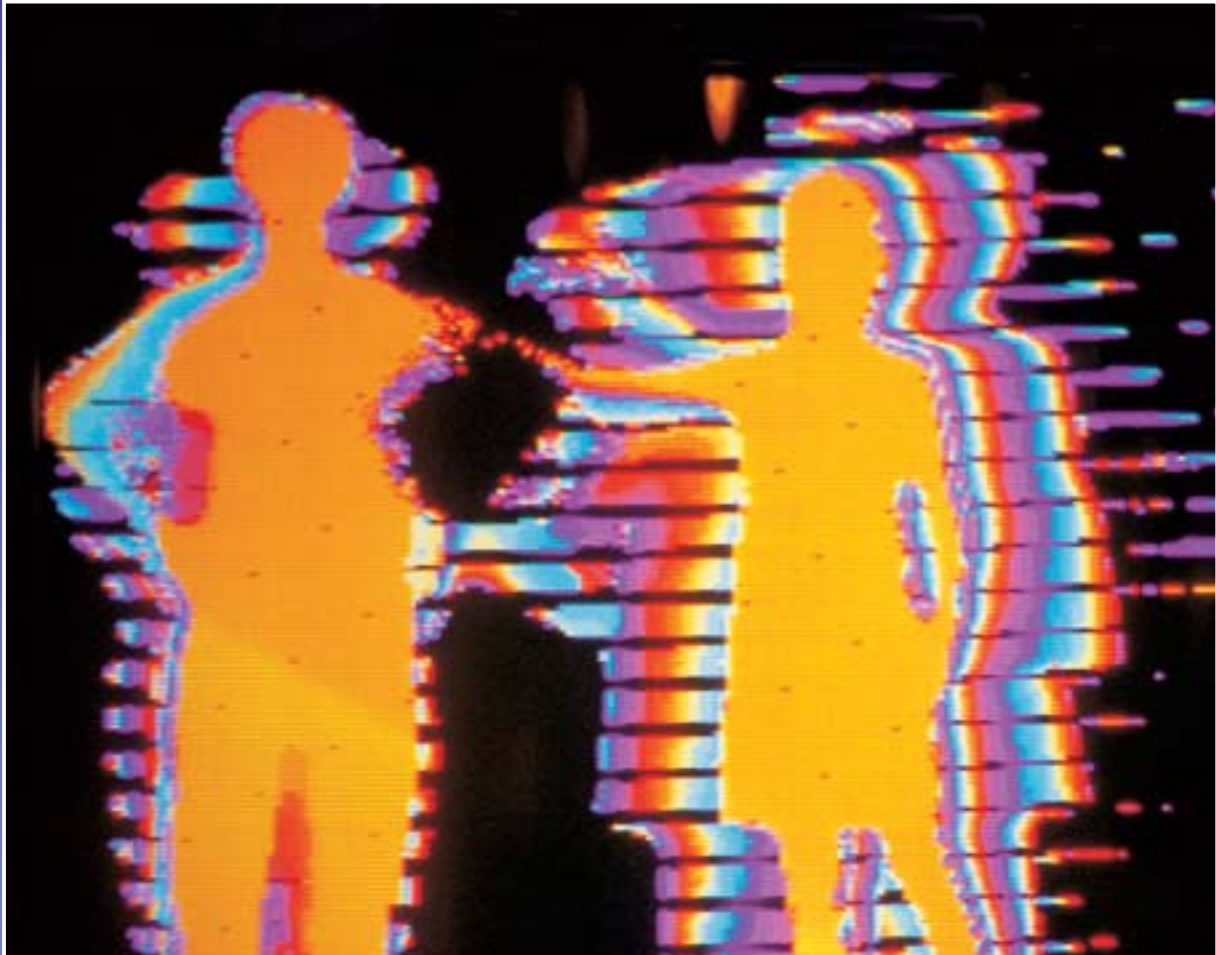
Accessory Instruments



Urological Laparoscopy



Spare Parts



General Information · Service

Richard Wolf Medical Instruments



For nearly 100 years Wolf has been a driving force and world-respected leader in the development and production of high-quality optics and instrumentation for minimally invasive surgery. With our broad background and expertise in endoscopy, Richard Wolf continues to develop, design and manufacture optics and precision instruments and equipment that many surgeons believe to be the finest available.

As a complete endoscopy company, we supply medical professionals and healthcare facilities with superior products for all endoscopic disciplines including General Surgery, Gynecology, Urology, ENT and Arthroscopy. We incorporate the same high-quality images that our customers have come to expect from our world-class optics in our video and documentation equipment which features single chip, 3-chip and 3D imaging systems.

Richard Wolf Medical Instruments Corporation was founded in 1972, the first international subsidiary of Richard Wolf, GmbH, Knittlingen, Germany. In 1991 we moved into our comprehensive new facility outside Chicago in Vernon Hills, Illinois. The operation now supports U.S. customers with a nearly complete manufacturing and assembly operation, as well as with comprehensive repair, sales, service and marketing capabilities.

More than 1000 skilled, highly motivated employees worldwide, and state-of-the-art manufacturing processes and facilities, guarantee products and systems distinguished by exceptional quality and highly durable, long-lasting reliable performance.

Richard Wolf GmbH is proud to be one of the first endoscopy companies to receive certification by an accredited test organization for medical instrumentation in compliance with ISO 9001, ensuring our customers proven quality.

To promote the advancement and successful outcome of minimally invasive surgical procedures, we maintain a constant dialogue with leading physicians and the healthcare community.

Richard Wolf is committed to continually presenting new concepts and improvements to our physician and nursing partners. This on-going dedication to research has led to a myriad of innovations including modular instrumentation, magnetic-ball trocars, bipolar systems and 3D video.

This catalog presents our latest innovative product line for Urology and Laparoscopy.

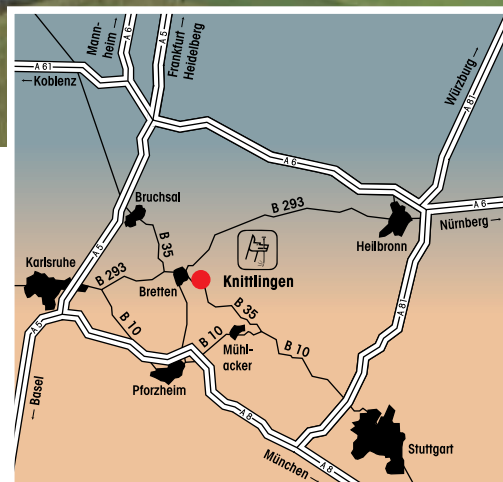
Our Parent Company



RICHARD WOLF GmbH

Postfach 1164 · D-75434 Knittlingen
Pforzheimer Straße 32 · D-75438 Knittlingen
Phone ++49 70 43 - 35-0 · Fax ++49 70 43 - 3 53 00

Our parent company, Richard Wolf GmbH in Knittlingen, Germany, has long been at the forefront of development and manufacturing of the finest optics and medical instrumentation. As one of five worldwide subsidiaries, we are proud to continue the Wolf heritage of excellence.



Worldwide Subsidiaries

USA

RICHARD WOLF
Medical Instruments Corp.
353 Corporate Woods Parkway
Vernon Hills, Illinois 60061
Tel.: 847-913 1113
Fax: 847-913 1488
www.richardwolfusa.com
sales&marketing@richardwolfusa.com

FRANCE

RICHARD WOLF France S. A. R. L.
Rue Daniel Berger
Z. A. C. La Neuville
F-51 100 Reims
Tél.: 26-87 02 89
Fax: 26-87 60 33

AUSTRIA

RICHARD WOLF Austria
Ges. m. b. H.
Lederergasse 32
A-1082 Wien
Tel.: 0 222-42 62 19
Fax: 0 222-408 70 84

UK

RICHARD WOLF UK Ltd.
Waterside Way
Wimbledon
SW17 0HB
Tel.: 0181-944 7447
Fax: 0181-944 1311

BELGIUM

N. V. Endoscopie
RICHARD WOLF Belgium S. A.
Industriezone Drogen, Landegemstraat 6
B-9031 Gent-Drogen
Tél.: 09-282.92.15
Fax: 09-282.92.16

Agents / Distributors*

AFRICA

Algeria

CMM SARL
Comptoir du Matériel Médical
1, Rue Mohamed Ben Zineb
Alger - Algérie
Tel.: +213 2 - 667 447
Fax: +213 2 - 656 454

Angola, São Tomé, Cap Verde, Guinéa-Bissau

Medicinalia Lda.
Rua Tipografia Mana Tita, 25
Luanda
Angola
Tel.: +244 2 - 331 346
Fax: +244 2 - 368 24

Benin - Togo

Mr. Guy Vodouhe
B.P. 1239
Cotonou / Benin
Tel.: +229 - 321 668

Egypt

BEHMAN
Medical Services
80, El Goumhouria Street
Cairo
Tel.: +20 2 - 591 9 340
Fax: +20 2 - 588 2 787

Ivory Coast

Medicom
Department Medical de Comafrique
Boulevard Vridi
Abidjan 01
Tel.: +225 - 250 490
Fax: +225 - 250 582

Kenya

Bel-Aire International
Room 201, 2nd Floor, Westlands Arcade
Chiromo Road, Westlands
P.O. Box 14870
Nairobi Kenya
Tel.: +254 2 - 448 191
Fax: +254 2 - 448 190

Morocco

Industrie Hospitaliere
108, Rue Pierre Parent
Casablanca
Tel.: +212 2 - 303 020
Fax: +212 2 - 316 478

Tunisia

IGE/International General Equipment
28, rue de l'Artisanat
La Chargaia II
Tunis
Tel.: +216 1 - 700 111
Fax: +216 1 - 700 970

Senegal, Gambia, Guinea, Burkina Faso, Niger, Mali, Mauretania

CENI-Distributo
"Afrique de l'Ouest"
56 / El Cité Elhadj Malick SY
Thies - Senegal
Tel.:
Fax: +221 - 514 777

South Africa, Botswana, Malawi, Mozambique, Namibia, Zambia, Zimbabwe

SG Medical
Private Bag X116
Halfway House 1685
142 Lechwe Street
Corporate Park Midrand
South Africa
Tel.: +27 11 - 653 8 600
Fax: +27 11 - 653 8 635
Internet: www.sgmedical.co.za
NEW - 09/24/1999
ASIA

Bahrain

Yousuf Mahmood Husain
Tijjar Road
P.O. Box 23
Manama / Bahrain
Tel.: +973 - 276 176
Fax: +973 - 275 819

Bangladesh

G.S.S. Company (Overseas)
APO Box 2827
30, Urdu Road, Chawkbazar
Dhaka / Bangladesh
Tel.: +880 2 - 242 565
Fax: +880 2 - 966 3471

Hong Kong

Schmidt Group of Companies
Corporate Headquarters
Att. Mr. Petas Li
36 / F Dorset House, Taikoo Place
979 King's Road, Quarry Bay
Hong Kong
Tel.: +852 - 250 70 233
Fax: +852 - 250 70 971

India*

AZ Marketing Pvt. Ltd.
No. 102, 1st Floor
Raheja Arcade, Koramangala
Bangalore - 560 034
Tel.: +91 80 - 552 2 643
Fax: +91 80 - 553 1 550

Eagle Medical Systems Pvt. Ltd.

Vaishno House
A - 267, Defence Colony
New Delhi - 110 024
Tel.: +91 11 - 464 6 007
Fax: +91 11 - 469 7 712

Sushrut Surgical Pvt. Ltd.

3rd Floor, above Bank of India,
M.G. Road and Hanuman Road Corner
Vile Parle (East)
Mumbai - 400 057
Tel.: +91 22 - 839 0 207
Fax: +91 22 - 610 5 617

Indonesia

PT. Endosco Nusa Persada
Gedung Sentra Pemuda
JL. Pemuda No. 61 Kav. 3
Jakarta 13220
Tel.: +62 21 - 475 7 260
Fax: +62 21 - 475 7 320

Iran

Iran Medical Supplies Co.Inc.
1474 Enhelab Ave.
P.O.Box 13145/1484
Teheran
Tel.: +98 21 - 646 8 189
Fax: +98 21 - 640 8 083

Israel

I.R.M. Medidenta Ltd.
100 Jabotinsky Road
P.O.Box 3010
Petach Tikva 49102
Fax: +972 3 - 922 5 964
E-mail: Medidenta@isdn.net.il
NEW - 07/17/1999

Japan

Sumitomo Corporation
Medical and Overseas Facilities
Att. Mr. Shigeru Ueda
1-2-2, Hitotsubashi,
Chiyoda-ku
Tokyo 100
Tel.: +81 3 - 321 76124
Fax: +81 3 - 321 75 836
E-mail: shigeru.ueda@sumitomocorp.c.jp

Jordan

The Arab Drug Store
Amin Shocair Establishment
Khalil Salem Street
P.O.Box 208

11118 Amman

Tel.: +962 6 - 553 8 981
Fax: +962 6 - 553 2 358

Korea

SOGOO TRADING COMPANY LTD.
663-25 Yeogsam-Dong
Kangnam-Ku
Seoul
Tel.: +82 2 - 569 0 740
Fax: +82 2 - 563 2 109

Kuwait

Yusuf Ibrahim Alghanim + Co. W.L.L.
P.O.Box 435
13005 Safat
Tel.: +965 - 484 2 322
Fax: +965 - 484 4 954

Lao

LMS
Lao Medical Services Co. Ltd.
037 / 60-07 Thaphalanexay village
P.O.Box 4952
Vientiane Lao P.D.R.
Tel.: +856 21 - 314 944
Fax: +856 21 - 314 794

Lebanon

Samir S., Hani Establishment
Hazmieh Commercial Centre - Bloc A
P.O.Box 459
Hazmieh / Beirut
Tel.: +961 5 - 429 529
Fax: +961 5 - 457 585

Malaysia

SERVICOM
Associates & Subsidiaries
Att. Mr. Adolf Ludge
Suite FGH, 17th Floor,
Bangunan Angkasa Raya
Jalan Ampang 50450
Kuala Lumpur
Tel.: +60 3 - 248 9 700
+60 3 - 244 6 426
Fax: +60 3 - 244 6 362
+60 3 - 245 2 321

Myanmar

ADK International Company Ltd.
No. 265 (A) Kyaik Ka San Road
Tamwe P.O. Yangon
Tel.: +95 1 - 551 861
Fax: +95 1 - 551 867

Oman

IMTAC Industrial Management
Technology Contracting L.L.C.
Medical & Laboratory Products Group
P.O.Box 196
116 Mina Al Fahal
Sultanate of Oman
Tel.: +968 - 707 727
Fax: +968 - 797 709

Pakistan

Fazal Din & Sons (Private) Ltd.
53, Shahrab-e-Quaid-e-Azam
P.O.Box 344
Lahore 54000
Tel.: +92 42 - 723 0 971
Fax: +92 42 - 723 1 770

Palestine

TRANSJORDAN ENGINEERING CO. LTD.
Pope Paul VI Street
P.O.Box 222
Bethlehem - Palestine
Tel.: +972 2 - 741 111
Fax: +972 2 - 742 576

Philippines

JMC Medical Supplies
Suite 217 Asian Mansion 1,
109 Dela Rosa Street
Legaspi Village, Makati City
Metro Manila
Tel.: +63 2 - 867 1 137

Fax: +63 2 - 893 4 154
E-mail: rwolfjmc@i-manila.com.ph
NEW - 07/09/1999

MTC Opto-Medic Inc.
5th Floor, Echelon Tower Building
2100 A. Mabini Street
Malate, Manila
Tel.: +63 2 - 521 4 301 to 305
Fax: +63 2 - 521 4 529
E-mail: mtcp@info.com.ph

Qatar

ALI BIN ALI EST.
Medical Division
P.O.Box 75
Doha
Tel.: +97 4 - 310 570
+97 4 - 469 891
Fax: +97 4 - 361 000
E-mail: abaceo@qatar.net.qa
NEW - 07/09/1999

Saudi Arabia*

Al-Jeel Medical & Trading Co. Ltd.
Head Office
P.O.Box 5012
Riyad, 11422
Tel.: +966 1 - 404 1 717
Fax: +966 1 - 408 0 823

Branches in:
Jeddah + Alkhobar

Singapore

Servicom Medical (Singapore) Pte. Ltd.
180 Cecil Street, # 08 - 04
Bangkok Bank Building
Singapore 069546
Tel.: +65 - 224 8 701
Fax: +65 - 224 8 721
E-mail: servicom@singnet.com.sg
NEW - 09/08/1999

Sri Lanka

ESPÉE MARKETING
167, Union Place
Colombo 2
Tel.: +94 1 - 449 502
Fax: +94 1 - 445 457

Syria

AVICENNA
Monzer Sadek
Medical Equipment & Supplies
Abu Rummaneh Street
P.O.Box 5884
Damascus
Tel.: +963 11 - 333 4 600
Fax: +963 11 - 333 3 531

Taiwan

Schmidt Scientific Taiwan Ltd.
6 Fl., No. 109, Tung Hsing Street
Taipei 110
Taiwan R.O.C.
Tel.: +886 2 - 767 8 890
Fax: +886 2 - 767 8 829

Thailand

Schmidt Scientific (Thailand) Ltd.
Government Housing Bank Bld.
Tower II 19th Floor
212 Rama 9 Rd, Huay Kwang
Bangkok 10320
Tel.: +66 2 - 643 1 330-9
Fax: +66 2 - 643 1 341

United Arab Emirates*

Al Mazroui
Medical & Chemical Supplies
P.O.Box 6196
Dubai
Tel.: +971 4 - 661 272
Fax: +971 4 - 690 612

Branches in:
Abu Dhabi + Al Ain

Agents / Distributors*

Vietnam

Schmidt Vietnam Co., Ltd.
13/F, Saigon Center Building
65 Le Loi Street, District 1
Ho-Chi-Minh City
Tel.: +84 8 - 822 8 228
Fax: +84 8 - 823 0 239
NEW - 07/09/1999

Yemen

Al-Ammari Trading
Medical & Dental Supply
Assafiah-Khurtoom Street
P.O.Box 11656
Sanaa
Tel.: +967 1 - 246 567
Fax: +967 1 - 263 710

AUSTRALIA / NEW ZEALAND

AUSTRALIA

Endocorp Pty. Ltd.
P.O.Box 6343
Baulkham Hills Business Centre NSW
2153
Tel.: +61 2 - 885 05 000
Fax: +61 2 - 885 05 011

NEW ZEALAND

Downs Distributors Ltd.
9 Airborne Road
North Harbour
Auckland
Tel.: +64 9 - 415 9 555
Fax: +64 9 - 415 6 400

EUROPE

Bulgaria

Hellimed Bulgaria Ges.m.b.H.
Tzarigradsko Chaussee-Str. 125
Bl. 4, Et. 1
1113 Sofia
Tel.: +359 2 - 971 2 460
Fax: +359 2 - 971 3 260

Croatia*

Hospitalija
Amruseva 6
10000 Zagreb
Tel.: +385 1 - 456 0 580
Fax: +385 1 - 432 1 66

CR

HOSPIMED spol. s.r.o.
Na rovnosti 5
13000 Praha 3
Tel.: +420 2 - 684 4 582-3
Fax: +420 2 - 684 2 519

Denmark

DEMA A/S
Postboks 1605
Jydeholmen 15
2720 Vanlose
Tel.: +45 - 387 18 000
Fax: +45 - 387 18 007

Finland

Mediteknikka OY
Kutojantie 11
02630 Espoo
Tel.: +358 - 945 20 840
Fax: +358 - 945 20 8460

INSTRUMENTARIUM CORP.

INSTRUMED
P.O.Box 63 (Viihikka 1)
02631 Espoo
Tel.: +358 - 952 82 236
Fax: +358 - 952 4 144

Greece

Nicos Papapostolou Ltd.
45, Al Svolou Str.
54621 Thessaloniki
Tel.: +30 31 - 233 251
Fax: +30 31 - 265 731
Nicos Papapostolou Ltd.

93 Ethnikis Antistseos Str.
15451 Neo Psychiko
Athens
Tel.: +30 1 - 677 4 700
Fax: +30 1 - 677 4 805

GUWEG

OWEG
Bauernmarkt 24
1010 Wien
Austria
Tel.: +43 1 - 533 3 467
Fax: +43 1 - 533 4 292

OWEG GmbH Nachf. KG
Ul. Mischina 35
125083 Moskau
Tel.: +7 095 - 212 3 291
Fax: +7 095 - 212 2 078

Hungary*

Hör-Ka-Elektronikai Kft
Zöldlomb u.46.
1025 Budapest
Tel.: +36 1 - 188 3 725
Fax: +36 1 - 335 6 028

Iceland

A. Karissson H.F.
Brautarholtii 28
P.O.Box 167
121 Reykjavik
Tel.: +354 - 560 0 900
Fax: +354 - 560 0 901

Ireland

Eurosurgical Ltd.
13, Churchtown Business Park,
Beaumont Avenue,
Churchtown
Dublin 14
Tel.: +353 1 - 296 0 101
Fax: +353 1 - 296 0 108

Italy

Movi S. p. A.
Via Dione Cassio, 15
20138 Milano
Tel.: +39 02 - 509 051
Fax: +39 02 - 506 1 048

Movi S. p. A.

Ufficio do Roma
Via Nicola Marchese, 10
00141 Roma
Tel.: +39 06 - 868 00 337
Fax: +39 06 - 820 85 868

Luxembourg

meditec
Jürgen Heckmanns
10, Rue du Commerce
5954 Itzig
Tel.: +352 - 369 7 171
Fax: +352 - 367 3 22

Rep. of Macedonia

NET Electronics
Post Restant 91060
Darce Petrov
91000 Skopje
Tel.: +389 91 - 361 950
Fax: +389 91 - 255 958

Malta

Pharma-Cos Ltd.
"Pharma-Cos House"
Triaq C. Portanier,
Santa Venera HMR
Tel.: +356 - 441 870
Fax: +356 - 441 388

Netherlands

Stöpler Instrumenten + Apparaten B. V.
P.O.Box 2445
3500 GK-Utrecht
Tel.: +31 30 - 264 4 911
Fax: +31 30 - 262 2 593

Norway

Dirr. Mehn-Anderson AS

Medical and Surgical Technologies
P.O.Box 2403
5037 Solheimsvik - Bergen
Tel.: +47 - 555 94 300
Fax: +47 - 555 94 330
E-mail: info@dma.no

Poland

INTER ASAME
ul. Lubeckiego 2
60-348 Poznan
Tel.: +48 618 - 671 235
Fax: +48 618 - 615 472

Portugal

MEDICINALIA S.A.
Rua do Proletariado
Quinta do Paizinho
2795 Carnaxide
Tel.: +351 1 - 424 7 300
Fax: +351 1 - 417 6 484

Romania

Hellimed Romania S.R.L.
Str. Naum Ramniceanu Nr. 2-4
Bl. 5 Ap 17, etj. 4, sector 1
Bucuresti 71229
Tel.: +40 1 - 312 0 345
Fax: +40 1 - 312 0 347

Rep. of Serbia

BEOLEK
Export - Import
PC-Uisce-, Bulevar Lenjlna 6
Novi Beograd
Tel.: +381 11 - 629 575
Fax: +381 11 - 633 592
E-mail: beolek@eunet.yu

Spain

ENDOSCOPIA MÉDICA S.A.
c/ Aragoneses, 2
Polígono Industrial Alcobendas
28108 Alcobendas (Madrid)
Tel.: +34 902 - 400 008
Fax: +34 91 - 661 9 813

SR

HOSPIMED-SLOVAKIA spol. s.r.o.
Orenburská 44
82106 Bratislava
Tel.: +42 17 - 552 4 923
Fax: +42 17 - 552 4 922

Sweden

Kunghusen Medicinska AB
Box 94
64700 Mariefred
Tel.: +46 1 - 591 2 020
Fax: +46 1 - 591 2 388
E-mail: mail@kunghusen.se

Switzerland

TREIER ENDOSCOPIE AG
Chrüzmat, Postfach 54
6215 Beromünster
Tel.: +41 41 - 930 2 323
Fax: +41 41 - 930 3 727

Turkey

P C K
Electronic Industry and Trade Co., Ltd.
Turan Günes Blv. Konrad Adenauer Cad.
59/1
Sancak, Çankaya
06550 Ankara
Tel.: +90 312 - 442 5 640
Fax: +90 312 - 442 5 641
NEW - 07/09/1999

NORTH AND SOUTH AMERICA

Argentina

Cicas S.R.L.
Montevideo 464-1°, Piso
Buenos Aires
Tel.: +54 1 - 373 5 362

Bolivia

Biolecnco

Calle Cuéllar No. 447
Santa Cruz
Tel.: +591 3 - 362 910
Fax: +591 3 - 325 399

Brasil

Pro Medico Industria Ltda.
Rua Itapirú 1292 - Rio Comprido
Caixa Postal 1781
CEP 20251 Rio de Janeiro - RJ
Tel.: +55 21 - 502 8 200
Fax: +55 21 - 293 4 746

Canada

ULTRAMED
50 Steeles Avenue East
Milton, Ontario. CANADA L9T 4W9
Tel.: +1 905 - 878 4 400
Fax: +1 905 - 878 5 044

Chile

ATM/Alta Tecnologia Medica S.A.
Eliodoro Yanez 2450
Providencia Santiago
Santiago / Chile
Tel.: +56 2 - 335 1 810
Fax: +56 2 - 335 1 811

Colombia

MEDITEC S.A.
Apartado Aereo 13720
Carrera 20 No. 40-40
Bogota
Tel.: +57 1 - 338 1 177
Fax: +57 1 - 287 2 118

Costa Rica

Multiservicios Electromedicos S.A./E/S
Apdo. 74 - 1005
San José
Tel.: +506 - 220 4 626
Fax: +506 - 231 6 829

Ecuador

Bioelectronica
BLANCO S.A.
Centro Comercial de Urdesa
P.O.Box 491
Guayaquil
Tel.: +593 4 - 881 569
Fax: +593 4 - 881 882

Mexico

DEWIMED S.A.
Av. Adolfo Ruiz Cortinez No. 5263
Col. Isidro Fabela
Delegación Tlalpan
14030 Mexico, D.F.
Tel.: +52 5 - 606 3 168
Fax: +52 5 - 606 0 520

Peru

Cirurgia Peruana S.A.
Av. Colonial 1255
Apartado 3624
Lima 1
Tel.: +51 1 - 337 0 106
Fax: +51 1 - 425 5 090
NEW - 09/08/1999

Uruguay

Gunfer Schaad
Casilla Correo 5078
Servando Gomez 2471
Montevideo
Tel.: +598 2 - 605 835
Fax: +598 2 - 619 837

Venezuela

Endomedics
M & M
Endoscopia Medica C.A.
Paseo Enrique Eraso
Torre La Noria Mezzanina
Sector San Roman de las Mercedes
Las Mercedes
1060 Caracas
Tel.: +58 2 - 915 144
Fax: +58 2 - 920 414

Customer Information Service



Catalogs

Separate catalogs are available for all medical fields.



New Product Sheets

You will find up-to-date, concise information about the latest developments in our new product sheets on our web site. www.richardwolfusa.com

Clinical Brochures

Brochures dealing with specific products and applications in our fields of specialization, provide you with a brief outline of a procedure and relevant information.

Please order the literature and information you require from our customer service department. 1 · 800 · 323 · WOLF (9653).

RICHARD WOLF MEDICAL INSTRUMENTS CORPORATION GENERAL TERMS AND CONDITIONS

All our quotations, sales and deliveries are subject to these General Terms and Conditions. Our General Terms and Conditions shall apply exclusively. Any terms and conditions of the Customer, which deviate from these General Terms and Conditions or provide additional terms, are hereby expressly rejected. Neither our failure to object to Customer's terms and conditions, nor our delivery of products, nor performance of services, shall be deemed an acceptance of any Customer's terms and conditions. These General Terms and Conditions shall also apply to any future transactions with the Customer.

Section 1 - General

- (1.1) Oral questions are subject to our written order confirmation.
- (1.2) Any orders by customer shall become effective only if confirmed by us in writing. Written quotations or order confirmations may only be modified or amended in writing.
- (1.3) All returns require our prior written authorization and are subject to a 15% restocking charge. Special order instruments are not returnable.
- (1.4) These General Terms and Conditions, including without limitation the limited warranty stated in Section 5 and the limitation of liability stated in Section 8, shall also apply to products and instruments that are supplied to Customer as samples, on loan or for demonstration purposes.

Section 2 - Delivery

- (2.1) Any time or date for delivery quoted by us shall begin to run only upon Customer's satisfaction of all Customer's obligations of cooperation, in particular clarification of all technical aspects. If we have quoted a definite delivery date, any delay caused by Customer shall extend the delivery date by an equivalent time.
- (2.2) Unless otherwise agreed, all deliveries are FOB our warehouse. Risk of loss shall in any event pass to Customer upon the earlier of (i) our notice that the products have been placed at Customer's disposal or (ii) when the products leave our warehouse.
- (2.3) At our option, delivery may be made in partial shipments.
- (2.4) All delivery dates are subject to change for any cause which is unforeseen or beyond our control or beyond the control of any of our suppliers or subcontractors, including, but not limited to, shortages of raw material or energy, mechanical breakdowns or damages to machinery, labor disturbances (strikes, lockouts), acts of God or other circumstances that significantly hinder or render impossible our performance. The occurrence of any of the foregoing events shall suspend performance of our obligations during the continuance of such event and shall extend the time or date for delivery a corresponding time period. If any of the aforesaid events continues for more than three (3) months, Customer may, after having given us a reasonable extension of time for delivery, cancel the order. In no event shall we be liable for any damages rising out of such a cancellation.
- (2.5) In the event of the Customer's failure to accept the ordered products, we shall, in addition to any other remedies we may have under applicable law, be entitled to (i) sell the products at any price we, in our sole discretion, shall deem acceptable or (ii) store the products, at Customer's expense, in a warehouse selected by us in our sole discretion.

Section 3 - Prices, Payment

- (3.1) Except as otherwise expressly agreed upon, our prices are net prices, FOB our warehouse. Any sales taxes or similar governmental charges, and any expenses, freight, packaging, insurance and assembly will be charged in addition. Packaging material will be charged at cost price.
- (3.2) Unless otherwise provided in the order confirmation, the purchase price shall be payable within thirty (30) days of the order date.
- (3.3) Payment shall not be deemed to have been received by us unless and until the respective amounts have been finally credited to us. All banks fees and charges shall be borne by Customer.
- (3.4) Upon the Customer's failure to make payments when they are due, unpaid amounts shall bear interest at the rate of two (2) percentage points over the prevailing prime rate of the Harris Bank, Chicago.
- (3.5) If we, in our reasonable discretion, shall determine that the financial condition of Customer at any time jeopardizes Customer's ability to perform any of its obligations to us, we may require cash payment, immediate payment of the entire balance, and/or furnishing of collateral satisfactory to us.
- (3.6) Customer's failure to pay timely and fully any invoice shall operate to make all our other outstanding invoices to Customer immediately due and payable and, at our sole discretion, shall be grounds for cancellation of any further performance by us.
- (3.7) Our receipt and acceptance of partial payments shall not constitute a waiver of any of our rights set forth herein or available to us under applicable law.
- (3.8) Any collection expenses, including reasonable attorney's fees, shall be borne by Customer.

Section 4 - Grant of Security Interest

- (4.1) Customer hereby grants to us security interest(s) in all products sold to Customer, including any replacement parts or accessories thereto, currently or hereafter held by Customer (including any returned or repossessed products), and in any proceeds therefrom (including proceeds which Customer received as payment from an insurer or third party, for or as a result of the partial damage or loss of the products), to secure payment of the entire purchase price for all products currently, previously or hereafter delivered by us to Customer and secure all costs, expenses or other charges payable by Customer to us.
- (4.2) Customer shall execute and deliver such instruments, in particular financing statements, as shall be required by us to perfect our security interest(s) in the products.
- (4.3) Customer hereby authorizes us to prepare, execute, deliver and file on behalf of Customer any and all documents required or necessary to create, perfect, preserve and enforce our security interest(s) in the products.
- (4.4) Any collection expenses incurred by us shall be borne by Customer. Such collection expenses shall include our reasonable costs and expenses (including reasonable attorney's fees and court costs) for pursuing, searching for, receiving, taking, keeping, storing, advertising and selling the products as well as any deficiency resulting from a sale of the products. The reasonable costs and expenses (including reasonable attorney's fees and court costs) incurred by us in any defense against third party claims to the product shall also become part of the Customer's indebtedness to us.

- (4.5) For the duration of any security interest(s) so retained by us, Customer shall insure the products for their full value against all risks customarily insured against in Customer's industry, and the respective insurance policies of Customer shall name us as an additional insured.

Section 5 - Limited Warranty

- (5.1) Subject to the other clauses contained in the Section 5, we warrant that our products are free from defects in workmanship and materials under normal use and service, excepting ordinary wear and tear, and inappropriate, incorrect or excessive use or application.
- (5.2) Customer must inspect all products delivered without delay and notify us in writing of any defects. We shall not be liable in any way if Customer fails to inspect the products upon receipt or fails to notify us in writing of any defect within seven (7) days of delivery.
- (5.3) In the event that we agree that a defect exists, we will, at our sole discretion, correct the same by repairing the defect in the products or by delivering replacement products.
- (5.4) The cleaning fee provided for in Section 6.5 shall also apply to returns for products under warranty.
- (5.5) This warranty does not cover damages or defects caused by or resulting from (i) unauthorized repairs, service, maintenance, alterations, or modifications of the products, except as authorized by us (ii) negligence, accident, abuse, misuse, improper, unsuitable or abnormal usage or maintenance of the products, (iii) failure to conform strictly to our specifications and instructions with respect to the installation, operation, use, maintenance and/or repair of the products, including replacement of any parts unless authorized by us and by a part supplied or specified by us, (iv) exposure of the products to unreasonable temperatures or conditions, and (v) maintenance and usage past the normal life span of the products.
- (5.6) Subject to Section 6.6, all warranties hereunder shall remain in effect for a period of one (1) year after the date of delivery, with the exception of video cameras (2-years) and Bi-polar cables (90 days). Video accessories manufactured by other parties carry the original manufacturer's warranties.
- (5.7) THE REMEDIES AND EXCLUSIONS SET FORTH IN THIS SECTION 5 ARE CUSTOMERS SOLE AND EXCLUSIVE REMEDIES IN THE EVENT OF ANY BREACH OF THE WARRANTIES PROVIDED ABOVE. EXCEPT FOR THE WARRANTY PROVIDED ABOVE WE DISCLAIM ANY AND ALL OTHER EXPRESS OR IMPLIED WARRANTIES WITH RESPECT TO THE PRODUCTS, AND ANY WARRANTY OF MERCHANTABILITY OR FITNESS FOR A PARTICULAR PURPOSE IS HEREBY EXPRESSLY DISCLAIMED.

Section 6 - Repair, Replacement and Spare Parts

- (6.1) REPAIRS MADE BY US AND PARTS DELIVERED SEPARATELY BY US ARE SUBJECT TO ALL OF THESE GENERAL TERMS AND CONDITIONS, INCLUDING WITHOUT LIMITATION THE LIMITED WARRANTY STATED IN SECTION 5 AND THE LIMITATION OF LIABILITY STATED IN SECTION 8.
- (6.2) Any necessary or desired repair of and/or part replacement in our products may only be handled by us, unless we have expressly authorized Customer to do so in writing. If we have so authorized Customer, (i) products must only be repaired in strict conformance with our specifications and instructions and (ii) parts must only be replaced by parts supplied or specified by us and in strict conformance with our specifications and instructions, in each case including post-repair and/or post replacement testing and recalibration. Failure to follow this requirement can be dangerous to Customer, Customer's personnel and Customer's patients and voids the warranty for the product repaired or in which the part was replaced and, if the part was supplied by us, for that part.
- (6.3) Unless we have expressly authorized a repair and/or part replacement by Customer, and if Customer fails to follow the other procedures provided in Section 6.2, we shall not incur any liability whatsoever based on the repair of or the replacement of parts in our products by Customer or by third parties.
- (6.4) Delivery by us of technical documents such as circuit or other design diagrams does not constitute authorization for replacement of parts or for repair.
- (6.5) WE REQUIRE THAT ALL INSTRUMENTS BE CLEANED AND STERILIZED BEFORE BEING RETURNED TO US FOR REPAIR. INSTRUMENTS RECEIVED IN AN UNSANITARY CONDITION ARE SUBJECT TO A CLEANING FEE TO BE PAID BY CUSTOMER.
- (6.6) All warranties for repair work performed by us shall remain in effect for a period of six (6) months after the repaired product was returned to Customer.

Section 7 - Installation

- (7.1) Customer shall, at its own cost, provide all materials and incidentals including but not limited to, special electrical wiring and shall furnish all permits, licenses or other governmental authorizations necessary to permit installation and operation of our products in accordance with our specifications and with applicable laws.
- (7.2) We offer no warranty and assume no liability for the fitness or adequacy of the premises (or the utilities available at such premises) in which the products are to be installed, used or operated. Customer shall indemnify and hold us harmless against any loss, damage, or claim arising out of the condition of the premises or such utilities.

Section 8 - Limitation of Liability

EXCEPT AS EXPRESSLY AGREED UPON, UNDER NO CIRCUMSTANCES SHALL WE HAVE ANY LIABILITY, WHETHER DIRECTLY OR BY WAY OF INDEMNITY, FOR SPECIAL, INCIDENTAL, INDIRECT, CONSEQUENTIAL, PUNITIVE, EXEMPLARY OR OTHER DAMAGES, INCLUDING BUT NOT LIMITED TO DAMAGES FOR INJURIES TO PERSONS OR TO PROPERTY OR LOSS OF FUTURE BUSINESS OR REPUTATION, WHETHER BASED ON BREACH OF CONTRACT, WARRANTY, TORT, STRICT OR PRODUCTS LIABILITY, INFRINGEMENT OF PATENTS, TRADE SECRETS, TRADEMARKS, COPYRIGHTS OR OTHER PROPRIETARY RIGHTS OR ANY OTHER LEGAL THEORY IN CONNECTION WITH THE PURCHASE, INSTALLATION OR USE OF THE PRODUCTS OR IN CONNECTION WITH OUR PERFORMANCE UNDER OUR ORDER CONFIRMATION, THESE GENERAL TERMS AND CONDITIONS, OR ANY BREACH OR DEFAULT THEREUNDER OR HEREUNDER.

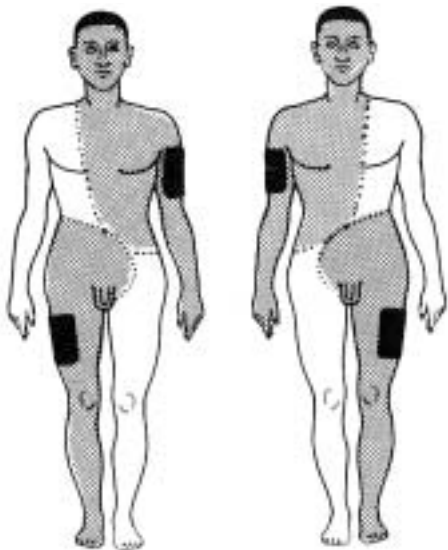
Section 9 - Applicable Law Venue, Severability

- (9.1) The business relationship between us and the Customer shall be governed by, and construed in accordance with, the laws of Illinois without giving effect to its conflict of laws provisions.
- (9.2) The invalidity or unenforceability of any one or more provisions of these General Terms and Conditions shall not effect the validity or enforceability of the remaining provisions hereof.

For Application of HF-Instruments ... with unipolar high frequency connection

In instruments with unipolar connection the high frequency current flows through an electrode with small surface area into the tissue with a high current density. Once a certain current density is achieved, coagulating will occur. The current returns over large cross sections of tissue - without coagulating effect - to the large area patient grounding pad/plate and finally back to the high frequency generator via the cable connection.

1. The maximum output power of the unit must match the application. Units with very high output power may not be able to be finely adjusted in the lower power ranges. In gastroenterology, gynecology and ENT, the unipolar output power should not exceed 120 watts, or in units with coagulation current source incorporated for blended current, 170 watts.
For urologic resection, units with 300-400 watts of matched output circuit for aqueous cutting are required. The neutral electrode should be grounded for high frequency current (no floating output).
2. **Neutral electrode:** Do not use any bent or misshapen grounding pads / plates—fasten the pad to the patient's upper thigh. Ensure large-area contact with clean, hairless skin. It is beneficial to wipe the skin in advance with water. The patient should not come into contact with other metal parts (e.g. operating table, retainers) or damp materials (e.g. damp drapes or gowns).

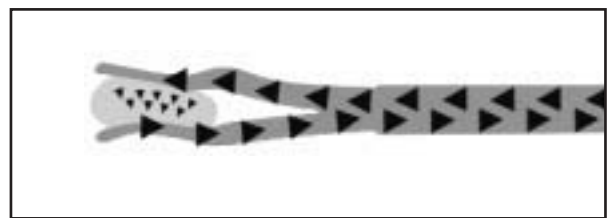


3. **Connection cables** to the neutral and active electrodes must be in good condition. The cables must be checked for current passage and for undamaged insulation and connecting plugs. Cables which are disinfected by soaking should be wiped dry inside and outside using a sterilized cloth. Connection cables supplied by Richard Wolf should be used.
4. If the patient is simultaneously connected to the high-frequency unit and a monitoring unit (e.g. ECG), special attention must be paid to the following: if both units are operated with grounded neutral electrodes, the neutral ECG cable must also be connected to the neutral surgery electrode. The high-frequency unit must not be used in the close vicinity of the ECG electrode (minimum distance 6 inches).
5. The **insulation** of the instruments and electrodes must be checked for damage prior to use. Damaged instruments and electrodes (even small marks or defects) may no longer be used. Touch plastic coated handles with rubber gloves only.
6. The **power** on the unit should be set only as high as is required for the operation. Baseline values should be obtained extracorporeally.
If the required coagulation or cutting effect is not achieved at the usual setting, the power may be increased, provided that: the neutral electrode is firmly in position; all lines and plug connections are in perfect condition; the instrument insulation has been checked; the metallic parts of the instruments and electrodes acting as the electrode are perfectly clean.
7. **High frequency** current should be used in body cavities in which endogenous combustible gases are present (e.g. in the rectum) only if complete removal of these gases or rinsing with CO₂ is accomplished. N₂O is not flammable but aids combustion and, therefore, must not be used for rinsing in such cases.

The following points must be observed in order to prevent accidental coagulation:

- Do not turn the frequency current on until the instrument or electrode is in place on the tissue to be coagulated or cut.
 - The live high-frequency electrode must not come into contact with any metallic parts of the endoscope.
 - The tissue sections grasped by the high-frequency forceps or loop must not contact small areas of adjacent tissue.
 - Tissue sections in strands (e.g. adhesions) should be coagulated at the thinnest point. If this is not achieved, secondary coagulation may occur at this thin point due to the high current density.
8. Special care should be taken when using high-frequency instruments or electrodes on patients with pacemakers or electrodes. It is possible that the pacemaker will either be irreparably damaged or that its functioning will be affected (ventricular flutter).
 9. **Information** provided by the instrument manufacturer should always be consulted and followed.

... with bipolar high frequency connections



1. Use only high frequency electrosurgical units with a separate bipolar output circuit. The output for bipolar applications should be in the range of 40 to 80 watts. We recommend use of combined units with unipolar output circuit (maximum 120, and/or 170 watts and grounded electrode) and separate bipolar output circuit to control possible complications with the unipolar technique.
2. The patient grounding pad is not necessary for the bipolar technique when using a combined unit as recommended above. However, the pad should always be attached in preparation for use of instruments with unipolar connection (Attaching of patient pad is described in paragraph 2 above).
3. Connection cables of bipolar instruments must be in perfect condition and be checked for solid electrical connection and undamaged insulation and plugs.
4. **Insulation** of bipolar instruments must be checked before using them. Defective instruments must not be used.
5. **Set power** on the electrosurgical unit only as high as required for the application. Test the proper setting extracorporeally prior to application.
If necessary, the power may be increased, provided that:
 - Insulation of the instrument has been checked.
 - All cable connections and plugs are perfect.
 - The metal parts of the instruments are clean and free of debris.
6. **High frequency** current should be used in body cavities in which endogenous combustible gases are present (e.g. in the rectum) only if complete removal of these gases or rinsing with CO₂ is accomplished. N₂O is not flammable but aids combustion and, therefore, must not be used for rinsing in such cases.

The following points must be observed in order to prevent accidental coagulation:

- Do not turn the frequency current on until the instrument or electrode is in place on the tissue to be coagulated or cut.
 - The live high-frequency electrode must not come into contact with any metallic parts of the endoscope.
 - The tissue sections grasped by the high-frequency forceps or loop must not contact small areas of adjacent tissue.
 - Tissue sections in strands (e.g. adhesions) should be coagulated at the thinnest point. If this is not achieved, secondary coagulation may occur at this thin point due to the high current density.
7. Information provided by the instrument manufacturer should always be consulted and followed.

FAX-Reply

Sender:

Enquiries to:

Receiver: **Richard Wolf Medical Instruments Corporation**

Fax-No.: **847 - 913 - 6959**

Date: Pages:

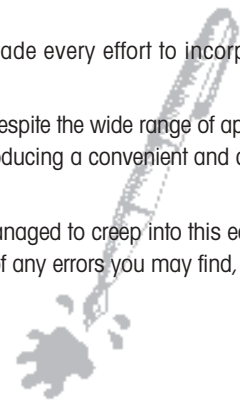
"Corrections" and Suggested Improvements

You now have had the opportunity to review the updated Richard Wolf Urology catalog. We have made every effort to incorporate new ideas and practical solutions in its structure and layout.

We have taken into account numerous suggestions from our customers, users and Wolf sales personnel. Despite the wide range of applications within endoscopy and the large number of individual products, we feel that we have succeeded in producing a convenient and clearly structured catalog.

With such a large and complicated undertaking, it would be surprising if a few "bugs" (errors) had not managed to creep into this edition. We apologize if any got through! If you could find the time, we would be grateful if you would let us know of any errors you may find, using the form below. Any suggestions for improvement of the catalog would also be very welcome.

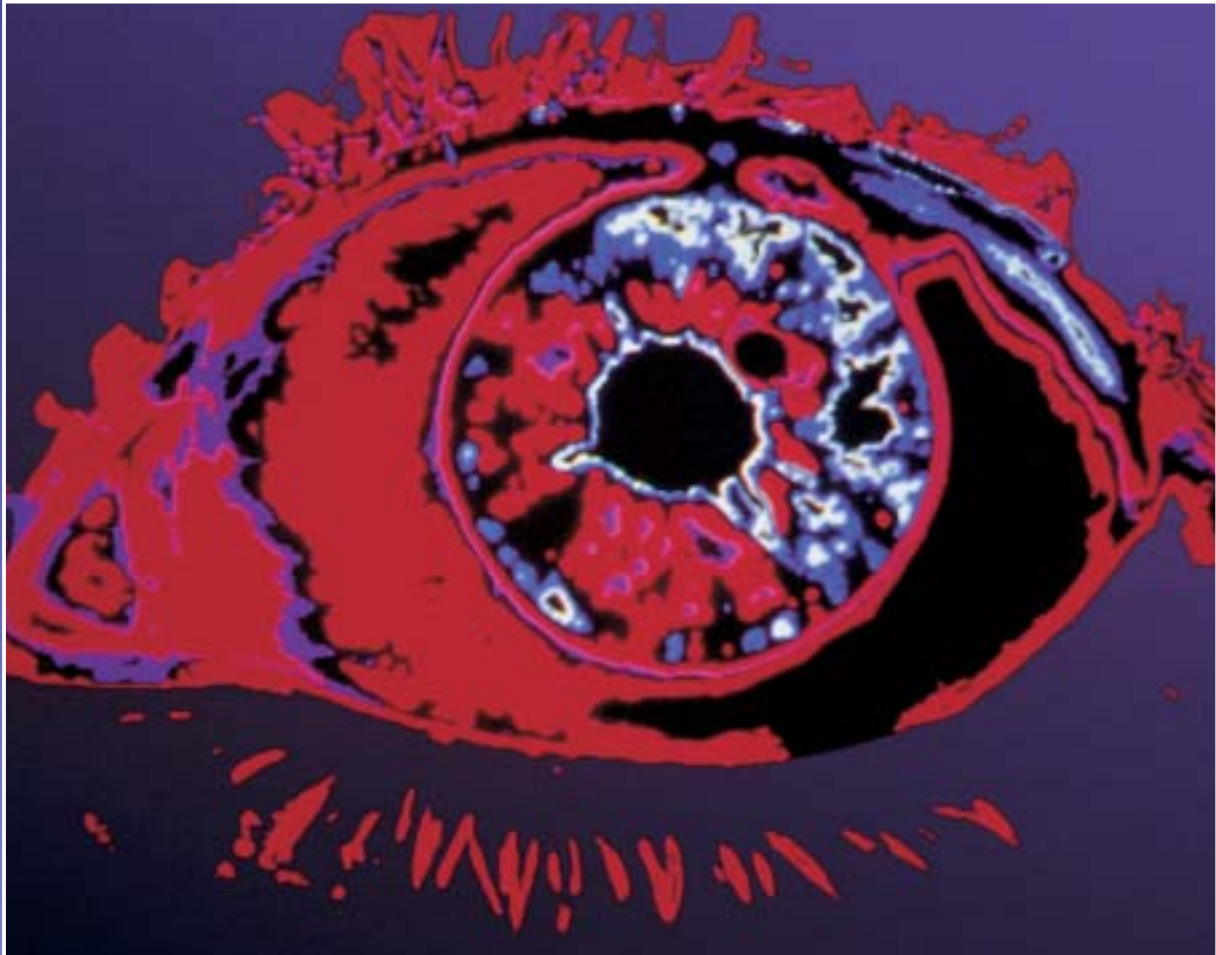
Thank you in advance for your assistance.



Errors

Page	Part Number / Text	Comment

Suggested improvements:



Index

Alpha and Numeric Indexs

.....
Urology Alpha Index
.....

.....
Urology Numeric Index
.....

0

1

2

Description	Product #	Page #
1/4" wrench	74003.009	Litho 5.1
Adapter with luer connectors	7305.781	PCN 6.1
Adapter, Lasersonics	8751.913	Lap 13.2
Adapter, irrigation	8964.711	PCN 4.2
Adapter, 1x3 Fr cap.	8677.26	Ped 7.1
Adapter, bridge for 8626.431	8625.315	Ped 4.4
Adapter, Coherent	8751.904	Lap 13.2
Adapter, conical, irrigation, 3 mm, female	880.00	Acc 6.1
Adapter, conical, irrigation, 4 mm, female	880.01	Acc 6.1
Adapter, Cooper	8751.905	Lap 13.2
Adapter, dual luer connectors	7305.781	Cys 6.1
		Ped 5.1
		Las 9.1
		URS 12.1
		URS 12.2
Adapter, HF-instrument, for HF cable 8106	8106.815	Lap 16.13
Adapter, insertion for 3 mm instruments	8950.70	Lap 8.8
Adapter, instrument/irrigation ports	7305.782	Las 9.1
		PCN 6.1
		Lap 2.10
		Cys 6.1
		Ped 5.1
Adapter, single channel	8672.26	Ped 3.2
Adapter, single channel	8688.26	Ped 6.1
		Ped 7.2
Adapter, single channel	8954.765	Cys 8.1
Adapter, single channel, 3 mm luer adapter	8721.701	Ped 8.1
Adapter, single channel, shut-off valve	8954.765	Ped 8.1
Adapter, single instrument port	8652.264	Res 15.2
Adapter, suction / irrigation, 2 way tap	8383.819	Lap 8.5

Description	Product #	Page #
Adapter, tube set, universal	886.231	Lap 16.2
		Lap 16.3
Adapter, Xanar	8751.902	Lap 13.2
Adaptor, evacuator, B cone	8558.14	Acc 5.2
Adaptor, evacuator, C cone	8558.24	Acc 5.2
Adaptor, irrigation	822.60	Acc 5.2
Adaptor, single channel, 3 Fr insert cap	8677.26	URS 10.1
		URS 10.2
Adaptor, Toomey syringes, B cone	845.11	Acc 5.2
Albarran deflector, double channel	8672.22	Ped 3.2
Albarran deflector, single channel	8672.21	Ped 3.2
Anti-fogging solution, sterile	102.01	Lap 16.9
Applicator, Hulka clip, 7 mm Ø, 440 mm WL	8388.84	Lap 15.3
Applicator, Hulka clip, 7 mm Ø, 300 mm WL	8387.84	Lap 15.3
Applicator, for suturing, 5 mm Ø, 155 mm WL	8383.78	Lap 11.2
Ball valve, for 3.5-5.5 mm trocars	8921.901	Lap 3.24
		Lap 3.2
		Lap 3.3
Ball valve, for 7-12.5 mm trocars	8923.901	Lap 3.24
		Lap 3.13
		Lap 3.14
		Lap 3.7
		Lap 3.9
Barrel, spare	822.93	Acc 5.2
Barrel, spare	822.94	Acc 5.2
Barrel, spare	822.97	Acc 5.2
Barrel, spare	846.93	Acc 5.2
Base cover	15135.252	Lap 3.24
Basket, stone, 3 Fr, 4-wire, 1200 mm WL	8137.334	URS 15.1
Basket, stone, 4 Fr, 4-wire, 700 mm WL	8137.344	URS 15.1
Bottle top, twist lock, with connections	2207.976	Res 18.1
		Litho 6.1

Description	Product #	Page #
Bougies à boule, 29-38 Fr	8595.29	Acc 4.2
Bougies à boule, 19-28 Fr	8595.19	Acc 4.2
Bougies à boule, 9-18 Fr	8595.09	Acc 4.2
Bougies à boule, OTIS, 24-38 Fr	8596.02	Acc 4.2
Bougies à boule, OTIS, 8-22 Fr	8596.01	Acc 4.2
Bougies, Dittel, metal, 10 Fr	8590.10	Acc 4.1
Bougies, Dittel, metal, 11 Fr	8590.11	Acc 4.1
Bougies, Dittel, metal, 12 Fr	8590.12	Acc 4.1
Bougies, Dittel, metal, 13 Fr	8590.13	Acc 4.1
Bougies, Dittel, metal, 14 Fr	8590.14	Acc 4.1
Bougies, Dittel, metal, 15 Fr	8590.15	Acc 4.1
Bougies, Dittel, metal, 16 Fr	8590.16	Acc 4.1
Bougies, Dittel, metal, 17 Fr	8590.17	Acc 4.1
Bougies, Dittel, metal, 18 Fr	8590.18	Acc 4.1
Bougies, Dittel, metal, 19 Fr	8590.19	Acc 4.1
Bougies, Dittel, metal, 20 Fr	8590.20	Acc 4.1
Bougies, Dittel, metal, 21 Fr	8590.21	Acc 4.1
Bougies, Dittel, metal, 22 Fr	8590.22	Acc 4.1
Bougies, Dittel, metal, 23 Fr	8590.23	Acc 4.1
Bougies, Dittel, metal, 24 Fr	8590.24	Acc 4.1
Bougies, Dittel, metal, 25 Fr	8590.25	Acc 4.1
Bougies, Dittel, metal, 26 Fr	8590.26	Acc 4.1
Bougies, Dittel, metal, 27 Fr	8590.27	Acc 4.1
Bougies, Dittel, metal, 28 Fr	8590.28	Acc 4.1
Bougies, Dittel, metal, 29 Fr	8590.29	Acc 4.1
Bougies, Dittel, metal, 30 Fr	8590.30	Acc 4.1
Bougies, Dittel, metal, 8 Fr	8590.08	Acc 4.1

Description	Product #	Page #
Bougies, Dittel, metal, 9 Fr	8590.09	Acc 4.1
Bougies, stainless steel, 12-26 Fr	8590.63	Acc 4.1
Bracket, key hole, 4 mm	8585.524	Ped 9.2
Bracket, key hole, 12 mm	8585.532	Ped 9.2
Bracket, key hole, 13 mm	8585.533	Ped 9.2
Bracket, key hole, 15 mm	8585.535	Ped 9.2
Bracket, mounting, for suction canisters	2215.992	Lap 16.8
Bracket, pass thru, 7 mm	8585.627	Ped 9.2
Bridge, adapter double channel	8650.284	Cys 3.1
		Cys 4.1
Bridge, adapter, single channel	8650.264	Cys 3.1
		Cys 4.1
Bridge, Albarran deflector, double channel	8650.204	Cys 3.2
		Cys 4.2
Bridge, Albarran deflector, double channel	8660.224	Cys 7.1
Bridge, Albarran deflector, single channel	8650.214	Cys 3.2
Bridge, Albarran deflector, single channel	8652.214	Cys 4.2
Bridge, Albarran deflector, single port, 1x15 Fr	8650.27	Cys 3.5
Bridge, single channel, 1 x 15 Fr.	8650.294	Cys 3.5
Bridge, single port	8660.264	Cys 7.1
Bridge, stabilization, 7 Fr. cap.	8632.281 S01	Res 15.2
Bridge, stabilization, 7 Fr. cap.	8654.911	Res 15.2
Bridge, adapter, exam only	8650.254	Cys 3.1
Bridge, adapter, exam only	8652.254	Cys 4.1
Cable, bipolar, reuseable, Wolf to Wolf, 5 M	8108.051	Lap 16.12

Description	Product #	Page #
Cable, bipolar reusable, 9.8 ft	8108.031	Lap 6.3
		Lap 6.1
		Lap 6.2
		Lap 6.5
		Lap 6.6
		Lap 6.7
		Lap 6.8
		Lap 6.9
		Lap 6.10
		Lap 6.11
		Lap 6.12
		Lap 16.11
		Lap 16.12
		Lap 6.4
Cable, bipolar, Wolf to Erbe, 3 M	8108.032	Lap 16.12
Cable, bipolar, Wolf to Eschmann, 3 M	8108.034	Lap 16.12
Cable, bipolar, Wolf to Valley Lab, 3 M	8108.033	Lap 16.12
Cable, bipolar, Wolf to Valley Lab, for tweezers, 3 M	8108.133	Lap 16.12
Cable, bipolar, single-use, sterile, 9.8 ft, 10/box	8108.011	Lap 16.11
		Lap 6.1
		Lap 6.2
		Lap 6.3
		Lap 6.4
		Lap 6.5
		Lap 6.6
		Lap 6.7
		Lap 6.8
		Lap 6.9
		Lap 6.10
		Lap 6.11
		Lap 6.12
		Lap 16.12
Cable, bipolar, reusable, Wolf to Wolf, for tweezers, 3 M	8108.131	Lap 16.12
Cable, BNC	5352.56	Lap 16.2
		Lap 16.3
Cable, CAN-bus connection	103.701	Res 18.1
		Litho 5.1
		Litho 6.1
Cable, detachable, for handle	8386.305	Lap 14.1

Description	Product #	Page #
Cable, HF monopolar, Bovie connection, 3M	815.033	PCN 7.1
		Res 3.1
		Ped 7.2
		Lap 16.13
		Lap 16.14
		Lap 8.9
		Lap 7.1
		Res 3.3
		Res 4.1
		Res 4.3
		Res 5.1
		Res 5.3
		Res 6.1
		Res 6.3
Res 7.1		
Res 8.1		
Res 9.1		
Res 12.1		
Ped 7.1		
URS 10.1		
URS 10.2		
Cable, HF monopolar, Bovie connection, disposable, box/10	415.0030	Res 5.3
		Res 3.1
		Res 3.3
		Lap 16.13
		Lap 16.14
		Res 4.1
		Res 4.3
		Res 5.1
		Res 6.1
		Res 7.1
		Res 8.1
		Res 12.1
		URS 10.1
		URS 10.2
Ped 7.1		
(cont.)	415.0030	Ped 7.2
Lap 7.1		
Lap 8.9		
Cable, HF monopolar, Wolf to Bovie, 3 M	8106.033	Res 12.1
		Lap 4.1a
		Lap 4.1b
		Lap 4.2
		Lap 16.14
		Lap 4.3
Lap 4.4		

Description	Product #	Page #
Cable, HF monopolar, Wolf to Bovie, 3 M		Lap 4.5
		Lap 4.6
		Lap 4.7
		Lap 4.9
		Lap 4.10
		Lap 4.11
		Lap 4.12
		Lap 4.17
		Lap 4.18
		Lap 4.25
		Lap 4.26
		Lap 4.27
		Lap 4.28
		Lap 4.29
		Lap 5.1
		Lap 5.2
		Lap 5.3
		Lap 5.4
		Lap 7.2
		Cable, HF monopolar, Wolf to Bovie, disposable, 10/box, 3 M
Lap 4.1b		
Lap 16.14		
Lap 4.2		
Res 12.1		
Lap 4.3		
Lap 4.4		
Lap 4.5		
Lap 4.6		
Lap 4.7		
Lap 4.9		
Lap 4.10		
Lap 4.11		
Lap 4.12		
Lap 4.17		
Lap 4.18		
Lap 4.25		
Lap 4.26		
Lap 4.27		
Lap 4.28		
Lap 4.29		
Lap 5.1		
Lap 5.2		
Lap 5.3		
Lap 5.4		

Description	Product #	Page #
		Lap 7.2
		Lap 7.3
		Lap 8.6
		Lap 8.9
		Lap 16.13
Cable, HF monopolar, Wolf to Wolf, 3M	8106.132	Res 12.1
		Lap 4.1a
		Lap 4.1b
		Lap 4.2
		Lap 4.3
		Lap 4.4
		Lap 4.5
		Lap 4.6
		Lap 4.7
		Lap 4.9
		Lap 4.10
		Lap 16.13
		Lap 16.14
		Lap 4.11
		Lap 4.12
		Lap 4.17
		Lap 4.18
		Lap 4.25
		Lap 4.26
		Lap 4.27
Lap 4.28		
Lap 4.29		
Lap 5.1		
Lap 5.2		
Lap 5.3		
Lap 5.4		
Lap 7.2		
Lap 7.3		
Lap 8.6		
Lap 8.9		
Cable, HF monopolar, Wolf to Wolf, disposable, 10/box, 3 M	4106.1320	Lap 4.1a
		Res 12.1
		Lap 16.13
		Lap 4.1b
		Lap 4.2
		Lap 4.3
		Lap 4.4
		Lap 4.5
		Lap 4.6
		Lap 4.7
		Lap 4.9
		Lap 4.10
		Lap 4.11

Description	Product #	Page #
Cable, HF monopolar, Wolf to Wolf, disposable, 10/box, 3 M		Lap 4.12
		Lap 4.17
		Lap 4.18
		Lap 4.25
		Lap 4.26
		Lap 4.27
		Lap 4.28
		Lap 4.29
		Lap 5.1
		Lap 5.2
		Lap 5.3
		Lap 5.4
		Lap 7.2
		Lap 7.3
		Lap 8.6
		Lap 8.9
		Lap 16.14
Cable, HF, monopolar, Wolf to Bovie, 5M	8106.053	Lap 16.14
		Res 12.1
Cable, HF, monopolar, Wolf to Bovie, 5M	815.053	Lap 16.14
		Res 12.1
Cable, HF, monopolar, Wolf to Erbe, 5M	8106.152	Lap 16.14
		Res 12.1
Cable, HF monopolar, Wolf to Erbe, 5M	815.152	Res 12.1
		Lap 16.14
Cable, HF monopolar, Wolf to Wolf, 3M	815.132	Res 12.1
		Lap 8.9
		Lap 16.13
		Lap 16.14
Cable, S-video	5363.17	Lap 16.2
		Lap 16.3
Cable, synchronization for 2271 US Generator	2207.991	Res 18.1
(cont.)	2207.991	Litho 6.1
Canisters, suction, 3 L, w/ lids & tubes, 36/pkg	2215.972	Lap 16.8
Cannula, aspiration	8518.02	Res 17.1

Description	Product #	Page #
Cannula, aspiration / injection, 1.4/2.0 mm Ø, 240 mm WL	8309.241	Lap 12.1
Cannula, aspiration / injection, 3.5 mm Ø, 310 mm WL	8379.732	Lap 12.1
Cannula, aspiration/ injection, reusable	8652.775	Cys 8.1
Cannula, aspiration/ injection, sterile, box / 5, disposable	8652.7765	Cys 8.1
Cannula, biopsy, liver, 1.6/2.0 mm Ø, 240 mm WL	8309.261	Lap 12.1
		Lap 4.1a
Cannula, injection / aspiration, 1.4-2 mm Ø, 240 mm WL	8309.241	Lap 4.1a
Cannula, injection, 6 Fr, 525 mm WL	8640.16	Acc 11.1
Cannula, injection, 1.8 mm Ø, 450 mm WL	8384.65	Lap 12.2
Cannula, injection, 1.8 mm Ø, 345 mm WL	8383.65	Lap 12.2
Cannula, injection, flexible, 4.5 Fr, 300 mm WL	8616.951	Ped 4.3
		Acc 11.1
Cannula, injection, flexible, 4.5 Fr, 500 mm WL	8654.951	Acc 11.1
		Las 5.1
Cannula, injection, flexible, 6 Fr, 495 mm WL	831.06	Acc 11.1
Cannula, injection, Luer connector, 6 Fr	8640.16	Cys 5.2
Cannula, injection, puncture, 0.7 mm Ø, 345 mm WL	8383.60	Lap 12.2
Cannula, injection, puncture, 0.7 mm Ø, 450 mm WL	8384.60	Lap 12.2
Cannula, overflow, by Schmeller	8518.07	Res 17.1
Cannula, puncture, suction control, 5 mm Ø, 315 mm WL	8383.49	Lap 12.3
Cap Housing	15135.270	Lap 3.23

Description	Product #	Page #
Cap Housing		Lap 3.4
Cap, protection, set	8386.391	Lap 14.1
Carrying case	15583.556	URS 12.1
		URS 12.2
Catheter guide, lateral opening	8632.904	Las 3.1
Catheter introducer, Guyon's, 2.5 mm Ø	8577.00	Acc 5.1
Choledochotome, rigid, 10 mm Ø, 330 mm WL	8385.791	Lap 5.8
Clamp, penile, Stockmann	872.01	Acc 5.1
Clamp, penile, Strauss	872.00	Acc 5.1
Clamps, for holding I.V. pole	31110.902	Lap 16.8
Cleaning brush	7264.691	Lap 2.10
		Cys 6.1
		Las 9.1
		PCN 6.1
Cleaning brush	7321.911	Lap 2.10
		Ped 5.1
		URS 12.1
		URS 12.2
Cleaning rods, for transducer & perc probes	2167.508	Litho 5.3
Cleaning rods, for ureteral probes	2167.509	Litho 5.3
Clip Applicator, 10 mm Ø, 340 mm WL	8389.911	Lap 10.1
Collecting bottle	4172.501	Res 18.1
		Litho 6.1
Collecting bottle holder	2232.841	Litho 6.1
		Res 18.1
Collector, exchangeable solids, 3 mm	8663.91	Res 16.1
Compartment tray	8585.911	Ped 9.2
Connecting cable, EHL	2280.991	Litho 4.1
Connector, flexible, B cone	822.13	Acc 5.2
Connector, flexible, C cone	822.23	Acc 5.2
Connector, luer lock, 3 mm, female	891.00	Acc 6.1
Connector, luer lock, 3 mm, male	886.00	Acc 6.1
Connector, luer lock, 4 mm, female	891.01	Acc 6.1

Description	Product #	Page #
Connector, luer lock, 4 mm, male	886.01	Acc 6.1
Connector, rigid, B cone	822.14	Acc 5.2
Coupling device, direct	8751.DR	Lap 13.1
Cover, base	15135.080	Lap 3.23
Cover, base	15135.153	Lap 3.23
Curette, 22-24 Fr, 12°, 25°	8654.27	Res 14.1
Curette, 26-28 Fr, 12°, 25°	8654.29	Res 14.1
Cysto-urethroscope, integral, 1x5 Fr, 9.5 Fr, 116 mm WL	8626.431	Ped 4.4
Cysto-urethroscope, compact, 14 Fr	8642.403	Cys 5.1
		Las 6.1
Cysto-urethroscope, compact, 17 Fr	8645.403	Cys 5.1
		Las 6.1
Cysto-urethroscope, compact, 21 Fr	8645.413	Cys 5.1
Cysto-urethroscope, integral, 1x2.4 Fr, 4.5/6 Fr, 110 mm WL	4615.401	Ped 4.1
Cysto-urethroscope, integral, 1x4 Fr, 6/7.5 Fr, 140 mm WL	8616.411	Ped 4.2
Cysto-urethroscope, integral, 1x5 Fr, 10.5 Fr, 160 mm WL	8616.401	Ped 4.3
Dilator, hollow, flexible, metal, 10 Fr	8591.90	URS 18.1
Dilator, hollow, flexible, metal, 12 Fr	8591.92	URS 18.1
Dilator, hollow, flexible, metal, 14 Fr	8591.94	URS 18.1
Dilator, orifice, 15-30 Fr	8592.02	Acc 4.1
Dilator, orifice, 10-20 Fr	8592.01	Acc 4.1

Description	Product #	Page #
Dilator, telescopic, 9-18 Fr	8955.185	PCN 10.2
		PCN 3.2
Dilator, telescopic, 9-27 Fr	8955.27	PCN 3.2
Disc, stabilization, lateral opening	8518.93	Res 17.1
drive unit	2306.101	Lap 14.1
EHL probe, 2.4 Fr, 700 mm WL, sterile, 5/box	2280.325	Litho 4.3
EHL probe, 2.4 Fr, 1050 mm WL, sterile, 5/box	2280.425	Litho 4.3
EHL probe, 3.3 Fr, 700 mm WL, sterile, 5/box	2280.335	Litho 4.3
EHL probe, 3.3 Fr, 1050 mm WL, sterile, 5/box	2280.435	Litho 4.3
EHL probe, 5 Fr, 700 mm WL, sterile, 5/box	2280.1515	Litho 4.3
EHL probe, 9 Fr, 700 mm WL, sterile, 5/box	2280.0915	Litho 4.3
EHL shockwave generator	2280.004	Litho 4.1
Electrode, 180° curved coagulating, pediatric	8416.994	Ped 7.3
Electrode, 180° curved coagulating, pediatric	8688.994	Ped 7.3
Electrode, bipolar, ball, 5 mm Ø, 390 mm WL	8383.104	Lap 7.4
Electrode, bipolar, hook, 5 mm Ø, 390 mm WL	8383.102	Lap 7.4
Electrode, bipolar, needle, 5 mm Ø, 390 mm WL	8383.103	Lap 7.4
Electrode, button, 5 mm Ø, 330 mm WL	8383.40	Lap 7.3
Electrode, button, 5 mm Ø, 450 mm WL	8384.40	Lap 7.3
Electrode, button, 3 mm Ø, 320 mm WL	8379.40	Lap 7.2
Electrode, button, 3 mm Ø, 450 mm WL	8380.40	Lap 7.2

Description	Product #	Page #
Electrode, button, 3.5 mm Ø, 310 mm WL	8379.462	Lap 7.2
Electrode, button, flexible, coagulating, 5 Fr	823.05	Ped 4.4
		Cys 5.2
		Acc 11.1
Electrode, button, flexible, coagulating, 6 Fr	823.06	Cys 5.2
		Acc 11.1
		Lap 4.1a
		Lap 7.1
		Cys 3.5
Electrode, button, flexible, coagulating, 3 Fr, 920 mm WL	8741.80	URS 17.1
Electrode, button, flexible, coagulating, 5 Fr, 600 mm WL	8599.80	URS 17.1
Electrode, button, flexible, unipolar, 3 Fr, 260 mm WL	823.03	Acc 11.1
Electrode, button, flexible, unipolar, 3 Fr, 570 mm WL	823.031	Acc 11.1
Electrode, button, flexible, unipolar, 4 Fr, 400 mm WL	823.04	Acc 11.1
Electrode, button, flexible, unipolar, 8 Fr, 400 mm WL	823.08	Acc 11.1
Electrode, button, flexible, unipolar, 10 Fr, 400 mm WL	823.10	Acc 11.1
Electrode, coagulating	8724.911	URS 10.2
Electrode, coagulating ball, 22-28 Fr, 25°/12°	8408.02	Res 11.7
		Res 11.5
Electrode, coagulating ball, 21.5 Fr, 25°	8656.8025	Res 11.9
Electrode, coagulating, 16 Fr, 0°	8417.0105	Res 11.9
Electrode, coagulating, 22-28 Fr	8407.01	Res 11.5
Electrode, coagulating, infant	8688.91	Ped 7.3

Description	Product #	Page #
Electrode, coagulating, pediatric	8416.01	Ped 7.3
Electrode, coagulating, 22-24 Fr, 25°/12°	8423.0105	Res 11.7
Electrode, coagulating, 22-28 Fr, 0°/5°	8407.01	Res 11.7
Electrode, coagulating, 3 Fr, 920 mm WL	8741.80	URS 12.2
		Acc 11.1
Electrode, coagulating, sterile, 5/box, 22-24 Fr	8423.0105	Res 11.3
Electrode, coagulating, sterile, 5/box, 26-28 Fr	8427.0125	Res 11.3
Electrode, coagulation, 5 Fr, 600 mm WL	8599.80	Acc 11.1
Electrode, Collins knife, 21.5 Fr, 25°	8656.8035	Res 11.9
Electrode, Collins knife, 22-28 Fr	8420.19	Res 11.5
Electrode, Collins knife, sterile, 5/box, 22-24 Fr	8423.1905	Res 11.3
Electrode, Collins knife, sterile, 5/box, 26-28 Fr	8427.1925	Res 11.3
Electrode, cutting loop	8724.931	URS 10.2
Electrode, cutting loop, 0.3 mm, long, 24 Fr	8439.03	Res 11.11
Electrode, cutting loop, 0.3 mm, long, 26 Fr	8441.032	Res 11.11
Electrode, cutting loop, 0.35 mm, 21.5 Fr, 25°	8656.8010	Res 11.9
Electrode, cutting loop, 0.35 mm, 16 Fr, 0°	8418.0310	Res 11.9
Electrode, cutting loop, 0.4 mm, 24 Fr	8439.04	Res 11.11
Electrode, cutting loop, infant	8688.93	Ped 7.3
Electrode, cutting loop, pediatric	8416.03	Ped 7.3
Electrode, cutting, 0.3 mm, 24 Fr	8411.03	Res 11.5
Electrode, cutting, 0.4 mm, 24 Fr	8411.04	Res 11.5

Description	Product #	Page #
Electrode, cutting, 0.3 mm, 26 Fr, w/ guide fin	8412.032	Res 11.5
Electrode, cutting, 0.4 mm, 22 Fr	8409.04	Res 11.5
Electrode, cutting, 0.4 mm, 26-28 Fr, w/ guide fin	8412.04	Res 11.5
Electrode, cutting, 26 Fr	8412.03	Res 4.3
Electrode, cutting, 26 Fr	8412.032	Res 4.1
Electrode, cutting, 22 Fr	8409.03	Res 4.1
		Res 11.5
Electrode, cutting, 16 Fr	8418.03	Res 8.1
Electrode, cutting, 27 Fr	8411.351	Res 6.3
Electrode, cutting, 24 Fr	8411.03	Res 4.1
		Res 4.3
Electrode, cutting, long, 24 Fr	8439.03	Res 9.1
Electrode, cutting, long, 26 Fr	8441.032	Res 9.1
Electrode, cutting, oval, 0.35 mm, 25.5 Fr, 0°/5°	8412.351	Res 11.7
		Res 6.1
		Res 11.7
Electrode, cutting, oval, 0.35 mm, 25.5 Fr, 25°/12°	8426.3510	Res 11.7
		Res. 5.1
Electrode, cutting, oval, 0.35 mm, sterile, 10/box, 27 Fr, 25°/12°	8424.3510	Res 5.3
		Res 11.7
Electrode, cutting, sterile, 10/box, 22 Fr	8422.1310	Res 3.1
		Res 3.3
		Res 11.3
Electrode, cutting, sterile, 10/box, 22 Fr	8422.3510	Res 11.3
Electrode, cutting loop, sterile, 10/box, 24 Fr	8424.1310	PCN 7.1
		Res 3.1
		Res 3.3
		Res 11.3

Description	Product #	Page #
Electrode, cutting, sterile, 10/box, 24 Fr	8424.1410	Res 11.3
Electrode, cutting, sterile, 10/box, 24 Fr	8656.8010	Res 7.1
Electrode, cutting, sterile, 10/box, 26 Fr	8426.1320	Res 3.1
		Res 3.3
		Res 11.3
Electrode, cutting, sterile, 10/box, 26 Fr	8426.1420	Res 11.3
Electrode, cutting, sterile, 10/box, 28 Fr	8428.3510	Res 11.3
Electrode, EVAP pyramid-shaped, 24-28 Fr, 0°/5°	8407.131	Res 11.8
		Res 11.6
Electrode, EVAP pyramid-shaped, 24-28 Fr, 25°/12°	8423.1315	Res 11.8
		Res 11.4
Electrode, EVAP roller, barrel-shaped, 24-28 Fr	8410.031	Res 11.6
		Res 11.8
Electrode, EVAP roller, barrel-shaped, 24-28 Fr, 25°/12°	8423.0315	Res 11.8
		Res 11.4
Electrode, EVAP wing, 24 Fr	8411.151	Res 11.6
Electrode, EVAP wing, 24 Fr, 25°/12°	8424.4510	Res 11.8
Electrode, EVAP wing, 25.5 Fr, 0°/5°	8412.451	Res 11.8
Electrode, EVAP wing, 25.5 Fr, 25°/12°	8426.4510	Res 11.8
Electrode, EVAP wing, 26 Fr	8412.151	Res 11.6
Electrode, EVAP wing, sterile, 10/box, 22 Fr	8422.1510	Res 11.4
Electrode, EVAP wing, sterile, 10/box, 24 Fr	8424.1510	Res 11.4
Electrode, EVAP wing, sterile, 10/box, 26 Fr	8426.1510	Res 11.4

Description	Product #	Page #
Electrode, HF button, 5 mm Ø, 310 mm WL	8383.813	Lap 8.1
		Lap 8.5
Electrode, HF hooked, 5 mm Ø, 310 mm WL	8383.812	Lap 8.1
		Lap 8.5
Electrode, hook	8724.921	URS 10.2
Electrode, hook, 22-24 Fr, 25°/12°	8423.0905	Res 11.7
Electrode, hook, 22-28 Fr, 0°/5°	8420.09	Res 11.7
		Res 11.5
Electrode, hook, 5 mm Ø, 340 mm WL	8383.423	Lap 7.3
Electrode, hook, 5 mm Ø, 420 mm WL	8384.423	Lap 7.3
Electrode, hook, 3.5 mm Ø, 310 mm WL	8379.452	Lap 7.2
Electrode, hook, 2.4 Fr, 600 mm WL	823.221	Acc 11.2
Electrode, hook, 16 Fr, 0°	8417.0905	Res 11.9
Electrode, hook, pediatric	8416.09	Ped 7.3
Electrode, hook, flexible, 2.4 Fr, 600 mm WL	823.221	URS 17.1
Electrode, hook, flexible, 5 Fr, 600 mm WL	824.051	URS 17.1
Electrode, hook, infant	8688.95	Ped 7.3
Electrode, hook, sterile, 5/box, 22-24 Fr	8423.0905	Res 11.3
Electrode, hook, sterile, 5/box, 26-28 Fr	8427.0925	Res 11.3
Electrode, knife, 3 mm Ø, 320 mm WL	8379.41	Lap 7.2
Electrode, knife, 3 mm Ø, 450 mm WL	8380.41	Lap 7.2
Electrode, knife, 5 Fr, 445 mm WL	826.05	Acc 11.2
Electrode, loop, 10 Fr, 460 mm WL	837.10	Acc 11.2
Electrode, needle, 5 mm Ø, 340 mm WL	8383.426	Lap 7.3

Description	Product #	Page #
Electrode, needle, 5 Fr, 400 mm WL	824.05	Acc 11.2
Electrode, needle, 3.5 mm Ø, 310 mm WL	8379.482	Lap 7.2
Electrode, needle, 4 Fr, 400 mm WL	824.04	Acc 11.2
Electrode, needle, 3 Fr, 255 mm WL	824.03	Acc 11.2
		Ped 4.1
Electrode, needle, flexible, 5 Fr	824.05	Cys 5.2
Electrode, pyramid-shaped, 21.5 Fr	8656.8515	Res 11.10
Electrode, smaller roller ball, sterile, 5/box, 22-24 Fr	8422.4355	Res 11.3
		Res 11.7
Electrode, roller bar, coagulating, sterile, 5/box, 22-24 Fr	8423.0205	Res 11.3
		Res 11.7
Electrode, roller bar, coagulating, sterile, 5/box, 26-28 Fr	8427.0225	Res 11.3
Electrode, roller, large egg, sterile, 5/box, 22-24 Fr	8423.0235	Res 11.3
		Res 11.7
Electrode, roller, large, coagulating, 26-28 Fr	8413.02	Res 11.5
Electrode, roller, large, coagulating, 22-24 Fr	8410.02	Res 11.5
		Res 11.7
Electrode, spatula, 5 mm Ø, 340 mm WL	8383.428	Lap 7.3
Electrode, straight cutting, 22-28 Fr	8410.04	Res 11.5
Electrode, straight cutting, sterile, 5/box, 22-24 Fr	8423.0405	Res 11.3
Electrode, straight cutting, sterile, 5/box, 26 Fr	8427.0425	Res 11.3
Electrode, wing, 21.5 Fr	8656.8050	Res 11.10
Endodilator, 14 mm Ø, 55 mm WL	8386.001	Lap 3.20
Endoscope warmer	2320.002	Lap 16.9

Description	Product #	Page #
Endoscope, 1.9 mm Ø, 0°, enlarged image	8686.411	Ped 7.2
		Ped 6.1
		Ped 3.4
Endoscope, 1.9 mm Ø, 25°, enlarged image	8686.412	Ped 3.4
Endoscope, 2.7 mm Ø, 0°, enlarged image	8672.411	Ped 3.2
		Ped 7.1
		Ped 3.1
Endoscope, 2.7 mm Ø, 25°, enlarged image	8672.412	Ped 3.2
		Ped 3.1
Endoscope, 2.7 mm Ø, 70°, enlarged image	8672.413	Ped 3.1
		Ped 3.2
Endoscope, 3.3 mm Ø, 0°, enlarged image	8660.411	Cys 7.1
		Tome 2.1
		Res 8.1
Endoscope, 3.3 mm Ø, 70°, enlarged image	8660.412	Cys 7.1
Endoscope, enlarged image, 3.3 mm Ø, 25°	8656.411	Res 7.1
		Cys 7.1
Endoscope, fixed eyepiece, enlarged image, 4 mm Ø, 0°	8650.404	Res 4.1
		PCN 8.1
		Las 8.2
		Cys 4.1
		Cys 3.1
		Res 4.3
		Res 6.1
		Res 6.3
		Tome 3.1
Endoscope, 4 mm Ø, 12°, enlarged image	8654.411	Tome 3.1
		Las 3.1
		Las 5.1
		Res 3.1
		Res 3.3
		Res 5.1
		Res 5.3
		PCN 7.1
		PCN 8.1

Description	Product #	Page #
Endoscope, 4 mm Ø, 12°, enlarged image		Cys 4.1
		Cys 3.1
Endoscope, 4 mm Ø, 25°, enlarged image	8654.402	Cys 8.1
		Cys 3.1
		Res 3.1
		Res 3.3
		Res 5.1
		Cys 4.2
		Cys 3.2
		Las 3.1
		Las 5.1
		Las 8.1
		PCN 7.1
		Res 5.3
		Cys 4.1
		Cys 8.2
Endoscope, 4 mm Ø, 70°, enlarged image	8650.405	Cys 3.5
		Litho 10.1
		Cys 4.2
		Cys 3.1
		Cys 3.2
		Las 8.1
Endoscope, 4 mm Ø, 110°, enlarged image	8650.409	Cys 3.5
Endoscope, 4.8 mm Ø, exam only, 5°	8650.441	Res 15.2
		Cys 3.6
Endoscope, 4.8 mm Ø, exam only, 70°	8650.445	Res 15.2
		Cys 3.6
Endoscope, standard image, 4 mm Ø, 25°	8668.433	Res 9.1
Endoscope, operating, PANOVIEW PLUS, 20°, 225 mm WL	8632.411	Las 7.1
		Litho 7.1
Endoscope, flexible uretero-renaloscope, 7.5 Fr, 700 mm WL	7325.172	URS 12.1
(cont.)	7325.172	Lap 2.10
Endoscope, flexible, 2.5 mm Ø, 450 mm WL	7325.152	Lap 2.10
		URS 12.1

Description	Product #	Page #
Endoscope, flexible, 2.5 mm Ø, 200 mm WL	7325.122	Lap 2.10
		Ped 5.1
		URS 12.1
Endoscope, flexible uretero-renaloscope, 9 Fr, 700 mm WL	7330.072	URS 12.2
		Lap 2.10
Endoscope, flexible uretero-renaloscope, 9 Fr, 450 mm WL	7330.052	URS 12.2
		Lap 2.10
Endoscope, flexible Cysto/Nephro-scope, logical, 15 Fr, 400 mm WL	7305.001	Cys 6.1
		Las 9.1
		PCN 6.1
		Lap 2.10
Endoscope, flexible cysto-nephroscope, ergonomic, 15 Fr Ø, 400 mm WL	7305.006	Las 9.1
		PCN 6.1
		Lap 2.10
		Cys 6.1
Evacuator bulb, spare	8558.93	Acc 5.2
Evacuator, Elik	8558.03	Acc 5.2
Filter attachment, ND: Yag	8650.982	Las 8.1
		Las 9.1
Filter, high flow, single-use, 0.2 micron filter, 10/pkg	4171.111	Lap 16.2
		Lap 16.3
Filter, hydrophobic, for suction line, 1/pkg	4171.121	Lap 8.3
Filters, hygiene, sterile pack/10	2148.95	Res 18.1
Flow sensor	2207.966	Litho 6.1
		Res 18.1
Flow sensor cable	2207.961	Litho 6.1
		Res 18.1
Foot switch	2030.103	Lap 16.5
Forceps, 2/3 claw, "Grip Line", 10 mm Ø, 310 mm WL	8395.2047	Lap 4.29
Forceps, 3 prong grasper	8964.671	Litho 7.1
		PCN 4.2
		PCN 5.1

Description	Product #	Page #
Forceps, alligator, 3 mm Ø, 320 mm WL	8379.08	Lap 4.1c
Forceps, alligator, 10 mm Ø, 310 mm WL	8395.236	Lap 4.21
Forceps, alligator, 5 mm Ø, 315 mm WL	8383.08	Lap 4.15
Forceps, alligator, 10 mm Ø, 335 mm WL	8385.13	Lap 4.23
Forceps, alligator, "Grip Line", 5 mm Ø, 310 mm WL	8393.4159	Lap 4.26
Forceps, alligator, complete, 10 mm Ø, 310 mm WL	8395.2362	Lap 4.21
Forceps, alligator, rigid, 5 Fr, 430 mm WL	8959.68	Acc 9.3
		URS 14.1
Forceps, alligator, rigid, 5 Fr, 550 mm WL	8954.68	URS 14.1
Forceps, Anvil, 10 mm Ø, 370 mm WL	8397.655	Lap 4.22
Forceps, Anvil, complete, 10 mm Ø, 370 mm WL	8397.6552	Lap 4.22
Forceps, atraumatic, grasping, 2 mm Ø, 240 mm WL	8756.111	Lap 4.1a
Forceps, atraumatic, grooved plates, 5 mm Ø, 310 mm WL	8383.41	Lap 4.13
Forceps, Babcock, 5 mm Ø, 430 mm WL	8394.325	Lap 4.8
Forceps, Babcock, 5 mm Ø, 240 mm WL	8392.325	Lap 4.8
Forceps, Babcock, 5 mm Ø, 310 mm WL	8393.325	Lap 4.8
Forceps, Babcock, "Grip Line", 10 mm Ø, 310 mm WL	8395.2147	Lap 4.29
Forceps, Babcock, "Grip Line", 5 mm Ø, 310 mm WL	8393.3257	Lap 4.27

Description	Product #	Page #
Forceps, Babcock, 10 mm Ø, 310 mm WL	8395.214	Lap 4.20
Forceps, Babcock, 10 mm Ø, 290 mm WL	8385.611	Lap 4.23
Forceps, Babcock, 3.5 mm Ø, 240 mm WL	8390.255	Lap 4.2
Forceps, Babcock, 3.5 mm Ø, 310 mm WL	8391.255	Lap 4.2
Forceps, Babcock, complete, 10 mm Ø, 310 mm WL	8395.2142	Lap 4.20
Forceps, Babcock, complete, 3.5 mm Ø, 240 mm WL	8390.2554	Lap 4.2
Forceps, Babcock, complete, 3.5 mm Ø, 240 mm WL	8390.2555	Lap 4.2
Forceps, Babcock, complete, 3.5 mm Ø, 310 mm WL	8391.2554	Lap 4.2
Forceps, Babcock, complete, 3.5 mm Ø, 310 mm WL	8391.2555	Lap 4.2
Forceps, Babcock, complete, 5 mm Ø, 240 mm WL	8392.3252	Lap 4.8
Forceps, Babcock, complete, 5 mm Ø, 310 mm WL	8393.3252	Lap 4.8
Forceps, Babcock, complete, 5 mm Ø, 430 mm WL	8394.3252	Lap 4.8
Forceps, biopsy, 5 mm Ø, 310 mm WL	8393.405	Lap 4.9
Forceps, biopsy, 5 mm Ø, 430 mm WL	8394.405	Lap 4.9
Forceps, biopsy, 5 mm Ø, 450 mm WL	8384.124	Lap 4.11
Forceps, biopsy, 5 mm Ø, 320 mm WL	8383.124	Lap 4.11
Forceps, biopsy, complete, 5 mm Ø, 310 mm WL	8393.4053	Lap 4.9
Forceps, biopsy, complete, 5 mm Ø, 430 mm WL	8394.4053	Lap 4.9

Description	Product #	Page #
Forceps, biopsy, cutting action, 3.5 mm Ø, 310 mm WL	8391.405	Lap 4.3
Forceps, biopsy, cutting action, complete, 3.5 mm Ø, 310 mm WL	8391.4053	Lap 4.3
Forceps, biopsy, double spoon jaws, 5 mm Ø, 450 mm WL	8384.101	Lap 4.11
Forceps, biopsy, double spoon jaws, 5 mm Ø, 320 mm WL	8383.101	Lap 4.11
Forceps, biopsy, flexible, 3 Fr, 850 mm WL	7317.60	Lap 2.10
Forceps, biopsy, flexible, 3 Fr, 600 mm WL	7223.60	Ped 5.1
		Lap 2.10
Forceps, biopsy, "Grip Line", 5 mm Ø, 310 mm WL	8393.4058	Lap 4.28
Forceps, biopsy punch, 2 mm Ø, 240 mm WL	8756.011	Lap 4.1a
Forceps, biopsy punch, sharp tip, 2 mm Ø, 240 mm WL	8756.012	Lap 4.1a
Forceps, biopsy, flexible, 3 Fr, 230 mm WL	829.03	Acc 10.1
Forceps, biopsy, flexible, 4 Fr, 600 mm WL	8734.606	Lap 2.10
		URS 14.2
		Acc 10.1
Forceps, biopsy, flexible, 4 Fr, 850 mm WL	8734.608	Lap 2.10
		URS 12.2
		Acc 10.1
		URS 14.2
Forceps, biopsy, flexible, 3 Fr, 920 mm WL	829.601	URS 14.2
		Acc 10.1
Forceps, biopsy, flexible, 3 Fr, 850 mm WL	829.651	Lap 2.10
		Cys 5.2

Description	Product #	Page #
Forceps, biopsy, flexible, 5 Fr, 315 mm WL	829.05	Acc 10.1
Forceps, biopsy, flexible, 5 Fr, 550 mm WL	829.051	Acc 10.1
		Lap 2.10
		Lap 2.10
		URS 14.2
Forceps, biopsy, flexible, 6.5 Fr, 550 mm WL	829.055	Acc 10.1
		PCN 6.1
		Las 9.1
		URS 12.1
		Cys 6.1
Forceps, biopsy, flexible, 7 Fr, 365 mm WL	829.07	Acc 10.1
		Cys 5.2
		Acc 10.1
		Cys 3.5
Forceps, biopsy, flexible, 10 Fr, 325 mm WL	829.10	Acc 10.1
Forceps, biopsy, hook punch, 5 mm Ø, 320 mm WL	8383.131	Lap 4.11
Forceps, biopsy, hook punch, 5 mm Ø, 450 mm WL	8384.131	Lap 4.11
Forceps, biopsy, Palmer Jacobs Jaw, 3 mm Ø, 320 mm WL	8379.011	Lap 4.1b
Forceps, biopsy, Palmer Jacobs Jaw, 3 mm Ø, 450 mm WL	8380.011	Lap 4.1b
Forceps, foreign body, rigid, optical, 17.5 Fr	8660.654	Cys 7.2
Forceps, biopsy, rigid, optical, 17.5 Fr	8660.604	Cys 7.2
Forceps, biopsy, optical, 19.5 Fr., for 12°/25° 4mm endoscopes	8650.604	Cys 3.4
		Cys 4.4
		Res 15.1
Forceps, biopsy, rigid, optical, coagulating, Tauber, 21 Fr	8650.624	Cys 3.4
		Res 15.1

Description	Product #	Page #
Forceps, biopsy, rigid, optical, coagulating, Tauber, 21 Fr		Cys 4.3
Forceps, biopsy, rigid, optical, Marburg, 19.5 Fr	8650.614	Cys 3.3
		Res 15.1
		Cys 4.3
Forceps, biopsy, rigid, optical, retrograde, 19.5 Fr	8650.774	Cys 3.3
		Res 15.1
		Las 8.2
		Cys 4.3
Forceps, biopsy, semi-rigid, 5 Fr, 340 mm WL	8642.60	Acc 9.1
		Cys 5.2
Forceps, biopsy, semi-rigid, 7 Fr, 325 mm WL	8645.60	Acc 9.1
		Cys 5.2
Forceps, biopsy, rigid, 5 Fr, 550 mm WL	8952.60	URS 14.1
		Acc 9.1
Forceps, biopsy, spiked, "Grip Line", 5 mm Ø, 310 mm WL	8393.4048	Lap 4.28
Forceps, biopsy, spiked, 5 mm Ø, 430 mm WL	8394.404	Lap 4.9
Forceps, biopsy, spiked, 5 mm Ø, 310 mm WL	8393.404	Lap 4.9
Forceps, biopsy, spiked, complete, 5 mm Ø, 310 mm WL	8393.4043	Lap 4.9
Forceps, biopsy, spiked, complete, 5 mm Ø, 430 mm WL	8394.4043	Lap 4.9
Forceps, biopsy, spikes, 5 mm Ø, 315 mm WL	8383.471	Lap 4.15
Forceps, biopsy, spoon double action, 3 mm Ø, 320 mm WL	8379.041	Lap 4.1b
Forceps, biopsy, spoon double action, 3 mm Ø, 450 mm WL	8380.041	Lap 4.1b

Description	Product #	Page #
Forceps, biopsy, spoon shaped, 3.5 mm Ø, 310 mm WL	8391.406	Lap 4.3
Forceps, biopsy, spoon shaped, complete, 3.5 mm Ø, 310 mm WL	8391.4063	Lap 4.3
Forceps, bipolar, ESDP, 3.5 mm Ø, 340 mm WL	8391.715	Lap 6.1
		Lap 6.2
Forceps, bipolar, ESDP, complete, 3.5 mm Ø, 340 mm WL	8391.742	Lap 6.2
Forceps, bipolar, ESDP, complete, 3.5 mm Ø, 340 mm WL	8391.772	Lap 6.1
Forceps, bipolar, EVMS, 3.5 mm Ø, 440 mm WL	8389.715	Lap 6.1
		Lap 6.2
Forceps, bipolar, EVMS, complete, 3.5 mm Ø, 440 mm WL	8389.772	Lap 6.1
Forceps, bipolar, EVMS, complete, 3.5 mm Ø, 440 mm WL	8389.742	Lap 6.2
Forceps, bipolar, Kleppinger, complete, 5 mm Ø, 320 mm WL	8383.2101	Lap 6.9
		Lap 6.9
		Lap 6.10
Forceps, bipolar, Kleppinger, 5 mm Ø, 320 mm WL	8393.714	Lap 6.10
		Lap 6.9
		Lap 6.7
		Lap 6.3
		Lap 6.5
Forceps, bipolar, Kleppinger, complete, 5 mm Ø, 450 mm WL	8384.2101	Lap 6.9
Forceps, bipolar, Kleppinger, complete, 5 mm Ø, 450 mm WL	8384.2103	Lap 6.9

Description	Product #	Page #
Forceps, bipolar, Kleppinger, 5 mm Ø, 450 mm WL	8394.714	Lap 6.7
		Lap 6.5
		Lap 6.3
		Lap 6.9
		Lap 6.10
Forceps, bipolar, Kleppinger, complete, 5 mm Ø, 320 mm WL	8383.2103	Lap 6.9
Forceps, bipolar, Kleppinger, complete, 5 mm Ø, 320 mm WL	8383.2403	Lap 6.10
Forceps, bipolar, Kleppinger, complete, 5 mm Ø, 450 mm WL	8384.2102	Lap 6.9
Forceps, bipolar, Kleppinger, complete, 5 mm Ø, 450 mm WL	8384.2403	Lap 6.10
Forceps, bipolar, Kleppinger, sliding handle, complete, 5 mm Ø, 150 mm WL	8388.771	Lap 6.11
Forceps, bipolar, Kleppinger, spring handle, complete, 5 mm Ø, 150 mm WL	8388.741	Lap 6.11
Forceps, bipolar, Kleppinger, syringe handle, complete, 5 mm Ø, 150 mm WL	8388.241	Lap 6.11
Forceps bipolar, Kleppinger, complete, 5 mm Ø, 320 mm WL	8383.2102	Lap 6.9
Forceps bipolar, micro, complete, 5 mm Ø, 450 mm WL	8384.2106	Lap 6.9
Forceps bipolar, micro, complete, 5 mm Ø, 450 mm WL	8384.235	Lap 6.8
Forceps bipolar, micro, complete, 5 mm Ø, 450 mm WL	8384.2406	Lap 6.10
Forceps, bipolar, micro, 5 mm Ø, 320 mm WL	8393.726	Lap 6.4
		Lap 6.8
		Lap 6.9
		Lap 6.6

Description	Product #	Page #
		Lap 6.10
Forceps, bipolar, micro, 5 mm Ø, 450 mm WL	8394.726	Lap 6.8
		Lap 6.9
		Lap 6.10
		Lap 6.6
		Lap 6.4
Forceps, bipolar, micro, complete, 5 mm Ø, 320 mm WL	8393.813	Lap 6.4
Forceps, bipolar, micro, complete, 5 mm Ø, 320 mm WL	8383.2106	Lap 6.9
Forceps, bipolar, micro, complete, 5 mm Ø, 320 mm WL	8383.235	Lap 6.8
Forceps, bipolar, micro, complete, 5 mm Ø, 320 mm WL	8383.2406	Lap 6.10
Forceps, bipolar, micro, complete, 5 mm Ø, 450 mm WL	8394.813	Lap 6.4
Forceps, bipolar, micro, complete, 5 mm Ø, 320 mm WL	8393.793	Lap 6.6
Forceps, bipolar, micro, complete, 5 mm Ø, 450 mm WL	8394.793	Lap 6.6
Forceps, bipolar, Reich, paddle, 5 mm Ø, 320 mm WL	8393.725	Lap 6.9
		Lap 6.4
		Lap 6.6
		Lap 6.10
Forceps, bipolar, Reich, paddle, 5 mm Ø, 450 mm WL	8394.725	Lap 6.10
		Lap 6.6
		Lap 6.9
		Lap 6.4
Forceps, bipolar, Reich, complete, 5 mm Ø, 320 mm WL	8393.823	Lap 6.4

Description	Product #	Page #
Forceps, bipolar, Reich, complete, 5 mm Ø, 450 mm WL	8394.823	Lap 6.4
Forceps, bipolar, Reich, paddle, complete, 5 mm Ø, 320 mm WL	8383.2405	Lap 6.10
Forceps, bipolar, Reich, paddle, complete, 5 mm Ø, 320 mm WL	8393.803	Lap 6.6
Forceps, bipolar, Reich, paddle, complete, 5 mm Ø, 320 mm WL	8383.2105	Lap 6.9
Forceps, bipolar, Reich, paddle, complete, 5 mm Ø, 450 mm WL	8384.2105	Lap 6.9
Forceps, bipolar, Reich, paddle, complete, 5 mm Ø, 450 mm WL	8384.2405	Lap 6.10
Forceps, bipolar, Reich, paddle, complete, 5 mm Ø, 450 mm WL	8394.803	Lap 6.6
Forceps, bipolar, T-grasper, 5 mm Ø, 320 mm WL	8393.704	Lap 6.5
		Lap 6.3
Forceps, bipolar, T-grasper, complete, 5 mm Ø, 320 mm WL	8393.731	Lap 6.5
Forceps, bipolar, T-grasper, complete, 5 mm Ø, 450 mm WL	8394.731	Lap 6.5
Forceps, bipolar, T-grasper, complete, 5 mm Ø, 300 mm WL	8393.761	Lap 6.3
Forceps, bipolar, T-grasper, 5 mm Ø, 450 mm WL	8394.704	Lap 6.5
		Lap 6.7
		Lap 6.3
		Lap 6.7
		Lap 6.9
		Lap 6.10
Forceps, bipolar, T-grasper, complete, 5 mm Ø, 320 mm WL	8383.23	Lap 6.7

Description	Product #	Page #
Forceps, bipolar, T-grasper, complete, 5 mm Ø, 450 mm WL	8384.23	Lap 6.7
Forceps, bipolar, T-grasper, 5 mm Ø, 450 mm WL	8394.761	Lap 6.3
Forceps, bipolar, T-grasper, complete, 5 mm Ø, 320 mm WL	8383.2401	Lap 6.10
Forceps, bipolar, T-grasper, complete, 5 mm Ø, 450 mm WL	8384.2401	Lap 6.10
Forceps bipolar, Teflon tooth, complete, 5 mm Ø, 320 mm WL	8383.232	Lap 6.7
Forceps bipolar, Teflon tooth, complete, 5 mm Ø, 320 mm WL	8383.2402	Lap 6.10
Forceps, bipolar, Teflon tooth, 5 mm Ø, 300 mm WL	8393.705	Lap 6.3
		Lap 6.5
		Lap 6.7
		Lap 6.9
		Lap 6.10
		Lap 6.5
		Lap 6.7
		Lap 6.9
		Lap 6.10
Forceps, bipolar, Teflon tooth, complete, 5 mm Ø, 320 mm WL	8393.732	Lap 6.5
Forceps, bipolar, Teflon tooth, complete, 5 mm Ø, 450 mm WL	8384.232	Lap 6.7
Forceps, bipolar, Teflon tooth, complete, 5 mm Ø, 450 mm WL	8384.2402	Lap 6.10
Forceps, bipolar Teflon tooth, 5 mm Ø, 450 mm WL	8394.705	Lap 6.3
Forceps, bipolar Teflon tooth, complete, 5 mm Ø, 300 mm WL	8393.762	Lap 6.3

Description	Product #	Page #
Forceps, bipolar Teflon tooth, complete, 5 mm Ø, 450 mm WL	8394.762	Lap 6.3
Forceps, bipolar, Teflon tooth, complete, 5 mm Ø, 450 mm WL	8394.732	Lap 6.5
Forceps, bipolar, tweezer, 3.5 mm Ø, 440 mm WL	8389.726	Lap 6.1
Forceps, bipolar, tweezer, 5 mm Ø, 320 mm WL	8393.724	Lap 6.5
		Lap 6.7
		Lap 6.10
		Lap 6.3
		Lap 6.9
Forceps, bipolar, tweezer, 5 mm Ø, 450 mm WL	8394.724	Lap 6.3
		Lap 6.7
		Lap 6.9
		Lap 6.10
		Lap 6.5
Forceps, bipolar, tweezer, 5 mm Ø, 450 mm WL	8394.801	Lap 6.3
Forceps, bipolar, tweezer, complete, 5 mm Ø, 300 mm WL	8393.801	Lap 6.3
Forceps, bipolar, tweezer, complete, 5 mm Ø, 320 mm WL	8393.781	Lap 6.5
Forceps, bipolar, tweezer, complete, 5 mm Ø, 450 mm WL	8384.2104	Lap 6.9
Forceps, bipolar, tweezer, complete, 5 mm Ø, 450 mm WL	8384.234	Lap 6.7
Forceps, bipolar, tweezer, complete, 5 mm Ø, 320 mm WL	8383.2104	Lap 6.9
Forceps, bipolar, tweezer, complete, 5 mm Ø, 320 mm WL	8383.234	Lap 6.7
Forceps, bipolar, tweezer, complete, 3.5 mm Ø, 440 mm WL	8389.813	Lap 6.1

Description	Product #	Page #
Forceps, bipolar, tweezer, complete, 5 mm Ø, 320 mm WL	8383.2404	Lap 6.10
Forceps, bipolar, tweezer, complete, 5 mm Ø, 450 mm WL	8394.781	Lap 6.5
Forceps, bipolar, tweezer, complete, 5 mm Ø, 450 mm WL	8384.2404	Lap 6.10
Forceps, bipolar, tweezer, complete, 3.5 mm Ø, 340 mm WL	8391.813	Lap 6.1
Forceps, bipolar tweezer, 3.5 mm Ø, 440 mm WL	8389.726	Lap 6.2
Forceps, bipolar tweezer, 3.5 mm Ø, 340 mm WL	8391.726	Lap 6.2
		Lap 6.1
Forceps, bipolar tweezer, complete, 3.5 mm Ø, 440 mm WL	8389.793	Lap 6.2
Forceps, bipolar tweezer, complete, 3.5 mm Ø, 340 mm WL	8391.793	Lap 6.2
Forceps, bipolar universal, spring handle, complete, 5 mm Ø, 150 mm WL	8388.731	Lap 6.11
Forceps, bipolar, universal, 5 mm Ø, 150 mm WL	8388.704	Lap 6.11
Forceps, bipolar, universal, sliding handle, complete, 5 mm Ø, 150 mm WL	8388.761	Lap 6.11
Forceps, bipolar, universal, syringe handle, complete, 5 mm Ø, 150 mm WL	8388.231	Lap 6.11
Forceps, bowel, "Grip Line", 5 mm Ø, 310 mm WL	8393.4947	Lap 4.27
Forceps, bowel, "Grip Line", 5 mm Ø, 430 mm WL	8394.4947	Lap 4.27

Description	Product #	Page #
Forceps, curved left, 5 mm Ø, 315 mm WL	8383.571	Lap 4.19
Forceps, Debakey, 5 mm Ø, 310 mm WL	8393.324	Lap 4.8
Forceps, Debakey, 10 mm Ø, 310 mm WL	8395.235	Lap 4.21
Forceps, Debakey, complete, 10 mm Ø, 310 mm WL	8395.2352	Lap 4.21
Forceps, Debakey, complete, 5 mm Ø, 310 mm WL	8393.3242	Lap 4.8
Forceps, dilator, grasper, ampulla, 5 mm Ø, 310 mm WL	8383.48	Lap 4.13
Forceps, dissector, Maryland, 5 mm Ø, 240 mm WL	8392.205	Lap 4.6
Forceps, dissector, straight, 2 mm Ø, 240 mm WL	8756.101	Lap 4.1a
Forceps, dolphin nose, "Grip Line", 5 mm Ø, 310 mm WL	8393.4628	Lap 4.25
Forceps, dolphin nose, "Grip Line", 5 mm Ø, 430 mm WL	8394.4628	Lap 4.25
Forceps, Erlangen, semi-rigid, 5 Fr, 255 mm WL	8626.65	Acc 9.2
Forceps, foreign body, flexible, 5 Fr, 315 mm WL	828.05	Acc 10.1
		Cys 5.2
Forceps, foreign body, flexible, 5 Fr, 550 mm WL	828.051	Acc 10.1
		URS 14.3
(cont.)	828.051	Lap 2.10
Forceps, foreign body, flexible, 10 Fr, 325 mm WL	828.10	Acc 10.1
Forceps, foreign body, flexible, 3 Fr, 230 mm WL	828.03	Acc 10.1
Forceps, foreign body, semi-rigid, 5 Fr, 340 mm WL	8642.65	Acc 9.1
		Cys 5.2

Description	Product #	Page #
Forceps, foreign body, flexible, 5 Fr, 545 mm WL	8950.66	URS 14.3
		Acc 10.2
Forceps, foreign body, rigid, optical, 21 Fr	8650.654	Res 15.1
		Cys 4.3
		Cys 3.3
Forceps, foreign body, flexible, 5 Fr, 415 mm WL	8959.66	URS 14.3
		Acc 10.2
Forceps, foreign body, semi-rigid, 7 Fr, 325 mm WL	8645.65	Acc 9.1
		Cys 5.2
Forceps, foreign body, flexible, 7 Fr	828.07	Cys 5.2
Forceps, gastric band, complete, 10 mm Ø, 370 mm WL	8397.651 S01	Lap 4.22
Forceps, gastric band, 10 mm Ø, 370 mm WL	8397.654 S01	Lap 4.22
Forceps, grasping, 3.5 mm Ø, 240 mm WL	8390.204	Lap 4.2
Forceps, grasping, 3.5 mm Ø, 310 mm WL	8391.204	Lap 4.2
Forceps, grasping, 5 mm Ø, 240 mm WL	8392.204	Lap 4.4
Forceps, grasping, 3 mm Ø, 450 mm WL	8380.08	Lap 4.1c
Forceps, grasping, 5 mm Ø, 310 mm WL	8393.265	Lap 4.5
Forceps, grasping, 5 mm Ø, 310 mm WL	8393.214	Lap 4.17
Forceps, grasping, 5 mm Ø, 430 mm WL	8394.265	Lap 4.5
Forceps, grasping, 5 mm Ø, 320 mm WL	8383.141	Lap 4.12
Forceps, grasping, 5 mm Ø, 450 mm WL	8384.141	Lap 4.12
Forceps, grasping, 5 mm Ø, 430 mm WL	8394.274	Lap 4.7

Description	Product #	Page #
Forceps, grasping, 5 mm Ø, 295 mm WL	8383.311	Lap 4.14
Forceps, grasping, 5 mm Ø, 310 mm WL	8393.274	Lap 4.7
Forceps, grasping, 5 mm Ø, 315 mm WL	8383.046	Lap 4.10
Forceps, grasping, 5 mm Ø, 430 mm WL	8394.264	Lap 4.7
Forceps, grasping, 3 mm Ø, 320 mm WL	8379.031	Lap 4.1b
Forceps, grasping, 3 mm Ø, 450 mm WL	8380.031	Lap 4.1b
Forceps, grasping, 5 mm Ø, 310 mm WL	8393.264	Lap 4.7
Forceps, grasping, 5 mm Ø, 310 mm WL	8393.414	Lap 4.8
Forceps, grasping, 5 mm Ø, 310 mm WL	8393.236	Lap 4.6
Forceps, grasping, 5 mm Ø, 310 mm WL	8393.244	Lap 4.6
Forceps, grasping, 5 mm Ø, 310 mm WL	8393.204	Lap 4.4
Forceps, grasping, 5 mm Ø, 430 mm WL	8394.204	Lap 4.4
Forceps, grasping, complete, 5 mm Ø, 310 mm WL	8393.2655	Lap 4.5
Forceps, grasping, complete, 5 mm Ø, 430 mm WL	8394.2654	Lap 4.5
Forceps, grasping, 14mm tapered, 5 mm Ø, 310 mm WL	8393.225	Lap 4.4
Forceps, grasping, 14mm tapered, complete, 5 mm Ø, 310 mm WL	8393.2254	Lap 4.4
Forceps, grasping, 14mm tapered, complete, 5 mm Ø, 310mm WL	8393.2255	Lap 4.4

Description	Product #	Page #
Forceps, grasping, 18mm tapered, 5 mm Ø, 310 mm WL	8393.224	Lap 4.6
Forceps, grasping, 18mm tapered, complete, 5 mm Ø, 310 mm WL	8393.2244	Lap 4.6
Forceps, grasping, 18mm tapered, complete, 5 mm Ø, 310mm WL	8393.2245	Lap 4.6
Forceps, grasping, 2/3 pronged, 10 mm Ø, 310 mm WL	8395.204	Lap 4.20
Forceps, grasping, 2/3 pronged, 5 mm Ø, 315 mm WL	8383.047	Lap 4.10
Forceps, grasping, 2/3 pronged, complete, 10 mm Ø, 310 mm WL	8395.2042	Lap 4.20
Forceps, grasping, 2/3 pronged, single action, 10 mm Ø, 335 mm WL	8385.10	Lap 4.23
Forceps, grasping, angled left, 5 mm Ø, 315 mm WL	8383.591	Lap 4.18
Forceps, grasping, atraumatic, 5 mm Ø, 450 mm WL	8384.14	Lap 4.12
Forceps, grasping, atraumatic, 5 mm Ø, 320 mm WL	8383.036	Lap 4.11
Forceps, grasping, atraumatic, 5 mm Ø, 320 mm WL	8383.14	Lap 4.12
Forceps, grasping, atraumatic, 5 mm Ø, 320 mm WL	8383.142	Lap 4.12
Forceps, grasping, atraumatic, 5 mm Ø, 450 mm WL	8384.036	Lap 4.11
Forceps, grasping, atraumatic, 5 mm Ø, 450 mm WL	8384.142	Lap 4.12

Description	Product #	Page #
Forceps, grasping, blunt, 5 mm Ø, 310 mm WL	8393.206	Lap 4.4
Forceps, grasping, blunt, 5 mm Ø, 430 mm WL	8394.206	Lap 4.4
Forceps, grasping, blunt, complete, 5 mm Ø, 310 mm WL	8393.2063	Lap 4.4
Forceps, grasping, blunt, complete, 5 mm Ø, 430 mm WL	8394.2063	Lap 4.4
Forceps, grasping, claw, 10 mm Ø, 340 mm WL	8385.181	Lap 14.2
Forceps, grasping, complete, 5 mm Ø, 310 mm WL	8393.2363	Lap 4.6
Forceps, grasping, complete, 5 mm Ø, 310 mm WL	8393.2364	Lap 4.6
Forceps, grasping, complete, 5 mm Ø, 310 mm WL	8393.2443	Lap 4.6
Forceps, grasping, complete, 3.5 mm Ø, 240 mm WL	8390.2044	Lap 4.2
Forceps, grasping, complete, 3.5 mm Ø, 240 mm WL	8390.2045	Lap 4.2
Forceps, grasping, complete, 3.5 mm Ø, 240 mm WL	8390.2054	Lap 4.2
Forceps, grasping, complete, 3.5 mm Ø, 240 mm WL	8390.2055	Lap 4.2
Forceps, grasping, complete, 3.5 mm Ø, 310 mm WL	8391.2044	Lap 4.2
Forceps, grasping, complete, 3.5 mm Ø, 310 mm WL	8391.2045	Lap 4.2
Forceps, grasping, complete, 5 mm Ø, 310 mm WL	8393.2143	Lap 4.17
Forceps, grasping, complete, 5 mm Ø, 240 mm WL	8392.2044	Lap 4.4
Forceps, grasping, complete, 5 mm Ø, 240 mm WL	8392.2045	Lap 4.4
Forceps, grasping, complete, 5 mm Ø, 310 mm WL	8393.2044	Lap 4.4

Description	Product #	Page #
Forceps, grasping, complete, 5 mm Ø, 310 mm WL	8393.2045	Lap 4.4
Forceps, grasping, complete, 5 mm Ø, 310 mm WL	8393.2644	Lap 4.7
Forceps, grasping, complete, 5 mm Ø, 310 mm WL	8393.2645	Lap 4.7
Forceps, grasping, complete, 5 mm Ø, 310 mm WL	8393.2654	Lap 4.5
Forceps, grasping, complete, 5 mm Ø, 310 mm WL	8393.2744	Lap 4.7
Forceps, grasping, complete, 5 mm Ø, 310 mm WL	8393.2745	Lap 4.7
Forceps, grasping, complete, 5 mm Ø, 310 mm WL	8393.4144	Lap 4.8
Forceps, grasping, complete, 5 mm Ø, 430 mm WL	8394.2044	Lap 4.4
Forceps, grasping, complete, 5 mm Ø, 430 mm WL	8394.2045	Lap 4.4
Forceps, grasping, complete, 5 mm Ø, 430 mm WL	8394.2644	Lap 4.7
Forceps, grasping, complete, 5 mm Ø, 430 mm WL	8394.2645	Lap 4.7
Forceps, grasping, complete, 5 mm Ø, 430 mm WL	8394.2655	Lap 4.5
Forceps, grasping, complete, 5 mm Ø, 430 mm WL	8394.2744	Lap 4.7
Forceps, grasping, complete, 5 mm Ø, 430 mm WL	8394.2745	Lap 4.7
Forceps, grasping, double action jaws, 5 mm Ø, 315 mm WL	8383.321	Lap 4.14
Forceps, grasping, flexible, 3 Fr, 600 mm WL	7223.65	URS 12.1
		Lap 2.10
		Ped 5.1
Forceps, grasping, flexible, 3 Fr, 920 mm WL	828.651	URS 12.1
Forceps, grasping, flexible, 3 Fr, 920 mm WL		Lap 2.10

Description	Product #	Page #
Forceps, grasping, flexible, 3 Fr, 920 mm WL		Acc 10.2
		URS 14.2
Forceps, grasping, flexible, 4 Fr, 600 mm WL	8734.656	Acc 10.2
		Lap 2.10
		URS 14.2
Forceps, grasping, flexible, 4 Fr, 850 mm WL	8734.658	Acc 10.2
		Lap 2.10
		URS 14.2
Forceps, foreign body, mouse tooth, flexible, 4 Fr, 850 mm WL	8734.688	URS 12.2
		Acc 10.2
		Lap 2.10
		URS 14.2
Forceps, grasping, mouse tooth, flexible, 4 Fr, 600 mm WL	8734.686	Lap 2.10
		Acc 10.2
		URS 14.2
Forceps, grasping, mouse tooth, flexible, 6.5 Fr, 550 mm WL	8736.685	Lap 2.10
		URS 14.2
		Cys 6.1
		Acc 10.2
		Las 9.1
		URS 12.2
		PCN 6.1
Forceps, grasping, "Grip Line", 5 mm Ø, 310 mm WL	8393.2659	Lap 4.26
Forceps, grasping, "Grip Line", 5 mm Ø, 430 mm WL	8394.2659	Lap 4.26
Forceps, grasping, "Grip Line", 5 mm Ø, 310 mm WL	8393.2418	Lap 4.25
Forceps, grasping "Grip Line", 5 mm Ø, 310 mm WL	8393.2369	Lap 4.26

Description	Product #	Page #
Forceps, grasping, manipulation, double action, 10 mm Ø, 310 mm WL	8395.504	Lap 4.22
Forceps, grasping, manipulation, double action, complete, 10 mm Ø, 310 mm WL	8395.5042	Lap 4.22
Forceps, grasping, mouse tooth, rigid, 5 Fr, 415 mm WL	8959.621	URS 14.1
		Acc 9.1
Forceps, grasping, mouse tooth, rigid, 5 Fr, 550 mm WL	8952.621	URS 14.1
		Acc 9.1
Forceps, grasping, mouse tooth, short, rigid, 4 Fr, 415 mm WL	8959.611	URS 14.1
		Acc 9.1
Forceps, grasping, mouse tooth, rigid, 4 Fr, 550 mm WL	8952.611	URS 14.1
		Acc 9.1
Forceps, grasping, optical, for 12°/25° 4mm endoscopes, 19.5 Fr.	8650.684	Cys 3.4
		Cys 4.4
		Res 15.1
Forceps, grasping, plate shape, 5 mm Ø, 310 mm WL	8393.255	Lap 4.7
Forceps, grasping, plate shape, complete, 5 mm Ø, 310 mm WL	8393.2555	Lap 4.7
Forceps, grasping, plate shape, complete, 5 mm Ø, 310 mm WL	8393.2554	Lap 4.7
Forceps, grasping, plate, 10 mm Ø, 310 mm WL	8395.234	Lap 4.20
Forceps, grasping, plate, complete, 10 mm Ø, 310 mm WL	8395.2342	Lap 4.20
Forceps, grasping, rigid, 5 Fr, 550 mm WL	8952.65	URS 14.1
		Acc 9.1

Description	Product #	Page #
Forceps, grasping, serrated, 5 mm Ø, 320 mm WL	8383.037	Lap 4.11
Forceps, grasping, spoon shaped, 10 mm Ø, 335 mm WL	8385.12	Lap 4.23
Forceps, grasping, spoon shaped, 10 mm Ø, 310 mm WL	8395.244	Lap 4.21
		Lap 4.22
Forceps, grasping, spoon shaped, complete, 10 mm Ø, 310 mm WL	8395.2442	Lap 4.21
		Lap 4.22
Forceps, grasping, teeth, complete, 5 mm Ø, 430 mm WL	8394.2664	Lap 4.5
Forceps, grasping, teeth, complete, 5 mm Ø, 430 mm WL	8394.2665	Lap 4.5
Forceps, grasping, teeth, complete, 5 mm Ø, 310 mm WL	8393.2664	Lap 4.5
Forceps, grasping, teeth, complete, 5 mm Ø, 310 mm WL	8393.2665	Lap 4.5
Forceps, grasping, teeth, 5 mm Ø, 430 mm WL	8394.266	Lap 4.5
Forceps, grasping, teeth, 5 mm Ø, 310 mm WL	8393.235	Lap 4.5
Forceps, grasping, teeth, 5 mm Ø, 310 mm WL	8393.266	Lap 4.5
Forceps, grasping, teeth, 5 mm Ø, 310 mm WL	8393.234	Lap 4.5
Forceps, grasping, teeth, complete, 5 mm Ø, 310 mm WL	8393.2345	Lap 4.5
Forceps, grasping, teeth, complete, 5 mm Ø, 310 mm WL	8393.2344	Lap 4.5
Forceps, grasping, teeth, complete, 5 mm Ø, 310 mm WL	8393.2354	Lap 4.5

Description	Product #	Page #
Forceps, grasping, teeth, complete, 5 mm Ø, 310 mm WL	8393.2355	Lap 4.5
Forceps, hook punch, "Grip Line", 5 mm Ø, 310 mm WL	8393.0168	Lap 4.28
Forceps, hook punch, Frangenheim, 5 mm Ø, 430 mm WL	8394.016	Lap 4.9
Forceps, hook punch, Frangenheim, 5 mm Ø, 310 mm WL	8393.016	Lap 4.9
Forceps, hook punch, Frangenheim, complete, 5 mm Ø, 310 mm WL	8393.0163	Lap 4.9
Forceps, hook punch, Frangenheim, complete, 5 mm Ø, 430 mm WL	8394.0163	Lap 4.9
Forceps, intestine, 10 mm Ø, 310 mm WL	8395.215	Lap 4.20
Forceps, intestine, complete, 10 mm Ø, 310 mm WL	8395.2152	Lap 4.20
Forceps, Kleppinger, complete, 5 mm Ø, 300 mm WL	8393.771	Lap 6.3
Forceps, Kleppinger, complete, 5 mm Ø, 320 mm WL	8383.233	Lap 6.7
Forceps, Kleppinger, complete, 5 mm Ø, 320 mm WL	8393.741	Lap 6.5
Forceps, Kleppinger, complete, 5 mm Ø, 450 mm WL	8384.233	Lap 6.7
Forceps, Kleppinger, complete, 5 mm Ø, 450 mm WL	8394.741	Lap 6.5

Description	Product #	Page #
Forceps, Kleppinger, complete, 5 mm Ø, 450 mm WL	8394.771	Lap 6.3
Forceps, Maryland, 3.5 mm Ø, 240 mm WL	8390.205	Lap 4.2
Forceps, Maryland, 3.5 mm Ø, 310 mm WL	8391.205	Lap 4.2
Forceps, Maryland, complete, 3.5 mm Ø, 310 mm WL	8391.2054	Lap 4.2
Forceps, Maryland, complete, 3.5 mm Ø, 310 mm WL	8391.2055	Lap 4.2
Forceps, Maryland, 5 mm Ø, 310 mm WL	8393.205	Lap 4.6
Forceps, Maryland, 5 mm Ø, 430 mm WL	8394.205	Lap 4.6
Forceps, Maryland, "Grip Line", 5 mm Ø, 310 mm WL	8393.2058	Lap 4.25
Forceps, Maryland, complete, 5 mm Ø, 240 mm WL	8392.2053	Lap 4.6
Forceps, Maryland, complete, 5 mm Ø, 240 mm WL	8392.2055	Lap 4.6
Forceps, Maryland, complete, 5 mm Ø, 310 mm WL	8393.2053	Lap 4.6
Forceps, Maryland, complete, 5 mm Ø, 310 mm WL	8393.2055	Lap 4.6
Forceps, Maryland, complete, 5 mm Ø, 430 mm WL	8394.2053	Lap 4.6
Forceps, Maryland, complete, 5 mm Ø, 430 mm WL	8394.2055	Lap 4.6
Forceps, Maryland, 10 mm Ø, 310 mm WL	8395.225	Lap 4.21
Forceps, Maryland, complete, 10 mm Ø, 310 mm WL	8395.2252	Lap 4.21
Forceps, Mixer, "Grip Line", 5 mm Ø, 310 mm WL	8393.4149	Lap 4.26

Description	Product #	Page #
Forceps, Paddle Babcock, "Grip Line", 5 mm Ø, 310 mm WL	8393.3267	Lap 4.27
Forceps, Petelin, angled 30°, 5 mm Ø, 310 mm WL	8393.215	Lap 4.17
Forceps, Petelin, angled 30°, 5 mm Ø, 315 mm WL	8383.581	Lap 4.19
Forceps, Petelin, angled 30°, complete, 5 mm Ø, 310 mm WL	8393.2154	Lap 4.17
Forceps, Petelin, angled 30°, complete, 5 mm Ø, 310 mm WL	8393.2155	Lap 4.17
Forceps, Petelin, angled 60°, 5 mm Ø, 310 mm WL	8393.216	Lap 4.17
Forceps, Petelin, angled 60°, 5 mm Ø, 315 mm WL	8383.582	Lap 4.19
Forceps, Petelin, angled 60°, complete, 5 mm Ø, 310 mm WL	8393.2164	Lap 4.17
Forceps, Petelin, angled 60°, complete, 5 mm Ø, 310 mm WL	8393.2165	Lap 4.17
Forceps, punch, biopsy, semi-rigid, 5 Fr, 355 mm WL	8642.631	Acc 9.1
Forceps, Reich, bipolar paddle, 5 mm Ø, 320 mm WL	8393.725	Lap 6.8
Forceps, Reich, bipolar paddle, 5 mm Ø, 450 mm WL	8394.725	Lap 6.8
Forceps, Reich, bipolar paddle, complete, 5 mm Ø, 320 mm WL	8383.236	Lap 6.8
Forceps, Reich, bipolar paddle, complete, 5 mm Ø, 450 mm WL	8384.236	Lap 6.8

Description	Product #	Page #
Forceps, retraction grasper, 5 mm Ø, 310 mm WL	8393.489	Lap 4.8
Forceps, retraction grasper, 5 mm Ø, 430 mm WL	8394.489	Lap 4.8
Forceps, retraction grasper, complete, 5 mm Ø, 310 mm WL	8393.4892	Lap 4.8
Forceps, retraction grasper, complete, 5 mm Ø, 430 mm WL	8394.4892	Lap 4.8
Forceps, retraction, "Grip Line", 5 mm Ø, 310 mm WL	8393.4897	Lap 4.27
Forceps, retraction, "Grip Line", 5 mm Ø, 430 mm WL	8394.4897	Lap 4.27
Forceps, right angle, 10 mm Ø, 310 mm WL	8395.226	Lap 4.21
		Lap 4.22
Forceps, right angle, complete, 10 mm Ø, 310 mm WL	8395.2262	Lap 4.22
		Lap 4.21
Forceps, rigid, 3 prong grasper	8968.671	PCN 10.1
		PCN 10.2
Forceps, rigid, foreign body, optical	8672.65	Ped 3.3
Forceps, rigid, "peanut" grasping	8962.61	Litho 7.1
		PCN 4.2
		PCN 5.1
Forceps, rigid, alligator jaws	8962.60	Litho 7.1
		PCN 4.2
		PCN 5.1
Forceps, stone, angled, rigid, 8 Fr, 340 mm WL	8962.602	Acc 9.2
		PCN 5.1
		Litho 7.1
Forceps, rigid, biopsy, optical	8672.60	Ped 3.3
Forceps, rigid, stone grasping	8964.601	Litho 7.1
		PCN 4.2
		PCN 5.1

Description	Product #	Page #
Forceps, rigid, stone grasping	8968.601	PCN 10.1
		PCN 10.2
Forceps, semi-rigid, grasping, 5 Fr, 260 mm WL	8626.65	Ped 4.4
Forceps, short, cupped, 5 mm Ø, 315 mm WL	8383.127	Lap 4.10
Forceps, spoon shape, "Grip Line", 10 mm Ø, 310 mm WL	8395.2447	Lap 4.29
Forceps, stone, alligator, rigid, 10 Fr, 340 mm WL	8962.604	Acc 9.2
Forceps, stone, extracting, rigid, 8 Fr, 340 mm WL	8964.601	Acc 9.2
Forceps, stone, finely serrated, rigid 8 Fr, 340 mm WL	8962.61	Acc 9.2
Forceps, stone, rigid, 10 Fr, 340 mm WL	8962.605	Acc 9.2
Forceps, stone, rigid, optical, 23 Fr	8650.664	Cys 3.3
		Res 15.1
Forceps, stone, serrated, rigid, 10 Fr, 340 mm WL	8962.607	Acc 9.2
Forceps, stone, serrated, rigid, 8 Fr, 275 mm WL	8280.22	Acc 9.2
Forceps, stone, sharp jaws, rigid, 8 Fr, 275 mm WL	8280.23	Acc 9.2
Forceps, tenaculum, 10 mm Ø, 300 mm WL	8385.181	Lap 15.7
Forceps, universal, 5 mm Ø, 310 mm WL	8393.254	Lap 4.7
Forceps, universal, 10 mm Ø, 310 mm WL	8395.224	Lap 4.20
Forceps, universal, 3.5 mm Ø, 240 mm WL	8390.254	Lap 4.2
Forceps, universal, 3.5 mm Ø, 310 mm WL	8391.254	Lap 4.2
Forceps, universal, complete, 10 mm Ø, 310 mm WL	8395.2242	Lap 4.20

Description	Product #	Page #
Forceps, universal, complete, 3.5 mm Ø, 240 mm WL	8390.2544	Lap 4.2
Forceps, universal, complete, 3.5 mm Ø, 240 mm WL	8390.2545	Lap 4.2
Forceps, universal, complete, 3.5 mm Ø, 310 mm WL	8391.2544	Lap 4.2
Forceps, universal, complete, 3.5 mm Ø, 310 mm WL	8391.2545	Lap 4.2
Forceps, universal, complete, 5 mm Ø, 310 mm WL	8393.2544	Lap 4.7
Forceps, universal, complete, 5 mm Ø, 310 mm WL	8393.2545	Lap 4.7
Forceps, universal, grasping, 2 mm Ø, 240 mm WL	8756.121	Lap 4.1a
Forceps, wave side, 5 mm Ø, 310 mm WL	8393.292	Lap 4.8
Forceps, wave side, 5 mm Ø, 430 mm WL	8394.292	Lap 4.8
Forceps, Wave Side, "Grip Line", 5 mm Ø, 310 mm WL	8393.2549	Lap 4.26
Forceps, Wave Side, "Grip Line", 5 mm Ø, 310 mm WL	8393.2937	Lap 4.27
Forceps, Wave Side, "Grip Line", 5 mm Ø, 430 mm WL	8394.2927	Lap 4.27
Forceps, Wave Side, "Grip Line", 5 mm Ø, 430 mm WL	8394.2937	Lap 4.27
Forceps, Wave Side, "Grip Line", 5 mm Ø, 310 mm WL	8393.2927	Lap 4.27
Forceps, wave side, complete, 5 mm Ø, 310 mm WL	8393.2922	Lap 4.8
Forceps, wave side, complete, 5 mm Ø, 430 mm WL	8394.2922	Lap 4.8
Gear, angular	8386.302	Lap 14.1

Description	Product #	Page #
Generator, bipolar, with foot switch	2352.011	Lap 16.5
Grasper, spare, 3 prong	8964.675	PCN 5.1
Guide rod, 5.5 mm Ø	8923.921	Lap 3.17
Guide rod, 10 mm Ø	8943.901	Lap 3.17
		Lap 15.7
Guide rod, 2 mm Ø	8309.921	Lap 3.17
Guide rod, 5 mm Ø	8934.951	Lap 3.18
Guide rod, dilatation, 6 Fr	8955.06	PCN 3.2
Guide rod, dilation, 2-3.5 mm Ø	8309.921	Lap 3.1
Guide rod, 10 mm Ø, 510 mm WL	8943.901	Lap 14.2
		Lap 3.19
Guide sleeve, by Freiburg	8518.03	Res 17.1
Guide tube, lateral opening	8667.161	Tome 3.1
Guide tube, lateral opening	8670.161	Tome 2.1
Guide tube, lateral opening, 21 Fr	8962.291	PCN 5.2
Guide wire, sterile, 3/set, 0.038" Ø	8591.993	URS 18.1
Handle, axial	8393.941	Lap 4.22
Handle, axial, w/ratchet	8393.0005	Lap 4.2
		Lap 4.4
		Lap 4.17
		Lap 4.5
		Lap 4.6
		Lap 4.7
Handle, bipolar, Kleppinger, scissor style, 320 mm WL	8383.21	Lap 6.9
Handle, bipolar, Kleppinger, scissor style, 450 mm WL	8384.21	Lap 6.9
Handle, bipolar, Kleppinger, syringe style, 320 mm WL	8383.24	Lap 6.10
Handle, bipolar, Kleppinger, syringe style, 450 mm WL	8384.24	Lap 6.10
Handle, ergonomic, for 8645.413	8986.251	Cys 5.1
Handle, motorized	8386.301	Lap 14.1
Handle, open spring, 450 mm WL	8384.974	Lap 6.7

Description	Product #	Page #
Handle, open spring, 450 mm WL		Lap 6.8
Handle, open spring, 320 mm WL	8383.974	Lap 6.7
		Lap 6.8
Handle, roller, 3.5 mm Ø, 340 mm WL	8393.977	Lap 6.1
Handle, roller, with sleeve, 3.5 mm Ø, 340 mm WL	8393.979	Lap 6.1
Handle, for semi-rigid ureteroscopes	8702.261	URS 3.1
		URS 3.2
Handle, sliding	8393.974	Lap 6.1
		Lap 6.3
		Lap 6.4
Handle, spring	8393.975	Lap 6.2
		Lap 6.5
		Lap 6.6
Handle, suction, irrigation	8385.901	Lap 8.2
Handle, w/o ratchet	8393.0003	Lap 4.3
		Lap 4.4
		Lap 4.6
		Lap 5.2
		Lap 5.3
		Lap 5.4
		Lap 4.9
		Lap 4.17
Handle, w/o ratchet, w/o HF, rotatable	8393.0001	Lap 5.6
		Lap 11.4
Handle, w/ratchet, rotatable	8393.0004	Lap 4.8
		Lap 4.17
		Lap 4.2
		Lap 4.4
		Lap 4.5
		Lap 4.6
		Lap 4.7
Handle, w/ratchet, w/o HF	8393.0002	Lap 4.8
		Lap 4.20
		Lap 4.21
		Lap 4.22
		Lap 4.22
Holder, scope / instrument	8175.601	Lap 2.11

Description	Product #	Page #
Hose, CO2, high pressure yoke and manometer	2026.631	Lap 16.2
		Lap 16.3
Hose, high pressure, CO2	2026.62	Lap 16.2
		Lap 16.3
Hose, low pressure suction measuring	8170.411	Litho 6.1
		Res 18.1
Hulka clips, 10 pairs, sterile	4986.09	Lap 15.3
Hygiene filters, sterile, 10/pkg	2148.95	Litho 6.1
Inner ring, metal	819.912	Lap 3.24
Insert, Albarran deflector, double channel	8650.204	Res 15.2
Insert, Albarran deflector, single channel	8650.214	Res 15.2
Insert, laser cystoscope, 0-130° deflection	8650.754	Las 8.1
		Cys 3.5
		Cys 4.3
Insert, laser cystoscope, 0-60° deflection	8650.674	Las 8.1
Instrument port, detachable	8911.316	Lap 2.7
		Lap 2.8
Instrument port, detachable	8914.315	Lap 2.9
Instrument sealing port, detachable	8911.311	Lap 2.7
		Lap 2.8
Insufflator, 30L/min	2232.601	Lap 16.2
Insufflator, 30L/min, video display	2232.611	Lap 16.2
Insufflator, CO2, high flow, w/ gas warming, 30L / min.	2231.621	Lap 16.3
Insufflator, CO2, high flow, w/ gas warming & video display, 30L / min.	2231.631	Lap 16.3
Introducer, Henning's 4 Fr	893.04	Acc 5.1
Irrigation ring, shut-off valve, 3 mm	15209.042 S01	Res 16.1
Knife	8586.90	Tome 5.1
Knife, spare	8517.90	Tome 4.1

Description	Product #	Page #
Knot pusher, distal fork, double action, 5 mm Ø, 310 mm WL	8393.344	Lap 11.4
Knot pusher, distal fork, double action, complete, 5 mm Ø, 310 mm WL	8393.3441	Lap 11.4
Knot pusher, extracorporeal, 5 mm Ø, 320 mm WL	8383.551	Lap 11.4
Knot pusher, intra-abdominal, 5 mm Ø, 320 mm WL	8383.55	Lap 11.4
Laparopump, 110-120V, 60 Hz	2215.002	Lap 8.3
		Lap 16.7
Laparoscope, 0°, 2 mm Ø, 270 mm WL	8754.401	Lap 2.1
Laparoscope, 0°, 2 mm Ø, 159 mm WL	8754.451	Lap 2.1
Laparoscope, 0°, 10 mm Ø, 300 mm WL	8934.411	Lap 2.6
Laparoscope, 0°, 7 mm Ø, 300 mm WL	8933.411	Lap 2.5
Laparoscope, 0°, 3.5 mm Ø, 180 mm WL	8930.451	Lap 2.3
Laparoscope, 0°, 90° eyepiece, 10 mm Ø, 265 mm WL	8912.402	Lap 2.8
Laparoscope, 0°, 90° eyepiece, 12.5 mm Ø, 267 mm WL	8914.402	Lap 2.9
Laparoscope, 0°, 45° eyepiece, 10 mm Ø, 267 mm WL	8915.402	Lap 2.7
Laparoscope, 0°, 5 mm Ø, 300 mm WL	8935.411	Lap 2.4
Laparoscope, 25°, 10 mm Ø, 300 mm WL	8934.412	Lap 2.6
Laparoscope, 25°, 5 mm Ø, 300 mm WL	8935.412	Lap 2.4

Description	Product #	Page #
Laparoscope, 25°, 3.5 mm Ø, 300 mm WL	8930.402	Lap 2.3
Laparoscope, 25°, 7 mm Ø, 300 mm WL	8933.412	Lap 2.5
Laparoscope, 50°, 10 mm Ø, 300 mm WL	8934.413	Lap 2.6
Laparoscope, 50°, 7 mm Ø, 300 mm WL	8933.413	Lap 2.5
Laparoscope, 50°, 5 mm Ø, 300 mm WL	8935.413	Lap 2.4
Laser coupler, CO ₂ , with moisture window	751.00	Lap 13.1
Leakage tester	163.903	Lap 2.10
		Cys 6.1
		Las 9.1
		PCN 6.1
		Ped 5.1
		URS 12.1
		URS 12.2
Lens C, f = 415 mm	751.41	Lap 13.1
Light cable, 1.6 mm, 1.8 M WL	8061.16	Ped 4.4
		Lap 2.10
Light cable, 2.5 mm Ø, 3 M WL	8061.256	Ped 3.1
		Ped 4.1
		Ped 4.2
		Las 9.1
		Ped 4.3
		URS 12.1
		URS 12.2
		Ped 8.1
		Ped 3.4
		Cys 6.1
		Lap 2.10
		Ped 5.1
		PCN 6.1
Light cable, 3.5 mm Ø, 3M WL	8061.356	Lap 2.4
		Lap 2.7
(cont.)	8061.356	Lap 2.8
		Lap 2.9
		Lap 2.3
Light cable, 4.5 mm Ø, 3M WL	8061.456	Lap 2.6
		Lap 2.5

Description	Product #	Page #
Lithotrite, cystoscopic, 25.5 Fr	8658.02	Litho10.1
Luer locking cap, 3 mm	887.00	Lap 11.1
		Lap 6.1
		Lap 6.2
		Lap 6.3
		Lap 6.4
		Lap 6.5
		Lap 6.6
		Lap 3.1
		Lap11.3
		Lap 9.1
Manipulator, uterus 12 mm Ø, 300 mm WL	8370.501	Lap 15.6
Membrane valves, 10/pkg	8920.911	Lap 2.7
		Lap 2.8
		Lap 3.4
		Lap 3.23
		Lap 8.2
		Lap 8.4
Membranes, self sealing, 5/pkg	89.102	PCN 4.2
		PCN 4.2
Microscissors, rigid, 235 mm WL	8283.21	Acc 9.3
Moisture window, replacement, 3/pkg	7500.0053	Lap 13.1
Morcellator, 10 mm Ø, 280 mm WL	8385.00	Lap 4.24
Morcellator, morce power, 10 mm Ø, 280 mm WL	2306.001	Lap 14.1
Myoma screw, 10 mm Ø, 320 mm WL	8385.301	Lap 14.2
		Lap 15.4
Myoma screw, 5 mm Ø, 320 mm WL	8383.611	Lap 14.2
		Lap 15.4
Needle holder, curved, 5 mm Ø, 310 mm WL	8393.514	Lap 11.3
Needle holder, curved, 5 mm Ø, 430 mm WL	8394.514	Lap 11.3
Needle holder, curved, complete, 5 mm Ø, 310 mm WL	8393.511	Lap 11.3

Description	Product #	Page #
Needle holder, curved, complete, 5 mm Ø, 430 mm WL	8394.511	Lap 11.3
Needle holder, Messroghil, curved right, 5 mm Ø, 320 mm WL	8383.534	Lap 11.6
Needle holder, Messroghil, straight, 5 mm Ø, 320 mm WL	8383.533	Lap 11.6
Needle holder, Sarbu, 5 mm Ø, 310 mm WL	8393.506	Lap 11.3
Needle holder, Sarbu, 5 mm Ø, 430 mm WL	8394.506	Lap 11.3
Needle holder, Sarbu, complete, 5 mm Ø, 310 mm WL	8393.503	Lap 11.3
Needle holder, Sarbu, complete, 5 mm Ø, 430 mm WL	8394.503	Lap 11.3
Needle holder, serrated, 3 mm Ø, 320 mm WL	8383.52	Lap 11.1
Needle holder, serrated, 5 mm Ø, 320 mm WL	8383.53	Lap 11.1
Needle holder, straight, 10 mm Ø, 310 mm WL	8395.524	Lap 11.3
Needle holder, straight, 3.5 mm Ø, 310 mm WL	8391.504	Lap 11.3
Needle holder, straight, 5 mm Ø, 310 mm WL	8393.505	Lap 11.3
Needle holder, straight, 5 mm Ø, 310 mm WL	8393.504	Lap 11.3
Needle holder, straight, complete, 5 mm Ø, 310 mm WL	8393.501	Lap 11.3
Needle holder, straight, complete, 10 mm Ø, 310 mm WL	8395.521	Lap 11.3
Needle holder, straight, complete, 5 mm Ø, 310 mm WL	8393.502	Lap 11.3

Description	Product #	Page #
Needle holder, straight, complete, 3.5 mm Ø, 310 mm WL	8391.501	Lap 11.3
Needle, Kaplan, 21 G, 340 mm WL	8625.091	Ped 4.5
Needle, Kaplan, 22 G, 340 mm WL	8625.093	Ped 4.5
Needle, Kaplan, 21 G, 410 mm WL	8625.092	Ped 4.5
Needle, Kaplan, 22 G, 410 mm WL	8625.094	Ped 4.5
Needle, TRU-CUT® biopsy	309.005	Acc 5.1
Needle, Verres 120 mm WL	8302.12	Lap 16.1
Needle, Verres 80 mm WL	8302.08	Lap 16.1
Needle, Verres 150 mm WL	8302.15	Lap 16.1
Nephroscope, 15 Fr, 2.4 mm insert cap., 12°	8968.421	PCN 10.1
Nephroscope, 20.8 Fr, insert cap. 3.5 mm, 205 mm WL	8964.401	PCN 4.2
Nephroscope, 24 Fr, 3.5 mm insert cap, 205 mm WL	8965.401	PCN 4.2
Nephroscope, 45° angled eyepiece, 4 mm insert cap., 25°	8972.433	PCN 4.1
Nephroscope, 90° angled eyepiece, 4 mm insert cap., 25°	8962.433	PCN 4.1
Obturator, hollow, 20.5 Fr	8667.111	Tome 3.1
Obturator, 21 Fr, for 8632.024	8632.121	Las 3.1
Obturator, 40 mm Ø, 300 mm WL	8983.111	Lap 15.5
Obturator, blunt, 10 mm Ø, 145 mm WL	8934.175	Lap 3.12
(cont.)	8934.175	Lap 3.11
Obturator, blunt, 10 mm Ø, 100 mm WL	8934.15	Lap 3.11
		Lap 3.12
Obturator, blunt, beak tip, 24 Fr	8656.13	Res 7.1

Description	Product #	Page #
Obturator, blunt, beak tip, 24 Fr	8668.12	Res 9.1
Obturator, blunt, beak tip, 26 Fr	8668.13	Res 9.1
Obturator, blunt, oblique tip, 16 Fr	15016.333	Res 8.1
		Res 13.2
Obturator, blunt, oblique tip, 24 Fr	8656.17	Res 7.1
Obturator, for 8964.021	8964.121	PCN 4.2
Obturator, for 8965.041	8965.141	PCN 4.2
Obturator, hollow for 8968.011 sheath	8968.111	PCN 10.1
Obturator, hollow for 8968.001 sheath	8968.101	PCN 10.1
Obturator, hollow, 16.5 Fr	8670.111	Tome 2.1
Obturator, standard, beak tip, 21.5 Fr	8656.13	Res 13.2
Obturator, standard, beak tip, 22 Fr	8654.11	Res 13.1
Obturator, standard, beak tip, 24 Fr	8654.12	Res 13.1
		Res 13.1
Obturator, standard, beak tip, 26 Fr	8654.13	Res 13.1
		Res 13.2
Obturator, standard, long, beak tip, 24 Fr	8668.12	Res 13.2
Obturator, standard, long, beak tip, 26 Fr	8668.13	Res 13.2
Obturator, standard, oblique tip, 21.5 Fr	8656.17	Res 13.2
Obturator, standard, oblique tip, 22 Fr	8654.16	Res 4.1
		Res 13.1
		Res 13.1
Obturator, standard, oblique tip, 24 Fr	8654.17	Res 4.1
		Res 4.3
		Res 13.1
		Litho 7.1
		Res 13.1

Description	Product #	Page #
Obturator, standard, oblique tip, 26 Fr	8654.18	Res 4.1
		Res 4.3
		Res 13.1
		Res 13.2
Obturator, standard, oval, oblique tip, 24 Fr	8658.174	Res 13.2
		Res 6.3
Obturator, standard, oval, oblique tip, 25.5 Fr	8658.151	Res 5.1
		Res 6.1
		Res 13.2
Obturator, Timberlake, beak tip, 22 Fr	8654.61	Res 3.1
		Res 13.1
Obturator, Timberlake, beak tip, 24 Fr	8654.62	Res 3.1
		Res. 3.3
		Res 13.1
Obturator, Timberlake, beak tip, 26 Fr	8654.63	Res 3.1
		Res 13.2
Obturator, Timberlake, oblique tip, 22 Fr	8654.66	Res 3.1
		Res 3.3
		Res 13.1
		Res 13.1
Obturator, Timberlake, oblique tip, 24 Fr	8654.67	Res 3.1
		Res 3.3
		Res 13.1
		Res 13.1
		Litho 7.1 Las 7.1
Obturator, Timberlake, oblique tip, 26 Fr (cont.)	8654.68	Res 3.1
		Res 3.3
		Res 13.1 Res 13.2
Obturator, Timberlake, oval, oblique tip, 24 Fr	8658.194	Res 5.3
		Res 13.2

Description	Product #	Page #
Obturator, viewing, 17.5 Fr	8650.714	Cys 3.6
Obturator, viewing, 19.5 Fr	8650.724	Cys 3.6
Obturator, viewing, 21 Fr	8650.734	Cys 3.6
Obturator, viewing, 23 Fr	8650.744	Cys 3.6
Obturator, visual, beak tip, 22 Fr	8415.01	Res 13.1
Obturator, visual, beak tip, 24 Fr	8415.02	Res 13.1
		Res 13.1
Obturator, visual, beak tip, 26 Fr	8415.03	Res 13.1
		Res 13.2
Obturator, visual, oblique tip, 22 Fr	8415.11	Res 13.1
		Res 13.1
Obturator, visual, oblique tip, 24 Fr	8415.12	Res 13.1
		Res 13.1
Obturator, visual, beak tip, 26 Fr	8415.13	Res 13.1
		Res 13.2
Obturator, visual, oval, oblique tip, 25.5 Fr	8657.151	Res 13.2
		Res 13.2
Obturator, visual, oval, oblique tip, 24 Fr	8658.184	Res 13.2
		Res 13.2
Obturator, Timberlake, beak tip, 26 Fr	8654.63	Res 3.3
		Res 13.1
		Res 13.1
O-Rings, for 7-12.5 mm trocars	8923.951	Lap 3.24
		Lap 3.9
		Lap 3.14
		Lap 3.13
		Lap 3.7
O-Rings, for 3.5-5.5 mm trocars	8921.951	Lap 3.24
		Lap 3.2
		Lap 3.3
Pin matt	8585.484	Ped 9.2
Pole, for I.V., used w/clamps & mounting rails	31110.905	Lap 16.8
Pole, for I.V., w/ sturdy 5 arm base	2215.974	Lap 16.8
Port, instrument, bayonet lock, inner dia. 2x10 mm	8983.201	Lap 15.5
Power cord	N710154	Litho 6.1

Description	Product #	Page #
Power cord		Res 18.1
		Lap 14.1
		Lap 16.2
		Lap 16.3
Power cord	N710171	Lap 16.7
Probe tip, large, bulb 10 mm Ø, 85 mm WL	8370.513	Lap 15.6
Probe tip, medium, bulb 7.5 mm Ø, 65 mm WL	8370.512	Lap 15.6
Probe tip, short, bulb, 7.5 mm Ø, 45 mm WL	8370.511	Lap 15.6
Probe, 2.5 mm Ø	8367.20	Lap 15.1
Probe, graduated, 5 mm Ø, 450 mm WL	8384.66	Lap 12.5
Probe, graduated, 3.5 mm Ø, 310 mm WL	8379.672	Lap 12.4
Probe, graduated, 3 mm Ø, 320 mm WL	8379.66	Lap 12.4
Probe, graduated, 3 mm Ø, 450 mm WL	8380.66	Lap 12.4
Probe, HF spatula, 5 mm Ø, 310 mm WL	8383.811	Lap 8.1
		Lap 8.5
Probe, solid, 5 mm Ø, 320 mm WL	8383.661	Lap 12.5
Probe, solid, 5 mm Ø, 450 mm WL	8384.661	Lap 12.5
Probe, solid, titanium, 5 mm Ø, 320 mm WL	8383.662	Lap 12.5
Probe, solid, titanium, 5 mm Ø, 450 mm WL	8384.662	Lap 12.5
Proximal end-cap	8852.90	Lap 8.8
Roller suction pump, with CAN-bus option, for "RIWO-NET"	2207.012	Litho 6.1
		Res 18.1
Pump, roller suction, 100-230V, 50/60 Hz	2207.011	Res 18.1
		Litho 6.1
Rail, mounting, for use on vertical surfaces	31110.901	Lap 16.8

Description	Product #	Page #
Reducer, Vario Port, 12.5-5.5 mm	8923.802	Lap 3.13
		Lap 3.14
		Lap 3.21
		Lap 3.7
		Lap 16.2
		Lap 16.3
		Lap 3.9
Reducer, Vario Port, 12.5-10 mm	8924.802	Lap 3.13
		Lap 3.14
		Lap 3.21
		Lap 16.2
		Lap 16.3
Retractor, tissue, curved, 7 mm Ø, 300 mm WL	8243.701	Lap 9.1
Retractor, tissue, straight, 5 mm Ø, 300 mm WL	8383.691	Lap 9.1
Retractors, tissue, S-shaped	8928.90	Lap 3.12
		Lap 3.11
Rings, wire, for holding suction canisters, 12/pkg	2215.973	Lap 16.8
Scalpel, percutaneous fascia	8962.72	PCN 3.2
Scalpel, stricture, 16 Fr	8666.28	Res 8.1
Scalpel, stricture, Erlangen, hook-shaped, pediatric	8677.94	Ped 7.3
Scalpel, stricture, half moon shaped	8725.951	URS 10.1
Scalpel, stricture, half-moon blade, infant	8693.96	Ped 7.3
Scalpel, stricture, half-moon blade, pediatric	8675.28	Ped 7.3
Scalpel, stricture, half-moon shaped	8693.96	Ped 6.1
Scalpel, stricture, half-moon, 10 Fr, 345 mm WL	8962.951	Acc 12.1
		PCN 5.2
Scalpel, stricture, hollow, flexible, 20 mm WL	8667.852	PCN 8.2
Scalpel, stricture, hollow, flexible, 60 mm WL	8667.856	PCN 8.2

Description	Product #	Page #
Scalpel, stricture, hollow, half-moon, ceramic tip	8667.966	Tome 3.2
Scalpel, stricture, hollow, half-moon, ceramic tip	8670.965	Tome 2.2
Scalpel, stricture, hollow, half-moon, rigid	8667.965	PCN 8.2
		Tome 3.2
Scalpel, stricture, hollow, lancet, ceramic tip	8670.981	Tome 2.2
Scalpel, stricture, hollow, serrated blade, rigid	8667.955	PCN 8.2
		Tome 3.2
Scalpel, stricture, hollow, shark-fin, ceramic tip	8667.971	Tome 3.2
Scalpel, stricture, hook shaped	8724.981	URS 10.2
Scalpel, stricture, hook shaped	8725.952	URS 10.1
Scalpel, stricture, Erlangen, hook-shaped, infant	8688.94	Ped 7.3
		Ped 6.1
Scalpel, stricture, lancet blade, infant	8688.98	Ped 7.3
		Ped 6.1
Scalpel, stricture, lancet blade, 7 Fr, 325 mm WL	8645.98	Acc 12.1
Scalpel, stricture, sickle shaped, infant	8693.93	Ped 7.3
Scalpel, stricture, sickle shaped, pediatric	8677.93	Ped 7.3
		Ped 6.1
Scalpel, stricture, solid, half-moon, rigid	8667.96	PCN 8.2
		Tome 3.2
Scalpel, stricture, solid, half-moon, ceramic tip	8667.961	Tome 3.2
Scalpel, stricture, solid, half-moon, ceramic tip	8670.961	Tome 2.2
Scalpel, stricture, solid, hook-shaped, rigid	8667.94	PCN 8.2
		Tome 3.2

Description	Product #	Page #
Scalpel, stricture, solid, lancet, ceramic tip	8667.981	Tome 3.2
Scalpel, stricture, solid, lancet-shaped, rigid	8667.98	PCN 8.2
		Tome 3.2
Scalpel, stricture, solid, serrated blade, rigid	8667.95	PCN 8.2
		Tome 3.2
Scalpel, stricture, solid, sickle-shaped, rigid	8667.93	PCN 8.2
		Tome 3.2
Scissors, 10 mm Ø, 335 mm WL	8385.11	Lap 5.7
Scissors, blunt, single action blade, 5 mm Ø, 320 mm WL	8383.028	Lap 5.1
Scissors, curved left, double action, 10 mm Ø, 310 mm WL	8395.005	Lap 5.6
Scissors, curved left, double action, complete, 10 mm Ø, 310 mm WL	8395.0051	Lap 5.6
Scissors, flexible, 5 Fr, 545 mm WL	8950.28	URS 14.3
Scissors, flexible, 7 Fr, 365 mm WL	830.07	Acc 10.2
		Cys 5.2
Scissors, hook, "Grip Line", 5 mm Ø, 310 mm WL	8393.0068	Lap 4.25
Scissors, hook, "Grip Line", 5 mm Ø, 430 mm WL	8394.0068	Lap 4.25
Scissors, hooked, 5 mm Ø, 430 mm WL	8394.006	Lap 5.4
Scissors, hooked, 5 mm Ø, 320 mm WL	8383.45	Lap 5.5
Scissors, hooked, 5 mm Ø, 310 mm WL	8393.006	Lap 5.4
Scissors, hooked, semi-rigid, 7 Fr, 320 mm WL	8992.64	Acc 9.3

Description	Product #	Page #
Scissors, hooked, 3 mm Ø, 3 20 mm WL	8379.021	Lap 4.1b
Scissors, hooked, 3 mm Ø, 450 mm WL	8380.021	Lap 4.1b
Scissors, hooked, complete, 5 mm Ø, 310 mm WL	8393.0063	Lap 5.4
Scissors, hooked, complete, 5 mm Ø, 430 mm WL	8394.0063	Lap 5.4
Scissors, hooked, one blade opening, 3.5 mm Ø, 310 mm WL	8391.014	Lap 5.2
Scissors, hooked, one blade opening, complete, 3.5 mm Ø, 310 mm WL	8391.0143	Lap 5.2
Scissors, hooked, single action blade, 3 mm Ø, 320 mm WL	8379.021	Lap 5.1
Scissors, hooked, single action blade, 3 mm Ø, 450 mm WL	8380.021	Lap 5.1
Scissors, hooked, single action blade, 5 mm Ø, 320 mm WL	8383.026	Lap 5.1
Scissors, hooked, single action blade, 5 mm Ø, 450 mm WL	8384.022	Lap 5.1
Scissors, Metzenbaum, 3.5 mm Ø, 430 mm WL	8389.006	Lap 5.2
Scissors, Metzenbaum, 3.5 mm Ø, 240 mm WL	8390.006	Lap 5.2
Scissors, Metzenbaum, 3.5 mm Ø, 310 mm WL	8391.006	Lap 5.2
Scissors, Metzenbaum, "Grip Line", 5 mm Ø, 430 mm WL	8394.0248	Lap 4.25
Scissors, Metzenbaum, "Grip Line", 5 mm Ø, 310 mm WL	8393.0248	Lap 4.25

Description	Product #	Page #
Scissors, Metzenbaum, complete, 3.5 mm Ø, 240 mm WL	8390.0063	Lap 5.2
Scissors, Metzenbaum, complete, 3.5 mm Ø, 310 mm WL	8391.0063	Lap 5.2
Scissors, Metzenbaum, complete, 3.5 mm Ø, 430 mm WL	8389.0063	Lap 5.2
Scissors, Metzenbaum, curved left, 5 mm Ø, 240 mm WL	8392.024	Lap 5.3
Scissors, Metzenbaum, curved left, 5 mm Ø, 310 mm WL	8393.024	Lap 5.3
Scissors, Metzenbaum, curved left, 5 mm Ø, 430 mm WL	8394.024	Lap 5.3
Scissors, Metzenbaum, curved left, complete, 5 mm Ø, 240 mm WL	8392.0243	Lap 5.3
Scissors, Metzenbaum, curved left, complete, 5 mm Ø, 310 mm WL	8393.0243	Lap 5.3
Scissors, Metzenbaum, curved left, complete, 5 mm Ø, 430 mm WL	8394.0243	Lap 5.3
Scissors, Metzenbaum, curved left, complete, single action, 5 mm Ø, 240 mm WL	8392.0153	Lap 5.4
Scissors, Metzenbaum, curved left, pack of 3 (8393.024), 5 mm Ø, 310 mm WL	8393.034	Lap 5.3

Description	Product #	Page #
Scissors, Metzenbaum, curved left, pack of 3 (8394.024), 5 mm Ø, 430 mm WL	8394.034	Lap 5.3
Scissors, Metzenbaum, curved left, single action, 5 mm Ø, 240 mm WL	8392.015	Lap 5.4
Scissors, Metzenbaum, curved left, single action, 5 mm Ø, 310 mm WL	8393.015	Lap 5.4
Scissors, Metzenbaum, curved left, single action, 5 mm Ø, 430 mm WL	8394.015	Lap 5.4
Scissors, Metzenbaum, curved left, single action, complete, 5 mm Ø, 310 mm WL	8393.0153	Lap 5.4
Scissors, Metzenbaum, curved left, single action, complete, 5 mm Ø, 430 mm WL	8394.0153	Lap 5.4
Scissors, micro, 5 mm Ø, 310 mm WL	8382.02	Lap 5.5
Scissors, micro, double action, 5 mm Ø, 310 mm WL	8393.014	Lap 5.4
Scissors, micro, double action, complete, 5 mm Ø, 310 mm WL	8393.0143	Lap 5.4
Scissors, retrograde, flexible, 5 Fr, 545 mm WL	8950.28	Acc 10.2
Scissors, rigid, optical, Wuppertal, 19.5 Fr	8650.644	Cys 3.3
		Res 15.1
		Cys 4.3
Scissors, sawtooth, 5 mm Ø, 320 mm WL	8383.46	Lap 5.5

Description	Product #	Page #
Scissors, semi-rigid, 5 Fr, 355 mm WL	8642.681	Acc 9.3
Scissors, semi-rigid, hooked, 7 Fr	8992.64	Cys 5.2
Scissors, straight, 2 mm Ø, 240 mm WL	8756.001	Lap 4.1a
Scissors, straight, double action, 5 mm Ø, 240 mm WL	8392.025	Lap 5.4
Scissors, straight, double action, 5 mm Ø, 310 mm WL	8393.025	Lap 5.4
Scissors, straight, double action, 5 mm Ø, 430 mm WL	8394.025	Lap 5.4
Scissors, straight, double action, complete, 5 mm Ø, 240 mm WL	8392.0253	Lap 5.4
Scissors, straight, double action, complete, 5 mm Ø, 310 mm WL	8393.0253	Lap 5.4
Scissors, straight, double action, complete, 5 mm Ø, 430 mm WL	8394.0253	Lap 5.4
Scissors, straight, dual action blade, 2 mm Ø, 240 mm WL	8756.001	Lap 5.1
Screw-on cap, 3.5 mm Ø	8393.976	Lap 6.2
Screw-on cap, with sleeve, 3.5 mm Ø	8393.978	Lap 6.2
Sealing adapter	8385.903	Lap 8.1
		Lap 8.2
		Lap 8.4
Sealing cap, long, red, 1-2 mm, 12/pkg	18.01RE	Lap 3.22
Sealing cap, red, no hole, 12/pkg	88.00RE	Lap 3.22
Sealing cap, red, up to 1 mm, 12/pkg	88.005RE	Lap 3.22
Sealing cap, red, 1-2 mm, 12/pkg	88.01RE	Lap 3.22
		Lap 3.1
Sealing cap, blue, 2-3 mm, 12/pkg	88.02BL	Lap 3.22
		Lap 11.1

Description	Product #	Page #
Sealing cap, black, 3-4 mm, 12/pkg	88.03BK	Lap 3.22
		Lap 6.2
		Lap 6.1
		Lap 6.4
		Lap 6.5
		Lap 6.6
Sealing cap, green, 4-5 mm, 12/pkg	88.04GR	Lap 3.22
		Lap 6.9
		Lap 3.22
Sealing cap, black, 2 mm, 12/pkg	89.00BK	Lap 3.22
		Lap 3.22
Sealing cap, red, 2-3 mm, 12/pkg	89.01RE	Lap 3.22
		Lap 3.1
		Lap 3.2
		Lap 3.24
		Lap 8.8
		Lap 3.22
Sealing cap, blue, 3-4 mm, 12/pkg	89.02BL	Lap 3.22
		Lap 6.7
		Lap 6.8
		Lap 3.24
		Lap 2.7
		Lap 2.8
		Lap 3.4
		Lap 3.5
		Lap 3.6
		Lap 3.7
		Lap 3.9
		Lap 3.13
		Lap 3.23
		Lap 10.1
(cont.)	89.02BL	Lap 11.2
		Lap 3.3
		PCN 4.2
		PCN 4.2
Sealing cap, grey, 5-6 mm, 12/pkg	89.03GY	Lap 3.21
		Lap 3.22
		Lap 3.22
Sealing cap, brown, 6-7 mm, 12/pkg	89.04BR	Lap 3.22
		Lap 3.22
Sealing cap, brown, 6-7 mm, 12/pkg	89.171BR	Lap 3.22
		Lap 3.7
		Lap 3.24
Sealing cap, for suction irrigation system	8385.902	Lap 8.1
		Lap 8.2

Description	Product #	Page #
Sealing cap, yellow, 12/pkg	89.05 YE	Lap 3.8
		Lap 2.9
		Lap 3.22
Sealing cap, green, 8-9 mm, 12/pkg	89.06GR	Lap 3.22
		Lap 3.22
Sealing cap, black, 9-9.5 mm, 12/pkg	89.07BK	Lap 3.22
		Lap 3.22
Sealing cap, red, 9.5-10 mm, 12/pkg	89.08RE	Lap 3.22
		Lap 3.9
		Lap 3.10
		Lap 3.13
Sealing cap, red, 9.5-10 mm, 12/pkg	89.08RE	Lap 3.14
		Lap 3.23
		Lap 3.24
Sealing cap, blue, 10-12 mm, 12/pkg	89.09BL	Lap 3.21
		Lap 3.24
		Lap 3.13
Sealing cap, blue, 10-12 mm, 12/pkg	89.09BL	Lap 3.14
		Lap 3.14
Sealing cap, red, 13-14 mm, 12/pkg	89.10RE	Lap 3.22
		Lap 3.22
Sealing cap, 15 mm, red, no hole, 12/pkg	89.20RE	Lap 3.22
		Lap 3.22
Sealing cap, red, 17 mm, no hole, 12/pkg	89.21RE	Lap 3.22
		Lap 3.22
Sealing cap, self sealing, red, 3.4-4.5 mm, 12/pkg	89.90RE	Lap 3.22
		Lap 3.22
Sheath tube, extended insulation, 5 mm Ø, 310 mm WL	8393.913	Lap 4.8
		Lap 4.8
Sheath tube, extended insulation, 5 mm Ø, 430 mm WL	8394.913	Lap 4.8
		Lap 4.8
Sheath tube, insulated, 5 mm Ø, 240 mm WL	8392.911	Lap 5.3
		Lap 5.4
		Lap 4.4
Sheath tube, insulated, 5 mm Ø, 240 mm WL	8392.911	Lap 4.6
		Lap 4.8
		Lap 4.8
Sheath tube, insulated, 5 mm Ø, 310 mm WL	8393.911	Lap 5.3
		Lap 5.4
		Lap 4.17
Sheath tube, insulated, 5 mm Ø, 310 mm WL	8393.911	Lap 4.4
		Lap 4.5
		Lap 4.6

Description	Product #	Page #
Sheath tube, insulated, 5 mm Ø, 310 mm WL		Lap 4.7
		Lap 4.8
		Lap 4.8
		Lap 4.9
Sheath tube, insulated, 5 mm Ø, 430 mm WL	8394.911	Lap 5.3
		Lap 5.4
		Lap 4.5
		Lap 4.6
		Lap 4.7
		Lap 4.8
		Lap 4.9
		Lap 4.4
Sheath tube, uninsulated, 10 mm Ø, 370 mm WL	8397.901	Lap 4.22
Sheath tube, uninsulated, 10 mm Ø, 310 mm WL	8395.901	Lap 4.20
		Lap 4.21
		Lap 4.22
		Lap 5.6
Sheath tube, uninsulated, 5 mm Ø, 310 mm WL	8393.901	Lap11.4
Sheath, outer for continuous flow, urethrotome, 19.5 Fr.	8670.061	Tome 2.1
Sheath, 11.5 Fr, insulated, distal end	8724.021	URS 10.2
Sheath, 24 Fr, 205 mm WL	8632.111	Litho 7.1
(cont.)	8632.111	Las 7.1
Sheath, 9/11.5 Fr	8725.021	URS 10.1
Sheath, inner CFR, beak tip, 24 Fr	8656.037	Res 7.1
		Res 13.2
Sheath, inner CFR, beak tip, 27 Fr	8655.084	Res 3.3
		Res 13.1
Sheath, inner CFR, beak tip, 28.9 Fr	8655.094	Res 3.3
		Res 13.2
Sheath, inner CFR, oblique tip, 24 Fr	8656.077	Res 7.1
		Res 13.2
Sheath, inner CFR, oblique tip, 25.5 Fr	8655.144	Res 3.3
		Res 13.1

Description	Product #	Page #
Sheath, inner CFR, oblique tip, 27 Fr	8655.184	Res 3.3
		Res 4.3
		Res 13.1
Sheath, inner CFR, oblique tip, 28.9 Fr	8655.194	Res 3.3
		Res 4.3
		Res 13.2
Sheath, inner CFR, oval, oblique tip, 27 Fr	8658.084	Res 5.3
		Res 6.3
		Res 13.2
Sheath, inner percutaneous, insulated tip	8962.122	PCN 7.1
		PCN 8.1
Sheath, inner, CFC, for 8632.024	8632.025	Las 3.1
Sheath, nephroscope, 24 Fr, 205 mm WL	8965.041	PCN 4.2
Sheath, nephroscope, 15 Fr, 205 mm WL	8968.001	PCN 10.1
Sheath, nephroscope, 18 Fr, 205 mm WL	8968.011	PCN 10.1
Sheath, nephroscope, 20.8 Fr, 205 mm WL	8964.021	PCN 4.2
Sheath, nephroscope, 27 Fr, 175 mm WL	8962.06	PCN 4.1
Sheath, obturator, 8.5 Fr	8693.01	Ped 6.1
Sheath, obturator, 9 Fr	8688.01	Ped 7.2
Sheath, obturator, exam only, 7.5 Fr	8686.01	Ped 3.4
Sheath, obturator, 1x3, 8.5 Fr	8686.02	Ped 3.4
Sheath, obturator, 1x4, 9.5 Fr,	8686.03	Ped 3.4
Sheath, obturator, 11.5 Fr	8677.012	Ped 7.1
Sheath, obturator, 14.5 Fr, 1x5	8660.014	Cys 7.1
Sheath, obturator, 16 Fr, 1x5, 2x4	8660.024	Cys 7.1
		Cys 7.1
Sheath, obturator, 17.5 Fr, 1x7, 2x5	8660.034	Cys 7.1
		Cys 7.1

Description	Product #	Page #
Sheath, obturator, 16 Fr, 1x5	8650.014	Cys 3.1
Sheath, obturator, 16 Fr, 1x5	8652.014	Cys 4.1
Sheath, obturator, 17.5 Fr, 1x5, 2x4	8650.024	Cys 3.2
		Cys 3.1
Sheath, obturator, 17.5 Fr, 1x5, 2x4	8652.024	Cys 4.2
		Cys 4.1
Sheath, obturator, 19.5 Fr, 1x7, 2x5	8650.034	Cys 3.1
		Cys 3.2
		Las 8.1
Sheath, obturator, 19.5 Fr, 1x7, 2x5	8652.034	Cys 4.2
		Cys 4.1
Sheath, obturator, 21 Fr, 1x10, 2x6	8650.044	Cys 3.2
		Cys 3.1
Sheath, obturator, 21 Fr, 1x10, 2x6	8652.044	Cys 4.1
		Las 5.1
		Cys 8.2
		Cys 8.1
		Cys 4.2
Sheath, obturator, 23 Fr, 1x12, 2x7	8650.054	Cys 3.2
		Cys 3.1
Sheath, obturator, 25 Fr, 1x15 Fr	8650.064	Cys 3.5
Sheath, obturator, exam only, 11 Fr	8672.01	Ped 3.1
Sheath, obturator, 1x4, 12 Fr	8672.02	Ped 3.1
Sheath, obturator, 1x4, 12 Fr	8672.82	Ped 3.1
Sheath, obturator, 1x5 or 2x4, 13 Fr	8672.03	Ped 3.1
Sheath, obturator, 1x5 or 2x4, 14 Fr	8672.04	Ped 3.2
Sheath, outer CFR, beak tip, 24 Fr	8656.034	Res 7.1
		Res 13.2
Sheath, outer CFR, oblique tip, 24 Fr	8656.074	Res 7.1
		Res 13.2
Sheath, outer CFR, oblique tip, 25.5 Fr	8655.134	Res 3.3
		Res 13.1
Sheath, outer CFR, beak tip, 27 Fr	8655.074	Res 3.3
		Res 13.1

Description	Product #	Page #
Sheath, outer CFR, beak tip, 28.9 Fr	8655.093	Res 3.3
		Res 13.2
Sheath, outer CFR, oblique tip, 27 Fr	8655.174	Res 3.3
		Res 4.3
		Res 13.1
Sheath, outer CFR, oblique tip, 28.9 Fr	8655.193	Res 3.3
		Res 4.3
		Res 13.2
Sheath, outer CFR, oval, oblique tip, 27 Fr	8658.074	Res 5.3
		Res 6.3
		Res 13.2
Sheath, outer, CFC, 21 Fr	8632.024	Las 3.1
Sheath, resectoscope, central two-way tap, beak tip, 24 Fr	8663.024	Res 3.1
		Res 13.1
Sheath, resectoscope, beak tip, central two-way tap, 26 Fr	8663.034	Res 3.1
		Res 13.1
Sheath, resectoscope, central two-way tap, oblique tip, 22 Fr	8663.064	Res 13.1
		Res 3.1
		Res 4.1
Sheath, resectoscope, central two-way tap, oblique tip, 24 Fr	8663.074	Res 3.1
		Res 4.1
		Res 13.1
Sheath, resectoscope, central two-way tap, oblique tip, 26 Fr	8663.084	Res 3.1
		Res 4.1
		Res 13.1
Sheath, resectoscope, central two-way tap, oval, oblique tip, 25.5 Fr	8657.054	Res 5.1
		Res 6.1

Description	Product #	Page #
Sheath, resectoscope, fixed post, beak tip, 24 Fr	8661.024	Res 3.1
		Res 13.1
Sheath, resectoscope, fixed post, beak tip, 26 Fr	8661.034	Res 3.1
		Res 13.1
Sheath, resectoscope, fixed post, oblique tip, 24 Fr	8661.074	Res 4.1
		Res 3.1
		Res 13.1
Sheath, resectoscope, fixed post, oblique tip, 26 Fr	8661.084	Res 4.1
		Res 13.1
		Res 3.1
Sheath, resectoscope, fixed post, oblique tip, 16 Fr	8666.024	Res 13.2
Sheath, resectoscope, long, beak tip, 24 Fr	8668.024	Res 13.2
		Res 9.1
Sheath, resectoscope, long, beak tip, 26 Fr	8668.034	Res 13.2
		Res 9.1
Sheath, resectoscope, oval, oblique tip, 25.5 Fr	8658.054	Res 13.2
		Res 5.1
Sheath, resectoscope, rotatable collar, 16 Fr	8666.024	Res 8.1
Sheath, resectoscope, rotatable collar, beak tip, 22 Fr	8654.014	Res 3.1
		Res 13.1
Sheath, resectoscope, rotatable collar, beak tip, 24 Fr	8654.024	Res 3.1
		Res 13.1
Sheath, resectoscope, rotatable collar, beak tip, 26 Fr	8654.034	Res 3.1

Description	Product #	Page #
		Res 13.1
Sheath, resectoscope, rotatable collar, oblique tip, 22 Fr	8654.064	Res 3.1
		Res 4.1
		Res 13.1
Sheath, resectoscope, rotatable collar, oblique tip, 24 Fr	8654.074	Res 3.1
		Res 4.1
		Res 13.1
Sheath, resectoscope, rotatable collar, oblique tip, 26 Fr	8654.084	Res 3.1
		Res 4.1
		Res 13.1
Sheath, resectoscope, rotatable collar, oval, oblique tip, 25.5 Fr	8658.054	Res 6.1
Sheath, ureteral access, 14 Fr	8706.042	URS 4.1
Sheath, urethrotome, 20.5 Fr	8667.011	Tome 3.1
Sheath, urethrotome, 16.5 Fr.	8670.011	Tome 2.1
Sleeve Cap, 10 mm	15114.045	Lap 3.24
Sleeve Cap, 12.5 mm	15114.044	Lap 3.24
Sleeve Cap, 3.5 mm	15157.190	Lap 3.24
Sleeve Cap, 5.5 mm	15157.189	Lap 3.24
Sleeve Cap, 7 mm	15114.043	Lap 3.24
Sleeve dilation and guide, 5-10 mm Ø	8934.95	Lap 3.18
Sleeve, dilation, 5.5-10 mm Ø	8923.931	Lap 3.17
Sleeve, dilation, 10-12.5 mm Ø	8924.931	Lap 3.17
Sleeve, dilation and guide, 10-15 mm Ø	8943.911	Lap 15.7
		Lap 3.19
		Lap 14.2
Sleeve, dilation, 10-20 mm Ø	8945.911	Lap 3.19

Description	Product #	Page #
Sleeve, dilation, 2-3.5 mm Ø	8309.931	Lap 3.1
		Lap 3.17
Sleeve, insertion	8383.00	Lap 12.3
		Lap 3.4
		Lap 12.2
Sleeve, insertion, for simultaneous suction / irrigation	8383.756	Lap 8.8
Sleeve, instrument and extractor, 20 mm Ø	8945.982	Lap 3.19
Sleeve, instrument and extractor, 15 mm Ø	8943.982	Lap 3.19
Sleeve, instrument and extractor, 10/5 mm Ø, 170 mm WL	8385.50	Lap 3.21
		Lap 3.18
		Lap 3.17
Sleeve, introducing, 5-10 mm Ø	8934.981	Lap 4.18
		Lap 4.19
		Lap 4.17
Sleeve, introducing, 10 mm Ø	8389.991	Lap 10.1
Sleeve, protective sterilization for electrodes or stricture scalpels	8428.901	Tome 2.1
		Tome 3.2
		Res 11.2
Sleeve, reducing, 8-7mm Ø	8388.98	Lap 15.3
Sleeve, reducing, 12-10 mm Ø	8941.901	Lap 3.21
Sleeve, reducing, 10/5 mm Ø, 160 mm WL	8934.98	Lap 3.21
Sleeve, reducing, 12/5 mm Ø, 180 mm WL	8941.951	Lap 3.17
		Lap 3.21
Sleeve, self-retaining, 10 mm Ø	8934.301	Lap 3.9
		Lap 3.10
Sleeve, self-retaining, 5 mm Ø	8940.301	Lap 3.6
Sliding cone	8934.901	Lap 3.12
		Lap 3.11
Sliding seal housing, replacement for needle holders	8383.521	Lap 11.1

Description	Product #	Page #
Sliding sleeve, 5 mm Ø, 450 mm WL	8394.923	Lap 6.3
		Lap 6.4
		Lap 6.5
		Lap 6.6
Sliding sleeve, 5 mm Ø, 320 mm WL	8393.923	Lap 6.3
		Lap 6.4
		Lap 6.5
		Lap 6.6
Spacer	8652.70	Cys 4.3
		Cys 4.4
		Res 15.1
		Res 15.2
Spacers, for use w/ mounting rails	75093.052	Lap 16.8
Spare suction ball	8558.83	Acc 5.2
Spring	15006.087	Lap 3.23
Spring	15006.161	Lap 3.23
Spring	15006.293	Lap 3.24
Spring, for protective trocar sleeve	15006.324	Lap 3.9
Spring, replacement, for needle holders	15006.307	Lap 11.1
Stand, irrigation	2215.991	Lap 16.7
Sterilization rack for Bougies à boule	8596.99	Acc 4.2
Sterilization tube	8428.901	Ped 9.2
Stone basket, disposable, 3 Fr, 910 mm WL	8137.334	URS 12.2
		URS 12.2
Stone basket, disposable, 4Fr, 700 mm WL	8137.344	URS 12.2
		URS 12.2
Stopcock, w/ shut-off, 3 mm	884.00	Res 16.1
		Acc 6.1
Stopcock, w/ shut-off, 4 mm	884.01	Res 16.1
		Acc 6.1
Stricture scalpel, lancet-shaped, 7 Fr	8645.98	Cys 5.2
Syringe, bladder, 100 ml	822.32	Acc 5.2
Syringe, bladder, 75 ml	846.31	Acc 5.2
Syringe, bladder, 150 ml	822.31	Acc 5.2

Description	Product #	Page #
Syringe, bladder, B cone, 150 ml	822.40	Acc 5.2
Syringe, ratcheted, 1 ml	8315.04	Ped 4.5
Thumb screw	9008.049	Lap 11.1
Tray, 3 in 1 storage, 31"x 5 1/2"x 2 3/4"	8585.115	Ped 8.2
		Cys 6.1
		Cys 9.2
		URS 3.2
		URS 4.2
		URS 5.2
		URS 6.2
		URS 7.2
		URS 8.2
		URS 9.2
Tray, dual ureteroscope, 29"x 9 1/8"x 3"	8585.015	URS 8.2
		URS 9.2
		URS 5.2
		URS 6.2
		URS 7.2
		URS 3.2
		Ped 8.2
		URS 4.2
Tray, gas/storage, for flexibles	573.101	URS 12.1
		URS 12.2
Tray, infant cysto / resection, 9"x 20.5"x 3.5"	8585.071	Ped 9.2
Tray, laparoscopic, 27" x 11" x 8" (lwxh)	8585.021	Lap 17.1
Tray, laparoscopic, 23" x 11" x 8" (lwxh)	8585.011	Lap 17.1
		Lap 4.25
		Lap 4.26
		Lap 4.27
		Lap 4.28
		Lap 4.29
Tray, universal, single level, 23"x11"x 3.5"	8585.023	Ped 9.1
		Cys 9.1
		PCN 11.1
		Res 19.1
Tray, universal, double layer, 25" x 11" x 5"	8585.025	Lap 17.1
		Ped 9.1

Description	Product #	Page #
		Cys 9.1
		PCN 11.1
		Res 19.1
Trocar sleeve, trumpet valve, 15 mm Ø	8943.011	Lap 3.19
		Lap 14.2
		Lap 15.7
Trocar sleeve, trumpet valve, 20 mm Ø	8945.011	Lap 3.19
Trocar sleeve, 16 Fr	8518.04	Res 17.1
Trocar sleeve, graduated, stop-cock, 2.5 mm Ø	8367.03	Lap 15.1
Trocar sleeve, high-flow, RIWO-ART, 10 mm Ø, 100 mm WL	8923.042	Lap 16.2
		Lap 3.14
		Lap 16.3
Trocar sleeve, high-flow, RIWO-ART, 12.5 mm Ø, 100 mm WL	8924.042	Lap 16.2
		Lap 3.14
		Lap 16.3
Trocar sleeve, insulated, 5.5 mm Ø, 120 mm WL	8351.03	Lap 3.5
Trocar sleeve, insulated, w/ cock, 5.5 mm Ø, 100 mm WL	8940.07	Lap 3.5
Trocar sleeve, insulated, w/o cock, 5.5 mm Ø, 100 mm WL	8351.07	Lap 3.5
Trocar sleeve, metal, 2mm Ø, 60 mm WL	8309.012	Lap 3.1
		Lap 3.17
Trocar sleeve, metal, 2 mm Ø, 100 mm WL	8309.014	Lap 3.1
Trocar sleeve, metal, oblique distal tip, 10 mm Ø, 100 mm WL	8923.013	Lap 3.9
Trocar sleeve, metal, port, RIWO-ART, 10 mm Ø, 150 mm WL	8923.016	Lap 3.9

Description	Product #	Page #
Trocar sleeve, metal, port, RIWO-ART, 5.5 mm Ø, 100 mm WL	8921.023	Lap 3.3
Trocar sleeve, metal, port, threaded, oblique tip, 10 mm Ø, 100 mm WL	8923.023	Lap 3.9
Trocar sleeve, metal, RIWO-ART, 3.5 mm Ø, 100 mm WL	8903.014	Lap 3.2
Trocar sleeve, metal, RIWO-ART, 5.5 mm Ø, 100 mm WL, port	8921.013	Lap 3.3
Trocar sleeve, metal, RIWO-ART, 5.5 mm Ø, 100 mm WL, port	8921.014	Lap 3.3
Trocar sleeve, metal, RIWO-ART, 5.5 mm Ø, 60 mm WL	8921.062	Lap 3.3
Trocar sleeve, metal, RIWO-ART, 5.5 mm Ø, 60 mm WL, w/o port	8921.051	Lap 3.3
Trocar sleeve, metal, RIWO-ART, 5.5 mm Ø, 60 mm WL, w/o port	8921.052	Lap 3.3
Trocar sleeve, metal, RIWO-ART, 5.5 mm Ø, 60 mm WL, w/o port	8921.061	Lap 3.3
Trocar sleeve, metal, RIWO-ART, 7 mm Ø, 100 mm WL	8922.014	Lap 3.7
Trocar sleeve, metal, RIWO-ART, 7 mm Ø, 150 mm WL	8922.016	Lap 3.7
Trocar sleeve, metal, RIWO-ART, port, 10 mm Ø, 100 mm WL	8923.014	Lap 3.9
Trocar sleeve, plastic, 2 mm Ø, 60 mm WL	8309.072	Lap 3.1
Trocar sleeve, plastic, 5.5 mm Ø, 55 mm WL	8920.001	Lap 3.4

Description	Product #	Page #
Trocar sleeve, plastic, 5.5 mm Ø, 95 mm WL	8920.003	Lap 3.4
Trocar sleeve, plastic, RIWO-ART, 3.5 mm Ø, 100 mm WL	8903.034	Lap 3.2
Trocar sleeve, plastic, RIWO-ART, 3.5 mm Ø, 60 mm WL	8903.072	Lap 3.2
Trocar sleeve, plastic, RIWO-ART, 5.5 mm Ø, 100 mm WL, port	8921.034	Lap 3.3
Trocar sleeve, plastic, RIWO-ART, 5.5 mm Ø, 60 mm WL, w/o port	8921.072	Lap 3.3
Trocar sleeve, port, RIWO-ART, threaded, 10 mm Ø, 100 mm WL	8923.024	Lap 3.9
Trocar sleeve, Reich, 5 mm Ø, 55 mm WL	8351.02	Lap 3.5
Trocar sleeve, RIWO-ART, port, 12.5 mm Ø, 100 mm WL	8924.014	Lap 2.9
		Lap 3.13
Trocar sleeve, RIWO-ART, 10 mm Ø, 100 mm WL	8923.013	Lap 3.11
		Lap 3.17
Trocar sleeve, RIWO-ART, 10 mm Ø, 100 mm WL	8923.014	Lap 3.11
		Lap 14.2
Trocar sleeve, RIWO-ART, 10 mm Ø, 150 mm WL	8923.016	Lap 3.11
Trocar sleeve, RIWO-ART, 12.5 mm Ø, 100 mm WL	8924.013	Lap 3.17
		Lap 2.9
		Lap 3.13
Trocar sleeve, RIWO-ART, port, 12.5 mm Ø, 150 mm WL	8924.016	Lap 3.13

Description	Product #	Page #
Trocar sleeve, RIWO-ART, port, 12.5 mm Ø, 60 mm WL	8924.022	Lap 3.13
Trocar sleeve, trumpet valve, 12 mm Ø, 100 mm WL	8941.01	Lap 3.14
Trocar sleeve, trumpet valve, 5 mm Ø, 105 mm WL	8940.01	Lap 3.6
Trocar sleeve, trumpet valve, 8 mm Ø, 105 mm WL	8932.01	Lap 3.8
Trocar sleeve, trumpet valve, 10 mm Ø, 145 mm WL	8934.071	Lap 3.12
		Lap 3.10
Trocar sleeve, metal, trumpet valve, 10 mm Ø, 100 mm WL	8934.01	Lap 3.10
		Lap 3.12
Trocar sleeve, metal, trumpet valve, oblique tip, 10 mm Ø, 100 mm WL	8934.03	Lap 3.10
		Lap 3.12
		Lap 3.18
Trocar sleeve, metal, port, RIWO-ART, 7 mm Ø, 100 mm WL	8922.013	Lap 3.7
Trocar sleeve, metal, RIWO-ART, 5.5 mm Ø, 100 mm WL	8921.024	Lap 3.3
		Lap 16.3
Trocar, blunt, conical, 10 mm Ø, 100 mm WL	8923.103	Lap 16.2
		Lap 16.3
		Lap 3.9
		Lap 3.14
Trocar, blunt, conical tip, 12.5 mm Ø, 60 mm WL	8924.101	Lap 3.13

Description	Product #	Page #
Trocar, blunt, conical, 12.5 mm Ø, 100 mm WL	8924.103	Lap 16.2
		Lap 3.13
		Lap 3.14
Trocar, blunt, conical tip, 3.5 mm Ø, 60 mm WL	8903.101	Lap 3.2
Trocar, blunt, conical tip, 3.5 mm Ø, 100 mm WL	8903.103	Lap 3.2
		Lap 3.2
Trocar, blunt, conical tip, 5.5 mm Ø, 60 mm WL	8921.101	Lap 3.3
Trocar, blunt, conical tip, 5.5 mm Ø, 100 mm WL	8921.103	Lap 3.3
Trocar, blunt, conical tip, 7 mm Ø, 100 mm WL	8922.103	Lap 3.7
Trocar, cannula tip	8518.12	Res 17.1
Trocar, conical tip, 5.5 mm Ø, 55 mm WL	8920.011	Lap 3.4
Trocar, conical tip, 5.5 mm Ø, 100 mm WL	8921.113	Lap 3.3
Trocar, conical tip, 5.5 mm Ø, 60 mm WL	8921.111	Lap 3.3
Trocar, conical tip, 5.5 mm Ø, 95 mm WL	8920.013	Lap 3.4
Trocar, conical tip, 7 mm Ø, 100 mm WL	8922.113	Lap 3.7
Trocar, conical tip, 7 mm Ø, 150 mm WL	8922.115	Lap 3.7
Trocar, conical tip, 10 mm Ø, 100 mm WL	8923.113	Lap 14.2
		Lap 16.2
		Lap 3.10
		Lap 16.3
		Lap 3.9
		Lap 3.14

Description	Product #	Page #
Trocar, conical tip, 10 mm Ø, 150 mm WL	8923.115	Lap 3.9
		Lap 3.10
Trocar, conical tip, 12.5 mm Ø, 150 mm WL	8924.115	Lap 3.13
Trocar, conical tip, 12.5 mm Ø, 100 mm WL	8924.113	Lap 3.14
		Lap 2.9
		Lap 16.2
		Lap 16.3
		Lap 3.13
Trocar, conical tip, 12.5 mm Ø, 60 mm WL	8924.111	Lap 3.13
Trocar, pyramid tip	8518.11	Res 17.1
Trocar, pyramidal tip, 2 mm Ø, 100 mm WL	8309.123	Lap 3.1
Trocar, pyramidal tip, 2 mm Ø, 60 mm WL	8309.121	Lap 3.1
Trocar, pyramidal tip, 2.5 mm Ø	8367.12	Lap 15.1
Trocar, pyramidal tip, 3.5 mm Ø, 60 mm WL	8903.121	Lap 3.2
Trocar, pyramidal tip, 3.5 mm Ø, 100 mm WL	8903.123	Lap 3.2
		Lap 3.2
Trocar, pyramidal tip, 5 mm Ø, 105 mm WL	8940.12	Lap 3.6
Trocar, pyramidal tip, 5 mm Ø, 55 mm WL	8351.122	Lap 3.5
Trocar, pyramidal tip, 5.5 mm Ø, 60 mm WL	8921.121	Lap 3.3
Trocar, pyramidal tip, 5.5 mm Ø, 55 mm WL	8920.021	Lap 3.4
Trocar, pyramidal tip, 5.5 mm Ø, 95 mm WL	8920.023	Lap 3.4
Trocar, pyramidal tip, 5.5 mm Ø, 100 mm WL	8351.14	Lap 3.5
Trocar, pyramidal tip, 5.5 mm Ø, 100 mm WL	8921.123	Lap 3.3

Description	Product #	Page #
Trocar, pyramidal tip, 7 mm Ø, 100 mm WL	8922.123	Lap 3.7
Trocar, pyramidal tip, 7 mm Ø, 150 mm WL	8922.125	Lap 3.7
Trocar, pyramidal tip, 8 mm Ø, 105 mm WL	8932.12	Lap 3.8
Trocar, pyramidal tip, 10 mm Ø, 100 mm WL	8923.123	Lap 3.14
		Lap 14.2
		Lap 16.2
		Lap 16.3
		Lap 3.10
		Lap 3.9
Trocar, pyramidal tip, 10 mm Ø, 145 mm WL	8923.125	Lap 3.10
		Lap 3.9
Trocar, pyramidal tip, with protective sleeve, 10 mm Ø, 100 mm WL	8934.125	Lap 3.9
Trocar, pyramidal tip, 12.5 mm Ø, 150 mm WL	8924.125	Lap 3.13
Trocar, pyramidal tip, 12.5 mm Ø, 60 mm WL	8924.121	Lap 3.13
Trocar, pyramidal tip, 12 mm Ø, 100 mm WL	8941.12	Lap 3.14
Trocar, pyramidal tip, 12.5 mm Ø, 100 mm WL	8924.123	Lap 2.9
		Lap 3.13
		Lap 16.2
		Lap 16.3
		Lap 3.14
Trocar, Trotec, complete, 5.5 mm Ø, 100 mm WL	8921.131	Lap 3.15
Trocar, Trotec, complete, 5.5 mm Ø, 100 mm WL	8921.133	Lap 3.15
Trocar, Trotec, complete, 10 mm Ø, 100 mm WL	8923.131	Lap 3.15
Trocar, Trotec, complete, 10 mm Ø, 100 mm WL	8923.133	Lap 3.15
Trocar, Trotec, complete, 12.5 mm Ø, 100 mm WL	8924.131	Lap 3.15

Description	Product #	Page #
Trocar, Trotec, complete, 12.5 mm Ø, 100 mm WL	8924.133	Lap 3.15
Trocar, Trotec, conical, 5.5 mm Ø, 100 mm WL	8921.132	Lap 3.15
Trocar, Trotec, conical, 10 mm Ø, 100 mm WL	8923.132	Lap 3.15
Trocar, Trotec, conical, 12.5 mm Ø, 100 mm WL	8924.132	Lap 3.15
Trocar, Trotec handle, w/spring	8923.135	Lap 3.15
Trocar, Trotec, pyramidal, 5.5 mm Ø, 100 mm WL	8921.134	Lap 3.15
Trocar, Trotec, pyramidal, 10 mm Ø, 100 mm WL	8923.134	Lap 3.15
Trocar, Trotec, pyramidal, 12.5 mm Ø, 100 mm WL	8924.134	Lap 3.15
Tube set, for suction port on 2215, w/ filter, 10/pkg	4170.902	Lap 16.8
		Lap 8.3
Tube set, high flow, reusable, w/ heating element, 5/pkg	8170.201	Lap 16.3
Tube set, high-flow, reusable, for RIWO-ART Trocars	8170.232	Lap 16.2
		Lap 16.3
Tube set, reusable, for suction port on 2215, w/ filter, 10/pkg	8170.401	Lap 8.3
Tube set, single-use, high-flow, 0.2 micron filter, 10/pkg	4170.512	Lap 16.2
(cont.)	4170.512	Lap 16.3
Tube set, single-use, suction & irrigation, 10/pkg	4170.956	Lap 8.2
Tube set, single-use, suction & irrigation, for 2215, 10/pkg	4170.225	Lap 8.3
		Lap 16.8

Description	Product #	Page #
Tube, bipolar, coagulation suction, 5 mm Ø, 320 mm WL	8383.29	Lap 6.12
Tube, bipolar, coagulation suction, 5 mm Ø, 450 mm WL	8384.29	Lap 6.12
Tube, coagulation, suction, stopcock valve, 5 mm Ø, 320 mm WL	8383.73	Lap 8.9
Tube, coagulation, suction, stopcock valve, 5 mm Ø, 450 mm WL	8384.73	Lap 8.9
Tube, coagulation, suction, trumpet valve, 5 mm Ø, 320 mm WL	8383.71	Lap 8.9
Tube, coagulation, suction, trumpet valve, 5 mm Ø, 450 mm WL	8384.71	Lap 8.9
Tube, irrigation, for aquadissection, 5mm Ø, 310 mm WL	8383.913	Lap 8.1
		Lap 8.4
Tube, mini suction/irrigation tube	8150.11	Acc 3.1
Tube, morcellator, 10 mm Ø	8386.311	Lap 14.1
Tube, morcellator, 15 mm Ø	8386.315	Lap 14.1
Tube, outer, 3.5 mm Ø, 340 mm WL	8391.921	Lap 6.2
		Lap 6.1
Tube, outer, 3.5 mm Ø, 440 mm WL	8389.921	Lap 6.2
		Lap 6.1
Tube, outer, 5 mm Ø, 320 mm WL	8393.924	Lap 6.3
(cont.)	8393.924	Lap 6.4
Tube, outer, 5 mm Ø, 320 mm WL	8393.925	Lap 6.5
		Lap 6.6
Tube, outer, 5 mm Ø, 450 mm WL	8394.924	Lap 6.3
		Lap 6.4

Description	Product #	Page #
Tube, outer, 5 mm Ø, 450 mm WL	8394.925	Lap 6.5
		Lap 6.6
Tube, spare, 310 mm WL	8033.90	Lap 16.9
Tube, suction / instillation, 5 mm Ø, 320 mm WL	8383.77	Lap 8.7
Tube, suction / instillation, 5 mm Ø, 450 mm WL	8384.77	Lap 8.7
Tube, suction / irrigation, 5 mm Ø, 320 mm WL	8383.732	Lap 8.8
Tube, suction / irrigation, 5 mm Ø, 320 mm WL	8383.68	Lap 8.7
Tube, suction / irrigation, 5 mm Ø, 410 mm WL	8384.732	Lap 8.8
Tube, suction / irrigation, 5 mm Ø, 450 mm WL	8384.68	Lap 8.7
Tube, suction / irrigation, 5 mm Ø, 320 mm WL	8383.51	Lap 8.7
Tube, suction / irrigation, coagulating, 3 mm Ø, 450 mm WL	8380.71	Lap 8.6
Tube, suction / irrigation, combo, 5 mm Ø, 320 mm WL	8383.755	Lap 8.8
Tube, suction / irrigation, combo, 5 mm Ø, 320 mm WL	8383.94	Lap 8.8
Tube, suction / irrigation, graduated, 3 mm Ø, 320 mm WL	8379.68	Lap 8.6
Tube, suction / irrigation, graduated, 3 mm Ø, 450 mm WL	8380.68	Lap 8.6
Tube, suction / irrigation, luer connector, 5 mm Ø, 320 mm WL	8383.72	Lap 8.7
Tube, suction, cold light illumination	8536.01	Acc 3.1
Tube, suction, irrigation, 10 mm Ø, 225 mm WL	8385.942	Lap 8.1
		Lap 8.4

Description	Product #	Page #
Tube, suction, irrigation, 10 mm Ø, 310 mm WL	8385.951	Lap 8.1
		Lap 8.4
Tube, suction, irrigation, 3.5 mm Ø, 310 mm WL	8391.911	Lap 8.1
		Lap 8.4
Tube, suction, irrigation, 5 mm Ø, 310 mm WL	8383.911	Lap 8.1
		Lap 8.4
Tube, suction, irrigation, 5 mm Ø, 450 mm WL	8384.911	Lap 8.1
		Lap 8.4
Tube, suction, irrigation, angled, 5 mm Ø, 310 mm WL	8383.912	Lap 8.1
		Lap 8.4
Tubing connector	889.01	Res 16.1
Tubing, kink-free, 300 mm WL	889.02	Res 16.1
Tubing set, complete	8170.121	Litho 6.1
		Res 18.1
Tubing set, replacement for roller pump, 5/pkg	64226.014	Litho 6.1
		Res 18.1
Two-way tap, 3 mm, male	883.12	Acc 6.1
Two-way tap, 4 mm, male	883.01	Acc 6.1
		Res 16.1
Two-way tap, 3 mm, male	883.00	Acc 6.1
		Res 16.1
Ultrasound generator	2271.004	Litho 5.1
Ultrasound generator, w/ Canbus interface for "RIWO-NET"	2271.104	Litho 5.1
Ultrasound transducer	2271.501	Litho 5.1
Ultrasound, sonotrode, nephroscopy, oscillating burr, straight, 3.5 mm Ø, 366 mm WL	8963.635	Litho 5.3

Description	Product #	Page #
Ultrasound, sonotrode, nephroscopy, oscillating burr, straight, 4.0 mm Ø, 365 mm WL	8962.641	Litho 5.3
Ultrasound, sonotrode, nephroscopy, straight, 1.9 mm Ø, 343 mm WL	8962.519	Litho 5.3
Ultrasound, sonotrode, nephroscopy, straight, 2.4 mm Ø, 359 mm WL	8962.524	Litho 5.3
Ultrasound, sonotrode, nephroscopy, straight, 3.5 mm Ø, 362 mm WL	8963.535	Litho 5.3
Ultrasound, sonotrode, uretero-renaloscopy, straight, 1.5 mm Ø, 564 mm WL	8954.515	Litho 5.3
Ultrasound, sonotrode, uretero-renaloscopy, straight, 1.5 mm Ø, 444 mm WL	8959.515	Litho 5.3
Ultrasound, sonotrode, uretero-renaloscopy, straight, 1.9 mm Ø, 562 mm WL	8954.519	Litho 5.3
Ultrasound, sonotrode, uretero-renaloscopy, straight, 1.9 mm Ø, 444 mm WL	8959.519	Litho 5.3
Union nut	15009.159	Lap 3.24
Ureteroscope, 6/7.5 Fr, 330 mm WL	8702.517	URS 3.1
Uretero-renaloscopy, 6/7.5 Fr, 430 mm WL	8702.518	URS 3.1
Ureteroscope, 8/9.8 Fr, 330 mm WL	8703.517	URS 3.1
Uretero-renaloscopy, 8/9.8 Fr, 430 mm WL	8703.518	URS 3.1
Ureteroscope, Bichler, 6/7.5 Fr, 315 mm WL	8702.533	URS 6.1

Description	Product #	Page #
Uretero-renaloscopy, Bichler, 6/7.5 Fr, 430 mm WL	8702.534	URS 6.1
Ureteroscope, Bichler, 8/9.8 Fr, 315 mm WL	8703.533	URS 6.1
Uretero-renaloscopy, Bichler, 8/9.8 Fr, 430 mm WL	8703.534	URS 6.1
Ureteroscope, Bichler, dual channel, 8/9.8 Fr, 310 mm WL	8709.401	URS 9.1
Uretero-renaloscopy, Bichler, dual channel, 8/9.8 Fr, 425 mm WL	8709.421	URS 9.1
Ureteroscope, Dual Channel, 6.5/8.5 Fr., 330 mm WL	8708.517	URS 3.2
Ureteroscope, Dual Channel, 6.5/8.5 Fr., 430 mm WL	8708.518	URS 3.2
Ureteroscope, Dual Channel, 45° offset, 6.5/8.5 Fr., 330 mm WL	8708.533	URS 3.2
Ureteroscope, Dual Channel, 45° offset, 6.5/8.5 Fr., 430 mm WL	8708.534	URS 3.2
Ureteroscope, Gautier, 7.5/9.5 Fr, 415 mm WL	8706.402	URS 4.1
Uretero-renaloscopy, Marberger, 8/9.8 Fr, 430 mm WL	8703.524	URS 7.1
Ureteroscope, Marberger, 6/7.5 Fr, 315 mm WL	8702.523	URS 7.1
Uretero-renaloscopy, Marberger, 6/7.5 Fr, 430 mm WL	8702.524	URS 7.1
Ureteroscope, Marberger, 8/9.8 Fr, 315 mm WL	8703.523	URS 7.1
Ureteroscope, Marberger, 7/8.5 Fr, 310 mm WL	8718.401	URS 8.1

Description	Product #	Page #
Uretero-roscope, Marberger, 7/8.5 Fr, 425 mm WL	8708.401	URS 8.1
Ureteroscope, Marberger, 8.5/11.5 Fr, 310 mm WL	8704.401	URS 5.1
Uretero-roscope, Marberger, 8.5/11.5 Fr, 425 mm WL	8714.401	URS 5.1
Ureteroscope, Pan-Endo, 2.2/2.7 mm, 0°	8720.401	URS 10.2
		URS 10.1
Ureteroscope, 4.5/6 Fr, 1x2.4 Fr, 425 mm WL	4721.401	Ped 8.1
Ureteroscope, 4.5/6 Fr, 1x2.4 Fr, 310 mm WL	4721.402	Ped 8.1
Urethrotome, OTIS	8517.00	Tome 4.1
Urethrotome, Bougie, 18 Fr	8586.18	Tome 5.1
Urethrotome, Bougie, 21 Fr	8586.21	Tome 5.1
Urethrotome, Bougie, 24 Fr	8586.24	Tome 5.1
Urethrotome, Bougie, 27 Fr	8586.27	Tome 5.1
Urethrotome, Bougie, 30 Fr	8586.30	Tome 5.1
Urethrotome, Bougie, 36 Fr	8586.36	Tome 5.1
Vaginal delineator, Reich, 45 mm Ø, 240 mm WL	8983.011	Lap 15.5
Valve, gas sterilization	163.604	Las 9.1
		URS 12.1
		URS 12.2
Valve, gas sterilization	163.904	Cys 6.1
		PCN 6.1
		Ped 5.1
Verres Cannula Kit, 2.3 mm Ø, 140 mm WL	8754.202	Lap 2.1
Verres Cannula Kit, 2.3 mm Ø, 250mm WL	8754.201	Lap 2.1
Verres needle, 2.3 mm Ø, 140 mm WL	8754.212	Lap 2.1

Description	Product #	Page #
Verres needle, 2.3 mm Ø, 250 mm WL	8754.211	Lap 2.1
Verres outer sheath, 2.3 mm Ø, 140 mm WL	8754.222	Lap 2.1
Verres outer sheath, 2.3 mm Ø, 250 mm WL	8754.221	Lap 2.1
Washer	819.902	Lap 3.24
Working element, Mc Carthy, manual cutting action, 4 mm Ø, 12°-25°	8654.214	Res 5.4
		Res 3.2
		Res 3.4
Working element, active cutting action, 4 mm Ø, 12°-25°	8654.204	Res 3.4
		Res 3.2
		Res 5.4
Working element, active cutting action, 4 mm Ø, 0°-5°	8658.204	Res 6.2
Working element, active cutting action, 4 mm Ø, 12°-25°	8657.204	Res 5.2
Working element, active cutting action, 4 mm Ø, 12°-25°	8654.254	Res 3.2
		Res 3.4
		Res 5.4
Working element, active cutting action, 3.3 mm Ø, 0°	8666.204	Res 8.2
Working element, active cutting action, 3.3 mm Ø, 25°	8656.204	Res 7.2
Working element, active cutting action, 4 mm Ø, 0°-5°	8661.204	Res 6.4
		Res 4.4
		Res 4.2
Working element, active cutting action, long 4 mm Ø, 25°	8668.204	Res 9.2
Working element, aspiration/ injection	8652.771	Cys 8.1

Description	Product #	Page #
Working element, dual purpose	8654.281	Cys 8.2
		Las 5.1
		Litho 4.4
Working element, for lithotripsy of bladder stones	8654.285	Litho 4.4
Working element, for stricture scapels	8670.911	Tome 2.1
Working element, Iglesias, closed handle, passive cutting action, 4 mm Ø, 12°-25°	8654.225	Res 3.4
		Res 3.2
		Res 5.4
Working element, Iglesias, open handle, passive cutting action, 4 mm Ø, 12°-25°	8654.224	Res 3.4
		Res 5.4
		Res 3.2
		PCN 7.1
Working element, passive cutting action	8688.222	Ped 7.2
Working element, passive cutting action, 4 mm Ø, 0°-5°	8658.225	Res 6.2
Working element, passive cutting action, 3.3 mm Ø, 0°	8666.225	Res 8.2
Working element, passive cutting action, 3.3 mm Ø, 25°	8656.225	Res 7.2

Description	Product #	Page #
Working element, passive cutting action, 4 mm Ø, 0°-5°	8661.225	Res 6.4
(cont.)	8661.225	Res 4.2
		Res 4.4
Working element, passive cutting action, for 4 mm Ø, 12°-25°	8657.225	Res 5.2
Working element, passive cutting action, for long 4 mm Ø, 25°	8668.225	Res 9.2
Working element, Pediatric resectoscope	8677.222	URS 10.2
		Ped 7.1
Working element, punch lithotripsy, 0°-25°	8654.90	Res 14.1
Working element, rotatable, active cutting action, 4 mm Ø, 12°-25°	8654.234	Res 3.2
		Res 3.4
		Res 5.4
Working element, ureterotome	8965.91	URS 10.1
Working element, urethrotome	8667.911	PCN 8.1
		Tome 3.1
Working element, urethrotome	8693.91	Ped 6.1
Yoke, CO2	2026.64	Lap 16.2
		Lap 16.3

Product #	Description	Page #
102.01	Anti-fogging solution, sterile	Lap 16.9
103.701	Cable, CAN-bus connection	Res 18.1
		Litho 5.1
		Litho 6.1
15006.087	Spring	Lap 3.22
15006.161	Spring	Lap 3.22
15006.293	Spring	Lap 3.23
15006.307	Spring, replacement, for needle holders	Lap 11.1
15006.324	Spring, for protective trocar sleeve	Lap 3.9
15009.159	Union nut	Lap 3.23
15016.333	Obturator, standard, oblique tip, 16 Fr	Res 8.1
		Res 13.2
15114.043	Sleeve Cap, 7 mm	Lap 3.23
15114.044	Sleeve Cap, 12.5 mm	Lap 3.23
15114.045	Sleeve Cap, 10 mm	Lap 3.23
15135.080	Cover, base	Lap 3.22
15135.153	Cover, base	Lap 3.22
15135.252	Base cover	Lap 3.23
15135.270	Cap housing, replacement, 5.5 mm Ø	Lap 3.4
		Lap 3.22
15157.189	Sleeve Cap, 5.5 mm	Lap 3.23
15157.190	Sleeve Cap, 3.5 mm	Lap 3.23
15209.042 S01	Irrigation ring, shut-off valve, 3 mm	Res 16.1
15583.556	Carrying case	URS 12.1
		URS 12.2
163.903	Leakage tester	Lap 2.9
		Cys 6.1
		Las 9.1
		PCN 6.1
		Ped 5.1
		URS 12.1
		URS 12.2
163.604	Valve, gas sterilization	Las 9.1
		URS 12.1
		URS 12.2
		Cys 6.1
		PCN 6.1
		Ped 5.1
18.01RE	Sealing cap, long, red, 1-2 mm, 12/pkg	Lap 3.21
2026.62	Hose, high pressure, CO2	Lap 16.2
		Lap 16.3
2026.631	Hose, CO2, high pressure yoke and manometer	Lap 16.2
		Lap 16.3
2026.64	Yoke, CO2	Lap 16.2
		Lap 16.3

Product #	Description	Page #
2030.103	Foot switch	Lap 16.5
2148.95	Hygiene filters, sterile, 10/pkg	Litho 6.1
		Res 18.1
2167.508	Cleaning rods, for transducer & perc probes	Litho 5.3
2167.509	Cleaning rods, for ureteral probes	Litho 5.3
2207.011	Pump, roller suction, 100-230V, 50/60 Hz	Res 18.1
		Litho 6.1
2207.012	Roller suction pump, with CAN-bus option, for "RIWO-NET"	Litho 6.1
		Res 18.1
2207.961	Flow sensor cable	Litho 6.1
		Res 18.1
2207.966	Flow sensor	Litho 6.1
		Res 18.1
2207.976	Bottle top, twist lock, with connections	Res 18.1
		Litho 6.1
2207.991	Cable, synchronization to 2271 US Generator	Litho 6.1
		Res 18.1
2215.002	Laparopump, 110-120V, 60 Hz	Lap 8.3
		Lap 16.7
2215.972	Canisters, suction, 3 L, w/ lids & tubes, 36/pkg	Lap 16.8
2215.973	Rings, wire, for holding suction canisters, 12/pkg	Lap 16.8
2215.974	Pole, for I.V., w/ sturdy 5 arm base	Lap 16.8
2215.991	Stand, irrigation	Lap 16.7
2215.992	Bracket, mounting, for suction canisters	Lap 16.8
2231.621	Insufflator, CO2, high flow, w/ gas warming, 30L / min.	Lap 16.3
2231.631	Insufflator, CO2, high flow, w/ gas warming & video display, 30L / min.	Lap 16.3
2232.601	Insufflator, 30L/min	Lap 16.2
2232.611	Insufflator, 30L/min, video display	Lap 16.2
2232.841	Collecting bottle holder	Litho 6.1
		Res 18.1
2271.004	Ultrasound generator	Litho 5.1

Product #	Description	Page #
2271.104	Ultrasound generator, w/ Canbus interface for "RIWO-NET"	Litho 5.1
2271.501	Ultrasound transducer	Litho 5.1
2280.004	EHL shockwave generator	Litho 4.1
2280.0915	EHL probe, 9 Fr, 700 mm WL, sterile, 5/box	Litho 4.3
2280.1515	EHL probe, 5 Fr, 700 mm WL, sterile, 5/box	Litho 4.3
2280.325	EHL probe, 2.4 Fr, 700 mm WL, sterile, 5/box	Litho 4.3
2280.335	EHL probe, 3.3 Fr, 700 mm WL, sterile, 5/box	Litho 4.3
2280.425	EHL probe, 2.4 Fr, 1050 mm WL, sterile, 5/box	Litho 4.3
2280.435	EHL probe, 3.3 Fr, 1050 mm WL, sterile, 5/box	Litho 4.3
2280.991	Connecting cable, EHL	Litho 4.1
2306.001	Morcellator, morce power, 10 mm Ø, 280 mm WL	Lap 14.1
2306.101	Drive unit	Lap 14.1
2320.002	Endoscope warmer	Lap 16.9
2352.011	Generator, bipolar, with foot switch	Lap 16.5
309.005	Needle, TRU-CUT® biopsy	Acc 5.1
31110.901	Rail, mounting, for use on vertical surfaces	Lap 16.8
31110.902	Clamps, for holding I.V. pole	Lap 16.8
31110.905	Pole, for I.V., used w/clamps & mounting rails	Lap 16.8
4106.0330	Cable, HF monopolar, Wolf to Bovie, disposable, 10/box, 3 M	Lap 4.1a
		Lap 4.1b
		Lap 4.2
		Lap 4.3
		Lap 4.4
		Lap 4.5
		Lap 4.6
		Lap 4.7
		Lap 4.9
		Lap 4.10
		Lap 4.11
		Lap 4.12

Product #	Description	Page #
		Lap 4.16
		Lap 4.17
		Lap 4.24
		Lap 4.25
		Lap 4.26
		Lap 4.27
		Lap 4.28
		Lap 5.1
		Lap 5.2
		Lap 5.3
		Lap 5.4
		Lap 7.2
		Lap 7.3
		Lap 8.6
		Lap 8.9
		Lap 16.13
		Lap 16.14
		Res 12.1
4106.1320	Cable, HF monopolar, Wolf to Wolf, disposable, 10/box, 3 M	Lap 4.1a
		Lap 4.1b
		Lap 4.2
		Lap 4.3
		Lap 4.4
		Lap 4.5
		Lap 4.6
		Lap 4.7
		Lap 4.9
		Lap 4.10
		Lap 4.11
		Lap 4.12
		Lap 4.16
		Lap 4.17
		Lap 4.24
		Lap 4.25
		Lap 4.26
		Lap 4.27
		Lap 4.28
		Lap 5.1
		Lap 5.2
		Lap 5.3
		Lap 5.4
		Lap 7.2
		Lap 7.3
		Lap 8.6
		Lap 8.9
		Lap16.13
		Lap 16.14
		Res 12.1
415.0030	Cable, HF monopolar, disposable, Wolf to Bovie, 10/box	Lap 7.1
		Ped 7.1
		Ped 7.2
		URS 10.1
		Lap 8.9

Product #	Description	Page #
415.0030	(cont.)	Lap 16.13
		Lap 16.14
		Res 3.1
		Res 3.3
		Res 4.1
		URS 10.2
		Res 4.3
		Res 5.1
		Res 5.3
		Res 6.1
		Res 7.1
		Res 8.1
		Res 12.1
4170.225	Tube set, single-use, suction & irrigation, for 2215, 10/pkg	Lap 8.3
		Lap 16.8
4170.512	Tube set, single-use, high-flow, 0.2 micron filter, 10/pkg	Lap 16.2
		Lap 16.3
4170.902	Tube set, for suction port on 2215, w/ filter, disposable, 10/pkg	Lap 8.3
		Lap 16.8
4170.956	Tube set, single-use, suction & irrigation, 10/pkg	Lap 8.2
4171.111	Filter, high flow, single-use, 0.2 micron filter, 10/pkg	Lap 16.2
		Lap 16.3
4171.121	Filter, hydrophobic, for suction line, 1/pkg	Lap 8.3
4172.501	Collecting bottle	Litho 6.1
		Res 18.1
4615.401	Cysto-urethroscope, integral, 1x2.4 Fr, 4.5/6 Fr, 110 mm WL	Ped 4.1
4721.401	Ureteroscope, 4.5/6 Fr, 1x2.4 Fr, 425 mm WL	Ped 8.1
4721.402	Ureteroscope, 4.5/6 Fr, 1x2.4 Fr, 310 mm WL	Ped 8.1
4986.09	Hulka clips, 10 pairs, sterile	Lap 15.3
5352.56	Cable, BNC	Lap 16.2
		Lap 16.3
5363.17	Cable, S-video	Lap 16.2
		Lap 16.3
573.101	Tray, gas/storage, for flexibles	URS 12.1
		URS 12.2

Product #	Description	Page #
64226.014	Tubing set, replacement for roller pump, 5/pkg	Litho 6.1
		Res 18.1
7223.60	Forceps, Flexible, biopsy, 3 Fr, 600 mm WL	Ped 5.1
		Lap 2.9
7223.65	Forceps, grasping, flexible, 3 Fr, 600 mm WL	Lap 2.9
		Ped 5.1
		URS 12.1
7264.691	Cleaning brush	Lap 2.9
		Cys 6.1
		Las 9.1
		PCN 6.1
7305.001	Endoscope, flexible, logical deflection, 15 Fr Ø, 400 mm WL	Lap 2.9
		Cys 6.1
		Las 9.1
		PCN 6.1
7305.006	Endoscope, flexible, ergonomic deflection, 15 Fr Ø, 400 mm WL	Cys 6.1
		Las 9.1
		PCN 6.1
		Lap 2.9
7305.781	Adapter, dual luer connectors	Cys 6.1
		Las 9.1
		PCN 6.1
		Ped 5.1
		URS 12.1
		URS 12.2
7305.782	Adapter, instrument / irrigation ports	Lap 2.9
		Cys 6.1
		Las 9.1
		PCN 6.1
		Ped 5.1
7317.60	Forceps, biopsy, flexible, 3 Fr, 850 mm WL	Lap 2.9
7321.911	Cleaning brush	Lap 2.9
		Ped 5.1
		URS 12.1
		URS 12.2
7325.122	Endoscope, flexible, 2.5 mm Ø, 200 mm WL	Ped 5.1
		URS 12.1
		Lap 2.9
7325.152	Endoscope, flexible, 2.5 mm Ø, 450 mm WL	Lap 2.9
		URS 12.1

Product #	Description	Page #
7325.172	Endoscope, flexible uretero-renoscope, 7.5 Fr, 700 mm WL	URS 12.1
		Lap 2.9
7330.052	Endoscope, flexible uretero-renoscope, 9 Fr, 450 mm WL	URS 12.2
		Lap 2.9
7330.072	Endoscope, flexible uretero-renoscope, 9 Fr, 700 mm WL	URS 12.2
		Lap 2.9
74003.009	1/4" wrench	Litho 5.1
7500.0053	Moisture window, replacement, 3/pkg	Lap 13.1
75093.052	Spacers, for use w/ mounting rails	Lap 16.8
751.00	Laser coupler, CO2, with moisture window	Lap 13.1
751.41	Lens C, f = 415 mm	Lap 13.1
8033.90	Tube, spare, 310 mm WL	Lap 16.9
8061.16	Light cable, 1.6 mm Ø, 1.8 M WL	Lap 2.9
		Ped 4.4
8061.256	Light cable, 2.5 mm Ø, 3M WL	Cys 6.1
		Las 9.1
		PCN 6.1
		Ped 3.1
		Ped 3.4
		Ped 4.1
		Ped 4.2
		Ped 4.3
		Ped 5.1
		Ped 8.1
		URS 12.1
		URS 12.2
		Lap 2.9
8061.356	Light cable, 3.5 mm Ø, 3M WL	Lap 2.3
		Lap 2.2
		Lap 2.6
		Lap 2.7
		Lap 2.8
8061.456	Light cable, 4.5 mm Ø, 3M WL	Lap 2.4
		Lap 2.5
8106.033	Cable, HF monopolar, Wolf to Bovie, 3 M	Lap 4.1a
		Lap 4.1b
		Lap 4.2
		Lap 4.3
		Lap 4.4
		Lap 4.5
		Lap 4.6
		Lap 4.7
		Lap 4.9

Product #	Description	Page #
		Lap 4.10
		Lap 4.11
		Lap 4.12
		Lap 4.16
		Lap 4.17
		Lap 4.24
		Lap 4.25
		Lap 4.26
		Lap 4.27
		Lap 4.28
		Lap 5.1
		Lap 5.2
		Lap 5.3
		Lap 5.4
		Lap 7.2
		Lap 7.3
		Lap 8.6
		Lap 8.9
		Lap 16.13
		Lap 16.14
		Res 12.1
8106.053	Cable, HF, monopolar, Wolf to Bovie, 5M	Lap 16.14
		Res 12.1
8106.132	Cable, HF monopolar, Wolf to Wolf, 3 M	Lap 4.1a
		Lap 4.1b
		Lap 4.2
		Lap 4.3
		Lap 4.4
		Lap 4.5
		Lap 4.6
		Lap 4.7
		Lap 4.9
		Lap 4.10
		Lap 4.11
		Lap 4.12
		Lap 4.16
		Lap 4.17
		Lap 4.24
		Lap 4.25
		Lap 4.26
		Lap 4.27
		Lap 4.28
		Lap 5.1
		Lap 5.2
		Lap 5.3
		Lap 5.4
		Lap 7.2
		Lap 7.3
		Lap 8.6
		Lap 8.9
		Lap 16.13
		Lap 16.14
		Res 12.1
8106.152	Cable, HF, monopolar, Wolf to Erbe, 5M	Lap 16.14

Product #	Description	Page #
102.01	Anti-fogging solution, sterile	Lap 16.9
103.701	Cable, CAN-bus connection	Res 18.1
		Litho 5.1
		Litho 6.1
15006.087	Spring	Lap 3.22
15006.161	Spring	Lap 3.22
15006.293	Spring	Lap 3.23
15006.307	Spring, replacement, for needle holders	Lap 11.1
15006.324	Spring, for protective trocar sleeve	Lap 3.9
15009.159	Union nut	Lap 3.23
15016.333	Obturator, standard, oblique tip, 16 Fr	Res 8.1
		Res 13.2
15114.043	Sleeve Cap, 7 mm	Lap 3.23
15114.044	Sleeve Cap, 12.5 mm	Lap 3.23
15114.045	Sleeve Cap, 10 mm	Lap 3.23
15135.080	Cover, base	Lap 3.22
15135.153	Cover, base	Lap 3.22
15135.252	Base cover	Lap 3.23
15135.270	Cap housing, replacement, 5.5 mm Ø	Lap 3.4
		Lap 3.22
15157.189	Sleeve Cap, 5.5 mm	Lap 3.23
15157.190	Sleeve Cap, 3.5 mm	Lap 3.23
15209.042 S01	Irrigation ring, shut-off valve, 3 mm	Res 16.1
15583.556	Carrying case	URS 12.1
		URS 12.2
163.903	Leakage tester	Lap 2.9
		Cys 6.1
		Las 9.1
		PCN 6.1
		Ped 5.1
		URS 12.1
		URS 12.2
163.604	Valve, gas sterilization	Las 9.1
		URS 12.1
		URS 12.2
		Cys 6.1
		PCN 6.1
		Ped 5.1
18.01RE	Sealing cap, long, red, 1-2 mm, 12/pkg	Lap 3.21
2026.62	Hose, high pressure, CO2	Lap 16.2
		Lap 16.3
2026.631	Hose, CO2, high pressure yoke and manometer	Lap 16.2
		Lap 16.3
2026.64	Yoke, CO2	Lap 16.2
		Lap 16.3

Product #	Description	Page #
2030.103	Foot switch	Lap 16.5
2148.95	Hygiene filters, sterile, 10/pkg	Litho 6.1
		Res 18.1
2167.508	Cleaning rods, for transducer & perc probes	Litho 5.3
2167.509	Cleaning rods, for ureteral probes	Litho 5.3
2207.011	Pump, roller suction, 100-230V, 50/60 Hz	Res 18.1
		Litho 6.1
2207.012	Roller suction pump, with CAN-bus option, for "RIWO-NET"	Litho 6.1
		Res 18.1
2207.961	Flow sensor cable	Litho 6.1
		Res 18.1
2207.966	Flow sensor	Litho 6.1
		Res 18.1
2207.976	Bottle top, twist lock, with connections	Res 18.1
		Litho 6.1
2207.991	Cable, synchronization to 2271 US Generator	Litho 6.1
		Res 18.1
2215.002	Laparopump, 110-120V, 60 Hz	Lap 8.3
		Lap 16.7
2215.972	Canisters, suction, 3 L, w/ lids & tubes, 36/pkg	Lap 16.8
2215.973	Rings, wire, for holding suction canisters, 12/pkg	Lap 16.8
2215.974	Pole, for I.V., w/ sturdy 5 arm base	Lap 16.8
2215.991	Stand, irrigation	Lap 16.7
2215.992	Bracket, mounting, for suction canisters	Lap 16.8
2231.621	Insufflator, CO2, high flow, w/ gas warming, 30L / min.	Lap 16.3
2231.631	Insufflator, CO2, high flow, w/ gas warming & video display, 30L / min.	Lap 16.3
2232.601	Insufflator, 30L/min	Lap 16.2
2232.611	Insufflator, 30L/min, video display	Lap 16.2
2232.841	Collecting bottle holder	Litho 6.1
		Res 18.1
2271.004	Ultrasound generator	Litho 5.1

Product #	Description	Page #
822.13	Connector, flexible, B cone	Acc 5.2
822.14	Connector, rigid, B cone	Acc 5.2
822.23	Connector, flexible, C cone	Acc 5.2
822.31	Syringe, bladder, 150 ml	Acc 5.2
822.32	Syringe, bladder, 100 ml	Acc 5.2
822.40	Syringe, bladder, B cone, 150 ml	Acc 5.2
822.60	Adaptor, irrigation	Acc 5.2
822.93	Barrel, spare	Acc 5.2
822.94	Barrel, spare	Acc 5.2
822.97	Barrel, spare	Acc 5.2
823.03	Electrode, button, flexible, unipolar, 3 Fr, 260 mm WL	Acc 11.1
823.031	Electrode, button, flexible, unipolar, 3 Fr, 570 mm WL	Acc 11.1
823.04	Electrode, button, flexible, unipolar, 4 Fr, 400 mm WL	Acc 11.1
823.05	Electrode, button, flexible, unipolar, 5 Fr, 400 mm WL	Acc 11.1
		Cys 5.2
		Ped 4.4
823.06	Electrode, button, flexible, unipolar, 6 Fr, 400 mm WL	Lap 7.1
		Lap 4.1a
		Acc 11.1
		Cys 3.5
		Cys 5.2
823.08	Electrode, button, flexible, unipolar, 8 Fr, 400 mm WL	Acc 11.1
823.10	Electrode, button, flexible, unipolar, 10 Fr, 400 mm WL	Acc 11.1
823.221	Electrode, hook, flexible, 2.4 Fr, 600 mm WL	Acc 11.2
		URS 17.1
824.03	Electrode, needle, 3 Fr, 255 mm WL	Acc 11.2
		Ped 4.1
824.04	Electrode, needle, 4 Fr, 400 mm WL	Acc 11.2
824.05	Electrode, needle, 5 Fr, 400 mm WL	Acc 11.2
		Cys 5.2
824.051	Electrode, hook, flexible, 5 Fr, 600 mm WL	URS 17.1
8243.701	Retractor, tissue, curved, 7 mm Ø, 300 mm WL	Lap 9.1

Product #	Description	Page #
826.05	Electrode, knife, 5 Fr, 445 mm WL	Acc 11.2
8280.22	Forceps, stone, serrated, rigid, 8 Fr, 275 mm WL	Acc 9.2
8280.23	Forceps, stone, sharp jaws, rigid, 8 Fr, 275 mm WL	Acc 9.2
828.03	Forceps, foreign body, flexible, 3 Fr, 230 mm WL	Acc 10.1
828.05	Forceps, foreign body, flexible, 5 Fr, 315 mm WL	Acc 10.1
		Cys 5.2
828.051	Forceps, foreign body, flexible, 5 Fr, 550 mm WL	Acc 10.1
		URS 14.3
		Lap 2.9
828.07	Forceps, flexible, foreign body, 7 Fr	Cys 5.2
828.10	Forceps, foreign body, flexible, 10 Fr, 325 mm WL	Acc 10.1
8283.21	Microscissors, rigid, 235 mm WL	Acc 9.3
828.651	Forceps, grasping, flexible, 3 Fr, 950 mm WL	Lap 2.9
		Acc 10.2
		URS 12.1
		URS 14.2
829.03	Forceps, biopsy, flexible, 3 Fr, 230 mm WL	Acc 10.1
829.05	Forceps, biopsy, flexible, 5 Fr, 315 mm WL	Acc 10.1
		Cys 5.2
829.051	Forceps, biopsy, flexible, 5 Fr, 550 mm WL	Lap 2.9
		Acc 10.1
		URS 14.2
		Lap 2.9
829.055	Forceps, biopsy, flexible, 6.5 Fr, 550 mm WL	Acc 10.1
		Cys 6.1
		Las 9.1
		PCN 6.1
		URS 12.1
829.07	Forceps, biopsy, flexible, 7 Fr, 365 mm WL	Acc 10.1
		Acc 10.1
		Cys 3.5
		Cys 5.2

Product #	Description	Page #
829.10	Forceps, biopsy, flexible, 10 Fr, 325 mm WL	Acc 10.1
829.601	Forceps, biopsy, flexible, 3 Fr, 950 mm WL	Acc 10.1
		URS 14.2
829.651	Forceps, biopsy, flexible, 3 Fr, 850 mm WL	Lap 2.9
830.07	Scissors, flexible, 7 Fr, 365 mm WL	Acc 10.2
		Cys 5.2
8302.08	Needle, Verres 80 mm WL	Lap 16.1
8302.12	Needle, Verres 120 mm WL	Lap 16.1
8302.15	Needle, Verres 150 mm WL	Lap 16.1
8309.012	Trocar sleeve, metal, 2mm Ø, 60 mm WL	Lap 3.1
		Lap 3.16
8309.014	Trocar sleeve, metal, 2 mm Ø, 100 mm WL	Lap 3.1
8309.072	Trocar sleeve, plastic, 2 mm Ø, 60 mm WL	Lap 3.1
8309.121	Trocar, pyramidal tip, 2 mm Ø, 60 mm WL	Lap 3.1
8309.123	Trocar, pyramidal tip, 2 mm Ø, 100 mm WL	Lap 3.1
8309.241	Cannula, injection / aspiration, 1.4-2 mm Ø, 240 mm WL	Lap 4.1a
		Lap 12.1
8309.261	Cannula, biopsy, liver, 1.6/2.0 mm Ø, 240 mm WL	Lap 12.1
		Lap 4.1a
8309.921	Guide rod, dilation, 2-3.5 mm Ø	Lap 3.16
		Lap 3.1
8309.931	Sleeve, dilation, 2-3.5 mm Ø	Lap 3.1
		Lap 3.16
831.06	Cannula, injection, flexible, 6 Fr, 495 mm WL	Acc 11.1
8315.04	Syringe, ratcheted, 1 ml	Ped 4.5
8351.02	Trocar sleeve, Reich, 5 mm Ø, 55 mm WL	Lap 3.5
8351.03	Trocar sleeve, insulated, 5.5 mm Ø, 120 mm WL	Lap 3.5

Product #	Description	Page #
8351.07	Trocar sleeve, insulated, w/o cock, 5.5 mm Ø, 100 mm WL	Lap 3.5
8351.122	Trocar, pyramidal tip, 5 mm Ø, 55 mm WL	Lap 3.5
8351.14	Trocar, pyramidal tip, 5.5 mm Ø, 100 mm WL	Lap 3.5
8367.03	Trocar sleeve, graduated, stop-cock, 2.5 mm Ø	Lap 15.1
8367.12	Trocar, pyramidal tip, 2.5 mm Ø	Lap 15.1
8367.20	Probe, 2.5 mm Ø	Lap 15.1
8370.501	Manipulator, uterus 12 mm Ø, 300 mm WL	Lap 15.6
8370.511	Probe tip, short, bulb, 7.5 mm Ø, 45 mm WL	Lap 15.6
8370.512	Probe tip, medium, bulb 7.5 mm Ø, 65 mm WL	Lap 15.6
8370.513	Probe tip, large, bulb 10 mm Ø, 85 mm WL	Lap 15.6
837.10	Electrode, loop, 10 Fr, 460 mm WL	Acc 11.2
8379.011	Forceps, biopsy, Palmer Jacobs Jaw, 3 mm Ø, 320 mm WL	Lap 4.1b
8379.021	Scissors, hooked, single action blade, 3 mm Ø, 320 mm WL	Lap 4.1b
		Lap 5.1
8379.031	Forceps, grasping, 3 mm Ø, 320 mm WL	Lap 4.1b
8379.041	Forceps, biopsy, spoon double action, 3 mm Ø, 320 mm WL	Lap 4.1b
8379.08	Forceps, alligator, 3 mm Ø, 320 mm WL	Lap 4.1c
8379.40	Electrode, button, 3 mm Ø, 320 mm WL	Lap 7.2
8379.41	Electrode, knife, 3 mm Ø, 320 mm WL	Lap 7.2
8379.452	Electrode, hook, 3.5 mm Ø, 310 mm WL	Lap 7.2

Product #	Description	Page #
8379.462	Electrode, button, 3.5 mm Ø, 310 mm WL	Lap 7.2
8379.482	Electrode, needle, 3.5 mm Ø, 310 mm WL	Lap 7.2
8379.66	Probe, graduated, 3 mm Ø, 320 mm WL	Lap 12.4
8379.672	Probe, graduated, 3.5 mm Ø, 310 mm WL	Lap 12.4
8379.68	Tube, suction / irrigation, graduated, 3 mm Ø, 320 mm WL	Lap 8.6
8379.732	Cannula, aspiration / injection, 3.5 mm Ø, 310 mm WL	Lap 12.1
8380.011	Forceps, biopsy, Palmer Jacobs Jaw, 3 mm Ø, 450 mm WL	Lap 4.1b
8380.021	Scissors, hooked, 3 mm Ø, 450 mm WL	Lap 4.1b
		Lap 5.1
8380.031	Forceps, grasping, 3 mm Ø, 450 mm WL	Lap 4.1b
8380.041	Forceps, biopsy, spoon double action, 3 mm Ø, 450 mm WL	Lap 4.1b
8380.08	Forceps, grasping, 3 mm Ø, 450 mm WL	Lap 4.1c
8380.40	Electrode, button, 3 mm Ø, 450 mm WL	Lap 7.2
8380.41	Electrode, knife, 3 mm Ø, 450 mm WL	Lap 7.2
8380.66	Probe, graduated, 3 mm Ø, 450 mm WL	Lap 12.4
8380.68	Tube, suction / irrigation, graduated, 3 mm Ø, 450 mm WL	Lap 8.6
8380.71	Tube, suction / irrigation, coagulating, 3 mm Ø, 450 mm WL	Lap 8.6
8382.02	Scissors, micro, 5 mm Ø, 310 mm WL	Lap 5.5
8383.00	Sleeve, insertion	Lap 12.2
		Lap 12.3
		Lap 3.4

Product #	Description	Page #
8383.026	Scissors, hooked, single action blade, 5 mm Ø, 320 mm WL	Lap 5.1
8383.028	Scissors, blunt, single action blade, 5 mm Ø, 320 mm WL	Lap 5.1
8383.036	Forceps, grasping, atraumatic, 5 mm Ø, 320 mm WL	Lap 4.11
8383.037	Forceps, grasping, serrated, 5 mm Ø, 320 mm WL	Lap 4.11
8383.046	Forceps, grasping, 5 mm Ø, 315 mm WL	Lap 4.10
8383.047	Forceps, grasping, 2/3 pronged, 5 mm Ø, 315 mm WL	Lap 4.10
8383.08	Forceps, alligator, 5 mm Ø, 315 mm WL	Lap 4.15
8383.101	Forceps, biopsy, double spoon jaws, 5 mm Ø, 320 mm WL	Lap 4.11
8383.102	Electrode, bipolar, hook, 5 mm Ø, 390 mm WL	Lap 7.4
8383.103	Electrode, bipolar, needle, 5 mm Ø, 390 mm WL	Lap 7.4
8383.104	Electrode, bipolar, ball, 5 mm Ø, 390 mm WL	Lap 7.4
8383.124	Forceps, biopsy, 5 mm Ø, 320 mm WL	Lap 4.11
8383.127	Forceps, short, cupped, 5 mm Ø, 315 mm WL	Lap 4.10
8383.131	Forceps, biopsy, hook punch, 5 mm Ø, 320 mm WL	Lap 4.11
8383.14	Forceps, grasping, atraumatic, 5 mm Ø, 320 mm WL	Lap 4.12
8383.141	Forceps, grasping, 5 mm Ø, 320 mm WL	Lap 4.12
8383.142	Forceps, grasping, atraumatic, 5 mm Ø, 320 mm WL	Lap 4.12
8383.21	Handle, bipolar, Kleppinger, scissor style, 320 mm WL	Lap 6.9
8383.2101	Forceps, bipolar, Kleppinger, complete, 5 mm Ø, 320 mm WL	Lap 6.9

Product #	Description	Page #
8383.2102	Forceps bipolar, Kleppinger, complete, 5 mm Ø, 320 mm WL	Lap 6.9
8383.2103	Forceps, bipolar, Kleppinger, complete, 5 mm Ø, 320 mm WL	Lap 6.9
8383.2104	Forceps, bipolar, tweezer, complete, 5 mm Ø, 320 mm WL	Lap 6.9
8383.2105	Forceps, bipolar, Reich, paddle, complete, 5 mm Ø, 320 mm WL	Lap 6.9
8383.2106	Forceps, bipolar, micro, complete, 5 mm Ø, 320 mm WL	Lap 6.9
8383.23	Forceps, bipolar, T-grasper, complete, 5 mm Ø, 320 mm WL	Lap 6.7
8383.232	Forceps bipolar, Teflon tooth, complete, 5 mm Ø, 320 mm WL	Lap 6.7
8383.233	Forceps, Kleppinger, complete, 5 mm Ø, 320 mm WL	Lap 6.7
8383.234	Forceps, bipolar, tweezer, complete, 5 mm Ø, 320 mm WL	Lap 6.7
8383.235	Forceps, bipolar, micro, complete, 5 mm Ø, 320 mm WL	Lap 6.8
8383.236	Forceps, Reich, bipolar paddle, complete, 5 mm Ø, 320 mm WL	Lap 6.8
8383.24	Handle, bipolar, Kleppinger, syringe style, 320 mm WL	Lap 6.10
8383.2401	Forceps, bipolar, T-grasper, complete, 5 mm Ø, 320 mm WL	Lap 6.10
8383.2402	Forceps bipolar, Teflon tooth, complete, 5 mm Ø, 320 mm WL	Lap 6.10
8383.2403	Forceps, bipolar, Kleppinger, complete, 5 mm Ø, 320 mm WL	Lap 6.10

Product #	Description	Page #
8383.2404	Forceps, bipolar, tweezer, complete, 5 mm Ø, 320 mm WL	Lap 6.10
8383.2405	Forceps, bipolar, Reich, paddle, complete, 5 mm Ø, 320 mm WL	Lap 6.10
8383.2406	Forceps, bipolar, micro, complete, 5 mm Ø, 320 mm WL	Lap 6.10
8383.29	Tube, bipolar, coagulation suction, 5 mm Ø, 320 mm WL	Lap 6.12
8383.311	Forceps, grasping, 5 mm Ø, 295 mm WL	Lap 4.14
8383.534	Needle holder, Messroghil, curved right, 5 mm Ø, 320 mm WL	Lap 11.6
8383.321	Forceps, grasping, double action jaws, 5 mm Ø, 315 mm WL	Lap 4.14
8383.40	Electrode, button, 5 mm Ø, 330 mm WL	Lap 7.3
8383.41	Forceps, atraumatic, grooved plates, 5 mm Ø, 310 mm WL	Lap 4.13
8383.423	Electrode, hook, 5 mm Ø, 340 mm WL	Lap 7.3
8383.426	Electrode, needle, 5 mm Ø, 340 mm WL	Lap 7.3
8383.428	Electrode, spatula, 5 mm Ø, 340 mm WL	Lap 7.3
8383.45	Scissors, hooked, 5 mm Ø, 320 mm WL	Lap 5.5
8383.46	Scissors, sawtooth, 5 mm Ø, 320 mm WL	Lap 5.5
8383.471	Forceps, biopsy, spikes, 5 mm Ø, 315 mm WL	Lap 4.15
8383.48	Forceps, dilator, grasper, ampulla, 5 mm Ø, 310 mm WL	Lap 4.13
8383.49	Cannula, puncture, suction control, 5 mm Ø, 315 mm WL	Lap 12.3

Product #	Description	Page #
8383.51	Tube, suction / irrigation, 5 mm Ø, 320 mm WL	Lap 8.7
8383.52	Needle holder, serrated, 3 mm Ø, 320 mm WL	Lap 11.1
8383.521	Sliding seal housing, replacement for needle holders	Lap 11.1
8383.53	Needle holder, serrated, 5 mm Ø, 320 mm WL	Lap 11.1
8383.533	Needle holder, Messroghil, straight, 5 mm Ø, 320 mm WL	Lap 11.6
8383.55	Knot pusher, intra-abdominal, 5 mm Ø, 320 mm WL	Lap 11.4
8383.551	Knot pusher, extracorporeal, 5 mm Ø, 320 mm WL	Lap 11.4
8383.571	Forceps, curved left, 5 mm Ø, 315 mm WL	Lap 4.18
8383.581	Forceps, Petelin, angled 30°, 5 mm Ø, 315 mm WL	Lap 4.18
8383.582	Forceps, Petelin, angled 60°, 5 mm Ø, 315 mm WL	Lap 4.18
8383.591	Forceps, grasping, angled left, 5 mm Ø, 315 WL	Lap 4.17
8383.60	Cannula, injection, puncture, 0.7 mm Ø, 345 mm WL	Lap 12.2
8383.611	Myoma screw, 5 mm Ø, 320 mm WL	Lap 14.2
		Lap 15.4
8383.65	Cannula, injection, 1.8 mm Ø, 345 mm WL	Lap 12.2
8383.661	Probe, solid, 5 mm Ø, 320 mm WL	Lap 12.5
8383.662	Probe, solid, titanium, 5 mm Ø, 320 mm WL	Lap 12.5
8383.68	Tube, suction / irrigation, 5 mm Ø, 320 mm WL	Lap 8.7
8383.691	Retractor, tissue, straight, 5 mm Ø, 300 mm WL	Lap 9.1
8383.71	Tube, coagulation, suction, trumpet valve, 5 mm Ø, 320 mm WL	Lap 8.9

Product #	Description	Page #
8383.72	Tube, suction / irrigation, luer connector, 5 mm Ø, 320 mm WL	Lap 8.7
8383.73	Tube, coagulation, suction, stopcock valve, 5 mm Ø, 320 mm WL	Lap 8.9
8383.732	Tube, suction / irrigation, 5 mm Ø, 320 mm WL	Lap 8.8
8383.755	Tube, suction / irrigation, combo, 5 mm Ø, 320 mm WL	Lap 8.8
8383.756	Sleeve, insertion, for simultaneous suction / irrigation	Lap 8.8
8383.77	Tube, suction / instillation, 5 mm Ø, 320 mm WL	Lap 8.7
8383.78	Applicator, for suturing, 5 mm Ø, 155 mm WL	Lap 11.2
8383.811	Probe, HF spatula, 5 mm Ø, 310 mm WL	Lap 8.1
		Lap 8.5
8383.812	Electrode, HF, hook, 5 mm Ø, 310 mm WL	Lap 8.1
		Lap 8.5
8383.813	Electrode, HF button, 5 mm Ø, 310 mm WL	Lap 8.1
		Lap 8.5
8383.819	Adapter, suction / irrigation, 2 way tap	Lap 8.5
8383.911	Tube, suction, irrigation, 5mm Ø, 310 mm WL	Lap 8.1
		Lap 8.4
8383.912	Tube, suction, irrigation, angled, 5mm Ø, 310 mm WL	Lap 8.1
		Lap 8.4
8383.913	Tube, irrigation, for aquadissection, 5mm Ø, 310 mm WL	Lap 8.1
		Lap 8.4
8383.94	Tube, suction / irrigation, combo, 5 mm Ø, 320 mm WL	Lap 8.8
8383.974	Handle, open spring, 320 mm WL	Lap 6.7

Product #	Description	Page #
8383.974	Handle, open spring, 320 mm WL	Lap 6.8
8384.022	Scissors, hooked, single action blade, 5 mm Ø, 450 mm WL	Lap 5.1
8384.036	Forceps, grasping, atraumatic, 5 mm Ø, 450 mm WL	Lap 4.11
8384.101	Forceps, biopsy, double spoon jaws, 5 mm Ø, 450 mm WL	Lap 4.11
8384.124	Forceps, biopsy, 5 mm Ø, 450 mm WL	Lap 4.11
8384.131	Forceps, biopsy, hook punch, 5 mm Ø, 450 mm WL	Lap 4.11
8384.14	Forceps grasping atraumatic, 5 mm Ø, 450 mm WL	Lap 4.12
8384.141	Forceps, grasping, 5 mm Ø, 450 mm WL	Lap 4.12
8384.142	Forceps, grasping, atraumatic, 5 mm Ø, 450 mm WL	Lap 4.12
8384.21	Handle, bipolar, Kleppinger, scissor style, 450 mm WL	Lap 6.9
8384.2101	Forceps, bipolar, Kleppinger, complete, 5 mm Ø, 450 mm WL	Lap 6.9
8384.2102	Forceps, bipolar, Kleppinger, complete, 5 mm Ø, 450 mm WL	Lap 6.9
8384.2103	Forceps, bipolar, Kleppinger, complete, 5 mm Ø, 450 mm WL	Lap 6.9
8384.2104	Forceps, bipolar, tweezer, complete, 5 mm Ø, 450 mm WL	Lap 6.9
8384.2105	Forceps, bipolar, Reich, paddle, complete, 5 mm Ø, 450 mm WL	Lap 6.9
8384.2106	Forceps bipolar, micro, complete, 5 mm Ø, 450 mm WL	Lap 6.9
8384.23	Forceps, bipolar, T-grasper, complete, 5 mm Ø, 450 mm WL	Lap 6.7

Product #	Description	Page #
8384.232	Forceps, bipolar, Teflon tooth, complete, 5 mm Ø, 450 mm WL	Lap 6.7
8384.233	Forceps, Kleppinger, complete, 5 mm Ø, 450 mm WL	Lap 6.7
8384.234	Forceps, bipolar, tweezer, complete, 5 mm Ø, 450 mm WL	Lap 6.7
8384.235	Forceps bipolar, complete, micro, 5 mm Ø, 450 mm WL	Lap 6.8
8384.236	Forceps, Reich, bipolar paddle, complete, 5 mm Ø, 450 mm WL	Lap 6.8
8384.24	Handle, bipolar, Kleppinger, syringe style, 450 mm WL	Lap 6.10
8384.2401	Forceps, bipolar, T-grasper, complete, 5 mm Ø, 450 mm WL	Lap 6.10
8384.2402	Forceps, bipolar, Teflon tooth, complete, 5 mm Ø, 450 mm WL	Lap 6.10
8384.2403	Forceps, bipolar, Kleppinger, complete, 5 mm Ø, 450 mm WL	Lap 6.10
8384.2404	Forceps, bipolar, tweezer, complete, 5 mm Ø, 450 mm WL	Lap 6.10
8384.2405	Forceps, bipolar, Reich, paddle, complete, 5 mm Ø, 450 mm WL	Lap 6.10
8384.2406	Forceps bipolar, micro, complete, 5 mm Ø, 450 mm WL	Lap 6.10
8384.29	Tube, bipolar, coagulation suction, 5 mm Ø, 450 mm WL	Lap 6.12
8384.40	Electrode, button, 5 mm Ø, 450 mm WL	Lap 7.3
8384.423	Electrode, hook, 5 mm Ø, 420 mm WL	Lap 7.3
8384.60	Cannula, injection, puncture, 0.7 mm Ø, 450 mm WL	Lap 12.2

Product #	Description	Page #
8384.65	Cannula, injection, 1.8 mm Ø, 450 mm WL	Lap 12.2
8384.66	Probe, graduated, 5 mm Ø, 450 mm WL	Lap 12.5
8384.661	Probe, solid, 5 mm Ø, 450 mm WL	Lap 12.5
8384.662	Probe, solid, titanium, 5 mm Ø, 450 mm WL	Lap 12.5
8384.68	Tube, suction / irrigation, 5 mm Ø, 450 mm WL	Lap 8.7
8384.71	Tube, coagulation, suction, trumpet valve, 5 mm Ø, 450 mm WL	Lap 8.9
8384.73	Tube, coagulation, suction, stopcock valve, 5 mm Ø, 450 mm WL	Lap 8.9
8384.732	Tube, suction / irrigation, 5 mm Ø, 410 mm WL	Lap 8.8
8384.77	Tube, suction / instillation, 5 mm Ø, 450 mm WL	Lap 8.7
8384.911	Tube, suction, irrigation, 5mm Ø, 450 mm WL	Lap 8.1
		Lap 8.4
8384.974	Handle, open spring, 450 mm WL	Lap 6.7
		Lap 6.8
8385.00	Morcellator, 10 mm Ø, 280 mm WL	Lap 4.23
8385.10	Forceps, grasping, 2/3 pronged, single action, 10 mm Ø, 335 mm WL	Lap 4.22
8385.11	Scissors, 10 mm Ø, 335 mm WL	Lap 5.7
8385.12	Forceps, grasping, spoon shaped, 10 mm Ø, 335 mm WL	Lap 4.22
8385.13	Forceps, alligator, 10 mm Ø, 335 mm WL	Lap 4.22
8385.181	Forceps, tenaculum, 10 mm Ø, 300 mm WL	Lap 15.7
		Lap 14.2
8385.301	Myoma screw, 10 mm Ø, 320 mm WL	Lap 14.2
		Lap 15.4

Product #	Description	Page #
8385.50	Sleeve, instrument and extractor, 10/5 mm Ø, 170 mm WL	Lap 3.16
		Lap 3.17
		Lap 3.20
8385.611	Forceps, Babcock, 10 mm Ø, 290 mm WL	Lap 4.22
8385.791	Choledochotome, rigid, 10 mm Ø, 330 mm WL	Lap 5.8
8385.901	Handle, suction, irrigation	Lap 8.2
8385.902	Sealing cap, for suction irrigation system	Lap 8.1
		Lap 8.2
8385.903	Sealing adapter	Lap 8.1
		Lap 8.2
		Lap 8.4
8385.942	Tube, suction, irrigation, 10 mm Ø, 225 mm WL	Lap 8.1
		Lap 8.4
8385.951	Tube, suction, irrigation, 10 mm Ø, 310 mm WL	Lap 8.1
		Lap 8.4
8386.001	Endodilator, 14 mm Ø, 55 mm WL	Lap 3.19
8386.301	Handle, motorized	Lap 14.1
8386.302	Gear, angular	Lap 14.1
8386.305	Cable, detachable, for handle	Lap 14.1
8386.311	Tube, morcellator, 10 mm Ø	Lap 14.1
8386.315	Tube, morcellator, 15 mm Ø	Lap 14.1
8386.391	Cap, protection, set	Lap 14.1
8387.84	Applicator, Hulka clip, 7 mm Ø, 300 mm WL	Lap 15.3
8388.231	Forceps, bipolar, universal, syringe handle, complete, 5 mm Ø, 150 mm WL	Lap 6.11
8388.241	Forceps, bipolar, Kleppinger, syringe handle, complete, 5 mm Ø, 150 mm WL	Lap 6.11
8388.704	Forceps, bipolar, universal, 5 mm Ø, 150 mm WL	Lap 6.11
8388.714	Forceps, bipolar, Kleppinger, 5 mm Ø, 150 mm WL	Lap 6.11

Product #	Description	Page #
8388.731	Forceps, bipolar universal, spring handle, complete, 5 mm Ø, 150 mm WL	Lap 6.11
8388.741	Forceps, bipolar, Kleppinger, spring handle, complete, 5 mm Ø, 150 mm WL	Lap 6.11
8388.761	Forceps, bipolar, universal, sliding handle, complete, 5 mm Ø, 150 mm WL	Lap 6.11
8388.771	Forceps, bipolar, Kleppinger, sliding handle, complete, 5 mm Ø, 150 mm WL	Lap 6.11
8388.84	Applicator, Hulka clip, 7 mm Ø, 440 mm WL	Lap 15.3
8388.98	Sleeve, reducing	Lap 15.3
8389.006	Scissors, Metzenbaum, 3.5 mm Ø, 430 mm WL	Lap 5.2
8389.0063	Scissors, Metzenbaum, complete, 3.5 mm Ø, 430 mm WL	Lap 5.2
8389.715	Forceps, bipolar, EVMS, 3.5 mm Ø, 440 mm WL	Lap 6.1
		Lap 6.2
8389.726	Forceps, bipolar, tweezer, 3.5 mm Ø, 440 mm WL	Lap 6.1
		Lap 6.2
8389.742	Forceps, bipolar, EVMS, complete, 3.5 mm Ø, 440 mm WL	Lap 6.2
8389.772	Forceps, bipolar, EVMS, complete, 3.5 mm Ø, 440 mm WL	Lap 6.1
8389.793	Forceps, bipolar tweezer, complete, 3.5 mm Ø, 440 mm WL	Lap 6.2
8389.813	Forceps, bipolar, tweezer, complete, 3.5 mm Ø, 440 mm WL	Lap 6.1
8389.911	Clip Applicator, 10 mm Ø, 340 mm WL	Lap 10.1
8389.921	Tube, outer, 3.5 mm Ø, 440 mm WL	Lap 6.1
		Lap 6.2
8389.991	Sleeve, introducing, 10 mm Ø	Lap 10.1

Product #	Description	Page #
8390.006	Scissors, Metzenbaum, 3.5 mm Ø, 240 mm WL	Lap 5.2
8390.0063	Scissors, Metzenbaum, complete, 3.5 mm Ø, 240 mm WL	Lap 5.2
8390.204	Forceps, grasping, 3.5 mm Ø, 240 mm WL	Lap 4.2
8390.2044	Forceps, grasping, complete, 3.5 mm Ø, 240 mm WL	Lap 4.2
8390.2045	Forceps, grasping, complete, 3.5 mm Ø, 240 mm WL	Lap 4.2
8390.205	Forceps, Maryland, 3.5 mm Ø, 240 mm WL	Lap 4.2
8390.2054	Forceps, grasping, complete, 3.5 mm Ø, 240 mm WL	Lap 4.2
8390.2055	Forceps, grasping, complete, 3.5 mm Ø, 240 mm WL	Lap 4.2
8390.254	Forceps, universal, 3.5 mm Ø, 240 mm WL	Lap 4.2
8390.2544	Forceps, universal, complete, 3.5 mm Ø, 240 mm WL	Lap 4.2
8390.2545	Forceps, universal, complete, 3.5 mm Ø, 240 mm WL	Lap 4.2
8390.255	Forceps, Babcock, 3.5 mm Ø, 240 mm WL	Lap 4.2
8390.2554	Forceps, Babcock, complete, 3.5 mm Ø, 240 mm WL	Lap 4.2
8390.2555	Forceps, Babcock, complete, 3.5 mm Ø, 240 mm WL	Lap 4.2
8391.006	Scissors, Metzenbaum, 3.5 mm Ø, 310 mm WL	Lap 5.2
8391.0063	Scissors, Metzenbaum, complete, 3.5 mm Ø, 310 mm WL	Lap 5.2
8391.014	Scissors, hooked, one blade opening, 3.5 mm Ø, 310 mm WL	Lap 5.2
8391.0143	Scissors, hooked, one blade opening, complete, 3.5 mm Ø, 310 mm WL	Lap 5.2

Product #	Description	Page #
8391.204	Forceps, grasping, 3.5 mm Ø, 310 mm WL	Lap 4.2
8391.2044	Forceps, grasping, complete, 3.5 mm Ø, 310 mm WL	Lap 4.2
8391.2045	Forceps, grasping, complete, 3.5 mm Ø, 310 mm WL	Lap 4.2
8391.205	Forceps, Maryland, 3.5 mm Ø, 310 mm WL	Lap 4.2
8391.2054	Forceps, Maryland, complete, 3.5 mm Ø, 310 mm WL	Lap 4.2
8391.2055	Forceps, Maryland, complete, 3.5 mm Ø, 310 mm WL	Lap 4.2
8391.254	Forceps, universal, 3.5 mm Ø, 310 mm WL	Lap 4.2
8391.2544	Forceps, universal, complete, 3.5 mm Ø, 310 mm WL	Lap 4.2
8391.2545	Forceps, universal, complete, 3.5 mm Ø, 310 mm WL	Lap 4.2
8391.255	Forceps, Babcock, 3.5 mm Ø, 310 mm WL	Lap 4.2
8391.2554	Forceps, Babcock, complete, 3.5 mm Ø, 310 mm WL	Lap 4.2
8391.2555	Forceps, Babcock, complete, 3.5 mm Ø, 310 mm WL	Lap 4.2
8391.405	Forceps, biopsy, cutting action, 3.5 mm Ø, 310 mm WL	Lap 4.3
8391.4053	Forceps, biopsy, cutting action, complete, 3.5 mm Ø, 310 mm WL	Lap 4.3
8391.406	Forceps, biopsy, spoon shaped, 3.5 mm Ø, 310 mm WL	Lap 4.3
8391.4063	Forceps, biopsy, spoon shaped, complete, 3.5 mm Ø, 310 mm WL	Lap 4.3
8391.501	Needle holder, straight, complete, 3.5 mm Ø, 310 mm WL	Lap 11.3
8391.504	Needle holder, straight, 3.5 mm Ø, 310 mm WL	Lap 11.3

Product #	Description	Page #
8391.715	Forceps, bipolar, ESDP, 3.5 mm Ø, 340 mm WL	Lap 6.1
		Lap 6.2
8391.726	Forceps, bipolar, tweezer, 3.5 mm Ø, 340 mm WL	Lap 6.1
		Lap 6.2
8391.742	Forceps, bipolar, ESDP, complete, 3.5 mm Ø, 340 mm WL	Lap 6.2
8391.772	Forceps, bipolar, ESDP, complete, 3.5 mm Ø, 340 mm WL	Lap 6.1
8391.793	Forceps, bipolar tweezer, complete, 3.5 mm Ø, 340 mm WL	Lap 6.2
8391.813	Forceps, bipolar, tweezer, complete, 3.5 mm Ø, 340 mm WL	Lap 6.1
8391.911	Tube, suction, irrigation, 3.5 mm Ø, 310 mm WL	Lap 8.1
		Lap 8.4
8391.921	Tube, outer, 3.5 mm Ø, 340 mm WL	Lap 6.1
		Lap 6.2
8392.015	Scissors, Metzenbaum, curved left, single action, 5 mm Ø, 240 mm WL	Lap 5.4
8392.0153	Scissors, Metzenbaum, curved left, complete, single action, 5 mm Ø, 240 mm WL	Lap 5.4
8392.024	Scissors, Metzenbaum, curved left, 5 mm Ø, 240 mm WL	Lap 5.3
8392.0243	Scissors, Metzenbaum, curved left, complete, 5 mm Ø, 240 mm WL	Lap 5.3
8392.025	Scissors, straight, double action, 5 mm Ø, 240 mm WL	Lap 5.4
8392.0253	Scissors, straight, double action, complete, 5 mm Ø, 240 mm WL	Lap 5.4

2

Product #	Description	Page #
8392.204	Forceps, grasping, 5 mm Ø, 240 mm WL	Lap 4.4
8392.2044	Forceps, grasping, complete, 5 mm Ø, 240 mm WL	Lap 4.4
8392.2045	Forceps, grasping, complete, 5 mm Ø, 240 mm WL	Lap 4.4
8392.205	Forceps, dissector, Maryland, 5 mm Ø, 240 mm WL	Lap 4.6
8392.2053	Forceps, Maryland, complete, 5 mm Ø, 240 mm WL	Lap 4.6
8392.2055	Forceps, Maryland, complete, 5 mm Ø, 240 mm WL	Lap 4.6
8392.325	Forceps, Babcock, 5 mm Ø, 240 mm WL	Lap 4.8
8392.3252	Forceps, Babcock, complete, 5 mm Ø, 240 mm WL	Lap 4.8
8392.911	Sheath tube, insulated, 5 mm Ø, 240 mm WL	Lap 5.3
		Lap 5.4
		Lap 4.4
		Lap 4.6
		Lap 4.8
8393.0001	Handle, w/o ratchet, w/o HF, rotatable	Lap 5.6
		Lap 11.4
8393.0002	Handle, w/ratchet, w/o HF	Lap 4.8
		Lap 4.19
		Lap 4.20
		Lap 4.21
		Lap 4.21
8393.0003	Handle, w/o ratchet, rotatable	Lap 4.3
		Lap 4.4
		Lap 4.6
		Lap 4.9
		Lap 4.16
		Lap 5.2
		Lap 5.3
		Lap 5.4
8393.0004	Handle, w/ratchet, rotatable	Lap 4.2
		Lap 4.4
		Lap 4.5
		Lap 4.6
		Lap 4.7
		Lap 4.8
		Lap 4.16
8393.0005	Handle, axial, w/ratchet	Lap 4.2

Product #	Description	Page #
		Lap 4.4
		Lap 4.5
		Lap 4.6
		Lap 4.7
		Lap 4.16
8393.006	Scissors, hooked, 5 mm Ø, 310 mm WL	Lap 5.4
8393.0063	Scissors, hooked, complete, 5 mm Ø, 310 mm WL	Lap 5.4
8393.0068	Scissors, hook, "Grip Line", 5 mm Ø, 310 mm WL	Lap 4.24
8393.014	Scissors, micro, double action, 5 mm Ø, 310 mm WL	Lap 5.4
8393.0143	Scissors, micro, double action, complete, 5 mm Ø, 310 mm WL	Lap 5.4
8393.015	Scissors, Metzenbaum, curved left, single action, 5 mm Ø, 310 mm WL	Lap 5.4
8393.0153	Scissors, Metzenbaum, curved left, single action, complete, 5 mm Ø, 310 mm WL	Lap 5.4
8393.016	Forceps, hook punch, Frangenheim, 5 mm Ø, 310 mm WL	Lap 4.9
8393.0163	Forceps, hook punch, Frangenheim, complete, 5 mm Ø, 310 mm WL	Lap 4.9
8393.0168	Forceps, hook punch, "Grip Line", 5 mm Ø, 310 mm WL	Lap 4.27
8393.024	Scissors, Metzenbaum, curved left, 5 mm Ø, 310 mm WL	Lap 5.3
8393.0243	Scissors, Metzenbaum, curved left, complete, 5 mm Ø, 310 mm WL	Lap 5.3
8393.0248	Scissors, Metzenbaum, "Grip Line", 5 mm Ø, 310 mm WL	Lap 4.24

Product #	Description	Page #
8393.025	Scissors, straight, double action, 5 mm Ø, 310 mm WL	Lap 5.4
8393.0253	Scissors, straight, double action, complete, 5 mm Ø, 310 mm WL	Lap 5.4
8393.034	Scissors, Metzenbaum, curved left, pack of 3 (8393.024), 5 mm Ø, 310 mm WL	Lap 5.3
8393.204	Forceps, grasping, 5 mm Ø, 310 mm WL	Lap 4.4
8393.2044	Forceps, grasping, complete, 5 mm Ø, 310 mm WL	Lap 4.4
8393.2045	Forceps, grasping, complete, 5 mm Ø, 310 mm WL	Lap 4.4
8393.205	Forceps, Maryland, 5 mm Ø, 310 mm WL	Lap 4.6
8393.2053	Forceps, Maryland, complete, 5 mm Ø, 310 mm WL	Lap 4.6
8393.2055	Forceps, Maryland, complete, 5 mm Ø, 310 mm WL	Lap 4.6
8393.2058	Forceps, Maryland, "Grip Line", 5 mm Ø, 310 mm WL	Lap 4.24
8393.206	Forceps, grasping, blunt, 5 mm Ø, 310 mm WL	Lap 4.4
8393.2063	Forceps, grasping, blunt, complete, 5 mm Ø, 310 mm WL	Lap 4.4
8393.214	Forceps, grasping, 5 mm Ø, 310 mm WL	Lap 4.16
8393.2143	Forceps, grasping, complete, 5 mm Ø, 310 mm WL	Lap 4.16
8393.215	Forceps, Petelin, angled 30°, 5 mm Ø, 310 mm WL	Lap 4.16
8393.2154	Forceps, Petelin, angled 30°, complete, 5 mm Ø, 310 mm WL	Lap 4.16
8393.2155	Forceps, Petelin, angled 30°, complete, 5 mm Ø, 310 mm WL	Lap 4.16
8393.216	Forceps, Petelin, angled 60°, 5 mm Ø, 310 mm WL	Lap 4.16

Product #	Description	Page #
8393.2164	Forceps, Petelin, angled 60°, complete, 5 mm Ø, 310 mm WL	Lap 4.16
8393.2165	Forceps, Petelin, angled 60°, complete, 5 mm Ø, 310 mm WL	Lap 4.16
8393.224	Forceps, grasping, 18mm tapered, 5 mm Ø, 310 mm WL	Lap 4.6
8393.2244	Forceps, grasping, 18mm tapered, complete, 5 mm Ø, 310 mm WL	Lap 4.6
8393.2245	Forceps, grasping, 18mm tapered, complete, 5 mm Ø, 310mm WL	Lap 4.6
8393.225	Forceps, grasping, 14mm tapered, 5 mm Ø, 310 mm WL	Lap 4.4
8393.2254	Forceps, grasping, 14mm tapered, complete, 5 mm Ø, 310 mm WL	Lap 4.4
8393.2255	Forceps, grasping, 14mm tapered, complete, 5 mm Ø, 310mm WL	Lap 4.4
8393.234	Forceps, grasping, teeth, 5 mm Ø, 310 mm WL	Lap 4.5
8393.2344	Forceps, grasping teeth, complete, 5 mm Ø, 310 mm WL	Lap 4.5
8393.2345	Forceps, grasping, teeth, complete, 5 mm Ø, 310 mm WL	Lap 4.5
8393.235	Forceps, grasping, teeth, 5 mm Ø, 310 mm WL	Lap 4.5
8393.2354	Forceps, grasping, teeth, complete, 5 mm Ø, 310 mm WL	Lap 4.5
8393.2355	Forceps, grasping, teeth, complete, 5 mm Ø, 310 mm WL	Lap 4.5
8393.236	Forceps, grasping, 5 mm Ø, 310 mm WL	Lap 4.6
8393.2363	Forceps, grasping, complete, 5 mm Ø, 310 mm WL	Lap 4.6
8393.2364	Forceps, grasping, complete, 5 mm Ø, 310 mm WL	Lap 4.6

Product #	Description	Page #
8393.2369	Forceps, grasping "Grip Line", 5 mm Ø, 310 mm WL	Lap 4.25
8393.2418	Forceps, grasping, "Grip Line", 5 mm Ø, 310 mm WL	Lap 4.24
8393.244	Forceps, grasping, 5 mm Ø, 310 mm WL	Lap 4.6
8393.2443	Forceps, grasping, complete, 5 mm Ø, 310 mm WL	Lap 4.6
8393.254	Forceps, universal, 5 mm Ø, 310 mm WL	Lap 4.7
8393.2544	Forceps, universal, complete, 5 mm Ø, 310 mm WL	Lap 4.7
8393.2545	Forceps, universal, complete, 5 mm Ø, 310 mm WL	Lap 4.7
8393.2549	Forceps, Wave Side, "Grip Line", 5 mm Ø, 310 mm WL	Lap 4.25
8393.255	Forceps, grasping, plate shape, 5 mm Ø, 310 mm WL	Lap 4.7
8393.2554	Forceps, grasping, plate shape, complete, 5 mm Ø, 310 mm WL	Lap 4.7
8393.2555	Forceps, grasping, plate shape, complete, 5 mm Ø, 310 mm WL	Lap 4.7
8393.264	Forceps, grasping, 5 mm Ø, 310 mm WL	Lap 4.7
8393.2644	Forceps, grasping, complete, 5 mm Ø, 310 mm WL	Lap 4.7
8393.2645	Forceps, grasping, complete, 5 mm Ø, 310 mm WL	Lap 4.7
8393.265	Forceps, grasping, 5 mm Ø, 310 mm WL	Lap 4.5
8393.2654	Forceps, grasping, complete, 5 mm Ø, 310 mm WL	Lap 4.5
8393.2655	Forceps, grasping, complete, 5 mm Ø, 310 mm WL	Lap 4.5
8393.2659	Forceps, grasper, "Grip Line", 5 mm Ø, 310 mm WL	Lap 4.25
8393.266	Forceps, grasping, teeth, 5 mm Ø, 310 mm WL	Lap 4.5

Product #	Description	Page #
8393.2664	Forceps, grasping, teeth, complete, 5 mm Ø, 310 mm WL	Lap 4.5
8393.2665	Forceps, grasping, teeth, complete, 5 mm Ø, 310 mm WL	Lap 4.5
8393.274	Forceps, grasping, 5 mm Ø, 310 mm WL	Lap 4.7
8393.2744	Forceps, grasping, complete, 5 mm Ø, 310 mm WL	Lap 4.7
8393.2745	Forceps, grasping, complete, 5 mm Ø, 310 mm WL	Lap 4.7
8393.292	Forceps, wave side, 5 mm Ø, 310 mm WL	Lap 4.8
8393.2922	Forceps, wave side, complete, 5 mm Ø, 310 mm WL	Lap 4.8
8393.2927	Forceps, Wave Side, "Grip Line", 5 mm Ø, 310 mm WL	Lap 4.26
8393.2937	Forceps, Wave Side, "Grip Line", 5 mm Ø, 310 mm WL	Lap 4.26
8393.324	Forceps, Debakey, 5 mm Ø, 310 mm WL	Lap 4.8
8393.3242	Forceps, Debakey, complete, 5 mm Ø, 310 mm WL	Lap 4.8
8393.325	Forceps, Babcock, 5 mm Ø, 310 mm WL	Lap 4.8
8393.3252	Forceps, Babcock, complete, 5 mm Ø, 310 mm WL	Lap 4.8
8393.3257	Forceps, Babcock, "Grip Line", 5 mm Ø, 310 mm WL	Lap 4.26
8393.3267	Forceps, Paddle Babcock, "Grip Line", 5 mm Ø, 310 mm WL	Lap 4.26
8393.344	Knot pusher, distal fork, double action, 5 mm Ø, 310 mm WL	Lap 11.4
8393.3441	Knot pusher, distal fork, double action, complete, 5 mm Ø, 310 mm WL	Lap 11.4
8393.404	Forceps, biopsy, spiked, 5 mm Ø, 310 mm WL	Lap 4.9

Product #	Description	Page #
8393.4043	Forceps, biopsy, spiked, complete, 5 mm Ø, 310 mm WL	Lap 4.9
8393.4048	Forceps, biopsy, spiked, "Grip Line", 5 mm Ø, 310 mm WL	Lap 4.27
8393.405	Forceps, biopsy, 5 mm Ø, 310 mm WL	Lap 4.9
8393.4053	Forceps, biopsy, complete, 5 mm Ø, 310 mm WL	Lap 4.9
8393.4058	Forceps, biopsy, "Grip Line", 5 mm Ø, 310 mm WL	Lap 4.27
8393.414	Forceps, grasping, 5 mm Ø, 310 mm WL	Lap 4.8
8393.4144	Forceps, grasping, complete, 5 mm Ø, 310 mm WL	Lap 4.8
8393.4149	Forceps, Mixer, "Grip Line", 5 mm Ø, 310 mm WL	Lap 4.25
8393.4159	Forceps, alligator, "Grip Line", 5 mm Ø, 310 mm WL	Lap 4.25
8393.4628	Forceps, dolphin nose, "Grip Line", 5 mm Ø, 310 mm WL	Lap 4.24
8393.489	Forceps, retraction grasper, 5 mm Ø, 310 mm WL	Lap 4.8
8393.4892	Forceps, retraction grasper, complete, 5 mm Ø, 310 mm WL	Lap 4.8
8393.4897	Forceps, retraction, "Grip Line", 5 mm Ø, 310 mm WL	Lap 4.26
8393.4947	Forceps, bowel, "Grip Line", 5 mm Ø, 310 mm WL	Lap 4.26
8393.501	Needle holder, straight, complete, 5 mm Ø, 310 mm WL	Lap 11.3
8393.502	Needle holder, straight, complete, 5 mm Ø, 310 mm WL	Lap 11.3
8393.503	Needle holder, Sarbu, complete, 5 mm Ø, 310 mm WL	Lap 11.3
8393.504	Needle holder, straight, 5 mm Ø, 310 mm WL	Lap 11.3

Product #	Description	Page #
8393.505	Needle holder, straight, 5 mm Ø, 310 mm WL	Lap 11.3
8393.506	Needle holder, Sarbu, 5 mm Ø, 310 mm WL	Lap 11.3
8393.511	Needle holder, curved, complete, 5 mm Ø, 310 mm WL	Lap 11.3
8393.514	Needle holder, curved, 5 mm Ø, 310 mm WL	Lap 11.3
8393.704	Forceps, bipolar, T-grasper, 5 mm Ø, 300 mm WL	Lap 6.3
		Lap 6.5
		Lap 6.7
		Lap 6.9
		Lap 6.10
8393.705	Forceps, bipolar, Teflon tooth, 5 mm Ø, 300 mm WL	Lap 6.3
		Lap 6.5
		Lap 6.7
		Lap 6.9
		Lap 6.10
8393.714	Forceps, Kleppinger, 5 mm Ø, 300 mm WL	Lap 6.3
		Lap 6.5
		Lap 6.7
		Lap 6.9
		Lap 6.10
8393.724	Forceps, bipolar, tweezer, 5 mm Ø, 300 mm WL	Lap 6.3
		Lap 6.5
		Lap 6.7
		Lap 6.9
		Lap 6.10
8393.725	Forceps, bipolar, Reich, paddle, 5 mm Ø, 320 mm WL	Lap 6.4
		Lap 6.6
		Lap 6.8
		Lap 6.9
		Lap 6.10
8393.726	Forceps, bipolar, micro, 5 mm Ø, 320 mm WL	Lap 6.4
		Lap 6.6
		Lap 6.8
		Lap 6.9
		Lap 6.10
8393.731	Forceps, bipolar, T-grasper, complete, 5 mm Ø, 320 mm WL	Lap 6.5

Product #	Description	Page #
8393.732	Forceps, bipolar, Teflon tooth, complete, 5 mm Ø, 320 mm WL	Lap 6.5
8393.741	Forceps, Kleppinger, complete, 5 mm Ø, 320 mm WL	Lap 6.5
8393.761	Forceps, bipolar, T-grasper, complete, 5 mm Ø, 300 mm WL	Lap 6.3
8393.762	Forceps, bipolar Teflon tooth, complete, 5 mm Ø, 300 mm WL	Lap 6.3
8393.771	Forceps, Kleppinger, complete, 5 mm Ø, 300 mm WL	Lap 6.3
8393.781	Forceps, bipolar, tweezer, complete, 5 mm Ø, 320 mm WL	Lap 6.5
8393.793	Forceps, bipolar, micro, complete, 5 mm Ø, 320 mm WL	Lap 6.6
8393.801	Forceps, bipolar, tweezer, complete, 5 mm Ø, 300 mm WL	Lap 6.3
8393.803	Forceps, bipolar, Reich, paddle, complete, 5 mm Ø, 320 mm WL	Lap 6.6
8393.813	Forceps, bipolar, micro, complete, 5 mm Ø, 320 mm WL	Lap 6.4
8393.823	Forceps, bipolar, Reich, complete, 5 mm Ø, 320 mm WL	Lap 6.4
8393.901	Sheath tube, uninsulated, 5 mm Ø, 310 mm WL	Lap 11.4
8393.911	Sheath tube, insulated, 5 mm Ø, 310 mm WL	Lap 4.4
		Lap 4.5
		Lap 4.6
		Lap 4.7
		Lap 4.8
		Lap 4.8
		Lap 4.9
		Lap 4.16
		Lap 5.3
		Lap 5.4

Product #	Description	Page #
8393.913	Sheath tube, extended insulation, 5 mm Ø, 310 mm WL	Lap 4.8
8393.923	Sliding sleeve, 5 mm Ø, 320 mm WL	Lap 6.3
		Lap 6.4
		Lap 6.5
		Lap 6.6
8393.924	Tube, outer, 5 mm Ø, 320 mm WL	Lap 6.3
		Lap 6.4
8393.925	Tube, outer, 5 mm Ø, 320 mm WL	Lap 6.5
		Lap 6.6
8393.941	Handle, axial	Lap 4.21
8393.974	Handle, sliding	Lap 6.1
		Lap 6.3
		Lap 6.4
8393.975	Handle, spring	Lap 6.2
		Lap 6.5
		Lap 6.6
8393.976	Screw-on cap, 3.5 mm Ø	Lap 6.2
8393.977	Handle, roller, 3.5 mm Ø, 340 mm WL	Lap 6.1
8393.978	Screw-on cap, with sleeve, 3.5 mm Ø	Lap 6.2
8393.979	Handle, roller, with sleeve, 3.5 mm Ø, 340 mm WL	Lap 6.1
8394.006	Scissors, hooked, 5 mm Ø, 430 mm WL	Lap 5.4
8394.0063	Scissors, hooked, complete, 5 mm Ø, 430 mm WL	Lap 5.4
8394.0068	Scissors, hook, "Grip Line", 5 mm Ø, 430 mm WL	Lap 4.24
8394.015	Scissors, Metzenbaum, curved left, single action, 5 mm Ø, 430 mm WL	Lap 5.4
8394.0153	Scissors, Metzenbaum, curved left, single action, complete, 5 mm Ø, 430 mm WL	Lap 5.4
8394.016	Forceps, hook punch, Frangenheim, 5 mm Ø, 430 mm WL	Lap 4.9

Product #	Description	Page #
8394.0163	Forceps, hook punch, Frangenheim, complete, 5 mm Ø, 430 mm WL	Lap 4.9
8394.024	Scissors, Metzenbaum, curved left, 5 mm Ø, 430 mm WL	Lap 5.3
8394.0243	Scissors, Metzenbaum, curved left, complete, 5 mm Ø, 430 mm WL	Lap 5.3
8394.0248	Scissors, Metzenbaum, "Grip Line", 5 mm Ø, 430 mm WL	Lap 4.24
8394.025	Scissors, straight, double action, 5 mm Ø, 430 mm WL	Lap 5.4
8394.0253	Scissors, straight, double action, complete, 5 mm Ø, 430 mm WL	Lap 5.4
8394.034	Scissors, Metzenbaum, curved left, pack of 3 (8394.024), 5 mm Ø, 430 mm WL	Lap 5.3
8394.204	Forceps, grasping, 5 mm Ø, 430 mm WL	Lap 4.4
8394.2044	Forceps, grasping, complete, 5 mm Ø, 430 mm WL	Lap 4.4
8394.2045	Forceps, grasping, complete, 5 mm Ø, 430 mm WL	Lap 4.4
8394.205	Forceps, Maryland, 5 mm Ø, 430 mm WL	Lap 4.6
8394.2053	Forceps, Maryland, complete, 5 mm Ø, 430 mm WL	Lap 4.6
8394.2055	Forceps, Maryland, complete, 5 mm Ø, 430 mm WL	Lap 4.6
8394.206	Forceps, grasping, blunt, 5 mm Ø, 430 mm WL	Lap 4.4
8394.2063	Forceps, grasping, blunt, complete, 5 mm Ø, 430 mm WL	Lap 4.4
8394.264	Forceps, grasping, 5 mm Ø, 430 mm WL	Lap 4.7
8394.2644	Forceps, grasping, complete, 5 mm Ø, 430 mm WL	Lap 4.7

Product #	Description	Page #
8394.2645	Forceps, grasping, complete, 5 mm Ø, 430 mm WL	Lap 4.7
8394.265	Forceps, grasping, 5 mm Ø, 430 mm WL	Lap 4.5
8394.2654	Forceps, grasping, complete, 5 mm Ø, 430 mm WL	Lap 4.5
8394.2655	Forceps, grasping, complete, 5 mm Ø, 430 mm WL	Lap 4.5
8394.2659	Forceps, grasper, "Grip Line", 5 mm Ø, 430 mm WL	Lap 4.25
8394.266	Forceps, grasping, teeth, 5 mm Ø, 430 mm WL	Lap 4.5
8394.2664	Forceps, grasping, teeth, complete, 5 mm Ø, 430 mm WL	Lap 4.5
8394.2665	Forceps, grasping, teeth, complete, 5 mm Ø, 430 mm WL	Lap 4.5
8394.274	Forceps, grasping, 5 mm Ø, 430 mm WL	Lap 4.7
8394.2744	Forceps, grasping, complete, 5 mm Ø, 430 mm WL	Lap 4.7
8394.2745	Forceps, grasping, complete, 5 mm Ø, 430 mm WL	Lap 4.7
8394.292	Forceps, wave side, 5 mm Ø, 430 mm WL	Lap 4.8
8394.2922	Forceps, wave side, complete, 5 mm Ø, 430 mm WL	Lap 4.8
8394.2927	Forceps, Wave Side, "Grip Line", 5 mm Ø, 430 mm WL	Lap 4.26
8394.2937	Forceps, Wave Side, "Grip Line", 5 mm Ø, 430 mm WL	Lap 4.26
8394.325	Forceps, Babcock, 5 mm Ø, 430 mm WL	Lap 4.8
8394.3252	Forceps, Babcock, complete, 5 mm Ø, 430 mm WL	Lap 4.8
8394.404	Forceps, biopsy, spiked, 5 mm Ø, 430 mm WL	Lap 4.9
8394.4043	Forceps, biopsy, spiked, complete, 5 mm Ø, 430 mm WL	Lap 4.9

Product #	Description	Page #
8394.405	Forceps, biopsy, 5 mm Ø, 430 mm WL	Lap 4.9
8394.4053	Forceps, biopsy, complete, 5 mm Ø, 430 mm WL	Lap 4.9
8394.4628	Forceps, dolphin nose, "Grip Line", 5 mm Ø, 430 mm WL	Lap 4.24
8394.489	Forceps, retraction grasper, 5 mm Ø, 430 mm WL	Lap 4.8
8394.4892	Forceps, retraction grasper, complete, 5 mm Ø, 430 mm WL	Lap 4.8
8394.4897	Forceps, retraction, "Grip Line", 5 mm Ø, 430 mm WL	Lap 4.26
8394.4947	Forceps, bowel, "Grip Line", 5 mm Ø, 430 mm WL	Lap 4.26
8394.503	Needle holder, Sarbu, complete, 5 mm Ø, 430 mm WL	Lap 11.3
8394.506	Needle holder, Sarbu, 5 mm Ø, 430 mm WL	Lap 11.3
8394.511	Needle holder, curved, complete, 5 mm Ø, 430 mm WL	Lap 11.3
8394.514	Needle holder, curved, 5 mm Ø, 430 mm WL	Lap 11.3
8394.704	Forceps, bipolar, T-grasper, 5 mm Ø, 450 mm WL	Lap 6.3
		Lap 6.5
		Lap 6.7
		Lap 6.9
		Lap 6.10
8394.705	Forceps, bipolar Teflon tooth, 5 mm Ø, 450 mm WL	Lap 6.3
		Lap 6.5
		Lap 6.7
		Lap 6.9
		Lap 6.10
8394.714	Forceps, Kleppinger, 5 mm Ø, 450 mm WL	Lap 6.5
		Lap 6.3
		Lap 6.7
		Lap 6.9
		Lap 6.10
8394.724	Forceps, bipolar, tweezer, 5 mm Ø, 450 mm WL	Lap 6.3
		Lap 6.5

Product #	Description	Page #
		Lap 6.7
		Lap 6.9
		Lap 6.10
8394.725	Forceps, bipolar, Reich, paddle, 5 mm Ø, 450 mm WL	Lap 6.6
		Lap 6.8
		Lap 6.9
		Lap 6.4
		Lap 6.10
8394.726	Forceps, bipolar, micro, 5 mm Ø, 450 mm WL	Lap 6.4
		Lap 6.6
		Lap 6.8
		Lap 6.9
		Lap 6.10
8394.731	Forceps, bipolar, T-grasper, complete, 5 mm Ø, 450 mm WL	Lap 6.5
8394.732	Forceps, bipolar, Teflon tooth, complete, 5 mm Ø, 450 mm WL	Lap 6.5
8394.741	Forceps, Kleppinger, complete, 5 mm Ø, 450 mm WL	Lap 6.5
8394.761	Forceps, bipolar, complete, T-grasper, 5 mm Ø, 450 mm WL	Lap 6.3
8394.762	Forceps, bipolar Teflon tooth, complete, 5 mm Ø, 450 mm WL	Lap 6.3
8394.771	Forceps, Kleppinger, complete, 5 mm Ø, 450 mm WL	Lap 6.3
8394.781	Forceps, bipolar, tweezer, complete, 5 mm Ø, 450 mm WL	Lap 6.5
8394.793	Forceps, bipolar, mirco, complete, 5 mm Ø, 450 mm WL	Lap 6.6
8394.801	Forceps, bipolar, tweezer, 5 mm Ø, 450 mm WL	Lap 6.3
8394.803	Forceps, bipolar, Reich, paddle, complete, 5 mm Ø, 450 mm WL	Lap 6.6
8394.813	Forceps, bipolar, micro, complete, 5 mm Ø, 450 mm WL	Lap 6.4

Product #	Description	Page #
8394.823	Forceps, bipolar, Reich, complete, 5 mm Ø, 450 mm WL	Lap 6.4
8394.911	Sheath tube, insulated, 5 mm Ø, 430 mm WL	Lap 5.3
		Lap 4.5
		Lap 4.6
		Lap 4.7
		Lap 4.8
		Lap 4.9
		Lap 5.4
		Lap 4.4
8394.913	Sheath tube, extended insulation, 5 mm Ø, 430 mm WL	Lap 4.8
8394.923	Sliding sleeve, 5 mm Ø, 450 mm WL	Lap 6.3
		Lap 6.4
		Lap 6.5
		Lap 6.6
8394.924	Tube, outer, 5 mm Ø, 450 mm WL	Lap 6.3
		Lap 6.4
8394.925	Tube, outer, 5 mm Ø, 450 mm WL	Lap 6.5
		Lap 6.6
8395.005	Scissors, curved left, double action, 10 mm Ø, 310 mm WL	Lap 5.6
8395.0051	Scissors, curved left, double action, complete, 10 mm Ø, 310 mm WL	Lap 5.6
8395.204	Forceps, grasping, 2/3 pronged, 10 mm Ø, 310 mm WL	Lap 4.19
8395.2042	Forceps, grasping, 2/3 pronged, complete, 10 mm Ø, 310 mm WL	Lap 4.19
8395.2047	Forceps, 2/3 claw, "Grip Line", 10 mm Ø, 310 mm WL	Lap 4.28
8395.214	Forceps, Babcock, 10 mm Ø, 310 mm WL	Lap 4.19
8395.2142	Forceps, Babcock, complete, 10 mm Ø, 310 mm WL	Lap 4.19
8395.2147	Forceps, Babcock, "Grip Line", 10 mm Ø, 310 mm WL	Lap 4.28
8395.215	Forceps, intestine, 10 mm Ø, 310 mm WL	Lap 4.19

Product #	Description	Page #
8395.2152	Forceps, intestine, complete, 10 mm Ø, 310 mm WL	Lap 4.19
8395.224	Forceps, universal, 10 mm Ø, 310 mm WL	Lap 4.19
8395.2242	Forceps, universal, complete, 10 mm Ø, 310 mm WL	Lap 4.19
8395.225	Forceps, Maryland, 10 mm Ø, 310 mm WL	Lap 4.20
8395.2252	Forceps, Maryland, complete, 10 mm Ø, 310 mm WL	Lap 4.20
8395.226	Forceps, right angle, 10 mm Ø, 310 mm WL	Lap 4.20
		Lap 4.21
8395.2262	Forceps, right angle, complete, 10 mm Ø, 310 mm WL	Lap 4.21
		Lap 4.20
8395.234	Forceps, grasper, plate, 10 mm Ø, 310 mm WL	Lap 4.19
8395.2342	Forceps, grasper, plate, complete, 10 mm Ø, 310 mm WL	Lap 4.19
8395.235	Forceps, Debakey, 10 mm Ø, 310 mm WL	Lap 4.20
8395.2352	Forceps, Debakey, complete, 10 mm Ø, 310 mm WL	Lap 4.20
8395.236	Forceps, alligator, 10 mm Ø, 310 mm WL	Lap 4.20
8395.2362	Forceps, alligator, complete, 10 mm Ø, 310 mm WL	Lap 4.20
8395.244	Forceps, grasping, spoon shaped, 10 mm Ø, 310 mm WL	Lap 4.20
		Lap 4.21
8395.2442	Forceps, grasping, spoon shaped, complete, 10 mm Ø, 310 mm WL	Lap 4.20
		Lap 4.21
8395.2447	Forceps, spoon shape, "Grip Line", 10 mm Ø, 310 mm WL	Lap 4.28
8395.504	Forceps, grasping, manipulation, double action, 10 mm Ø, 310 mm WL	Lap 4.21

Product #	Description	Page #
8395.5042	Forceps, grasping, manipulation, double action, complete, 10 mm Ø, 310 mm WL	Lap 4.21
8395.521	Needle holder, straight, complete, 10 mm Ø, 310 mm WL	Lap 11.3
8395.524	Needle holder, straight, 10 mm Ø, 310 mm WL	Lap 11.3
8395.901	Sheath tube, uninsulated, 10 mm Ø, 310 mm WL	Lap 4.19
		Lap 4.20
		Lap 4.21
		Lap 5.6
8397.651 S01	Forceps, gastric band, complete, 10 mm Ø, 370 mm WL	Lap 4.21
8397.654 S01	Forceps, gastric band, 10 mm Ø, 370 mm WL	Lap 4.21
8397.655	Forceps, Anvil, 10 mm Ø, 370 mm WL	Lap 4.21
8397.6552	Forceps, Anvil, complete, 10 mm Ø, 370 mm WL	Lap 4.21
8397.901	Sheath tube, uninsulated, 10 mm Ø, 370 mm WL	Lap 4.21
8407.01	Electrode, coagulating, 22-28 Fr	Res 11.5
		Res 11.7
8407.131	Electrode, EVAP pyramid-shaped, 24-28 Fr	Res 11.6
		Res 11.8
8408.02	Electrode, coagulating ball, 22-28 Fr	Res 11.5
8408.02	Electrode, coagulating ball, 22-28 Fr, 25°/12°	Res 11.7
8409.03	Electrode, cutting, 22 Fr	Res 4.1
		Res 11.5
8409.04	Electrode, cutting, 0.4 mm, 22 Fr	Res 11.5
8410.02	Electrode, roller, large, coagulating, 22-24 Fr, 0°/5°	Res 11.5
		Res 11.7

Product #	Description	Page #
8410.031	Electrode, EVAP roller, barrel-shaped, 24-28 Fr, 0°/5°	Res 11.6
		Res 11.8
8410.04	Electrode, straight cutting, 22-28 Fr	Res 11.5
8411.03	Electrode, cutting, 24 Fr	Res 4.1
		Res 4.3
		Res 11.5
8411.04	Electrode, cutting, 0.4 mm, 24 Fr	Res 11.5
8411.151	Electrode, EVAP wing, 24 Fr	Res 11.6
8411.351	Electrode, cutting, 27 Fr	Res 6.3
8412.03	Electrode, cutting, 26 Fr	Res 4.3
8412.032	Electrode, cutting, 0.3 mm, 26 Fr, w/ guide fin	Res 4.1
		Res 11.5
8412.04	Electrode, cutting, 0.4 mm, 26-28 Fr, w/ guide fin	Res 11.5
8412.151	Electrode, EVAP wing, 26 Fr	Res 11.6
8412.351	Electrode, cutting, oval, 0.35 mm, 25.5 Fr, 0°/5°	Res 6.1
		Res 11.7
		Res 11.7
8412.451	Electrode, EVAP wing, 25.5 Fr, 0°/5°	Res 11.8
8413.02	Electrode, roller, large, coagulating, 26-28 Fr	Res 11.5
8415.01	Obturator, visual, beak tip, 22 Fr	Res 13.1
8415.02	Obturator, visual, beak tip, 24 Fr	Res 13.1
		Res 13.1
8415.03	Obturator, visual, beak tip, 26 Fr	Res 13.1
		Res 13.2
8415.11	Obturator, visual, oblique tip, 22 Fr	Res 13.1
		Res 13.1
8415.12	Obturator, visual, oblique tip, 24 Fr	Res 13.1
		Res 13.1
8415.13	Obturator, visual, beak tip, 26 Fr	Res 13.1
		Res 13.2
8416.01	Electrode, coagulating, pediatric	Ped 7.3
8416.03	Electrode, cutting loop, pediatric	Ped 7.3

Product #	Description	Page #
8416.09	Electrode, hook, pediatric	Ped 7.3
8416.994	Electrode, 180° curved coagulating, pediatric	Ped 7.3
8417.0105	Electrode, coagulating, 16 Fr, 0°	Res 11.9
8417.0905	Electrode, hook, 16 Fr, 0°	Res 11.9
8418.03	Electrode, cutting, 16 Fr	Res 8.1
8418.0310	Electrode, cutting loop, 0.35 mm, 16 Fr, 0°	Res 11.9
8420.09	Electrode, hook, 22-28 Fr	Res 11.5
		Res 11.7
8420.19	Electrode, Collins knife, 22-28 Fr	Res 11.5
8422.1310	Electrode, cutting, sterile, 10/box, 22 Fr	Res 3.1
		Res 3.3
		Res 11.3
8422.1510	Electrode, EVAP wing, sterile, 10/box, 22 Fr	Res 11.4
8422.3510	Electrode, cutting, sterile, 10/box, 22 Fr	Res 11.3
8422.4355	Electrode, smaller roller ball, sterile, 5/box, 22-24 Fr	Res 11.3
		Res 11.7
8423.0105	Electrode, coagulating, sterile, 5/box, 22-24 Fr	Res 11.3
		Res 11.7
8423.0205	Electrode, roller bar, coagulating, sterile, 5/box, 22-24 Fr	Res 11.3
		Res 11.7
8423.0235	Electrode, roller, large egg, sterile, 5/box, 22-24 Fr	Res 11.3
		Res 11.7
8423.0315	Electrode, EVAP roller, barrel-shaped, sterile, 5/box, 24-28 Fr	Res 11.4
		Res 11.8
8423.0405	Electrode, straight cutting, sterile, 5/box, 22-24 Fr	Res 11.3
8423.0905	Electrode, hook, sterile, 5/box, 22-24 Fr	Res 11.3
8423.0905	Electrode, hook, 22-24 Fr, 25°/12°	Res 11.7

Product #	Description	Page #
8423.1315	Electrode, EVAP pyramid-shaped, sterile, 5/box, 24-28 Fr	Res 11.4
		Res 11.8
8423.1905	Electrode, Collins knife, sterile, 5/box, 22-24 Fr	Res 11.3
8424.1310	Electrode, cutting loop, sterile, 10/box, 24 Fr	PCN 7.1
		Res 3.1
		Res 3.3
		Res 11.3
8424.1410	Electrode, cutting, sterile, 10/box, 24 Fr	Res 11.3
8424.1510	Electrode, EVAP wing, sterile, 10/box, 24 Fr	Res 11.4
8424.3510	Electrode, cutting, oval, 0.35 mm, sterile, 10/box, 27 Fr, 25°/12°	Res 5.3
		Res 11.7
8424.4510	Electrode, EVAP wing, 24 Fr, 25°/12°	Res 11.8
8426.1320	Electrode, cutting, sterile, 10/box, 26 Fr	Res 3.1
		Res 3.3
		Res 11.3
8426.1420	Electrode, cutting, sterile, 10/box, 26 Fr	Res 11.3
8426.1510	Electrode, EVAP wing, sterile, 10/box, 26 Fr	Res 11.4
8426.3510	Electrode, cutting, oval, 0.35 mm, sterile, 10/box, 25.5 Fr, 25°/12°	Res. 5.1
		Res 11.7
8426.4510	Electrode, EVAP wing, 25.5 Fr, 25°/12°	Res 11.8
8427.0125	Electrode, coagulating, sterile, 5/box, 26-28 Fr	Res 11.3
8427.0225	Electrode, roller bar, coagulating, sterile, 5/box, 26-28 Fr	Res 11.3
8427.0425	Electrode, straight cutting, sterile, 5/box, 26 Fr	Res 11.3
8427.0925	Electrode, hook, sterile, 5/box, 26-28 Fr	Res 11.3
8427.1925	Electrode, Collins knife, sterile, 5/box, 26-28 Fr	Res 11.3
8428.3510	Electrode, cutting, sterile, 10/box, 28 Fr	Res 11.3
8428.901	Sterilization tube	Ped 9.2

Product #	Description	Page #
8428.901	Sleeve, protective sterilization for electrodes or stricture scalpels	Tome 2.1
		Tome 3.2
		Res 11.2
8439.03	Electrode, cutting loop, 0.3 mm, long, 24 Fr	Res 9.1
		Res 11.11
8439.04	Electrode, cutting loop, 0.4 mm, 24 Fr	Res 11.11
8441.032	Electrode, cutting loop, 0.3 mm, long, 26 Fr	Res 9.1
		Res 11.11
845.11	Adaptor, Toomey syringes, B cone	Acc 5.2
846.31	Syringe, bladder, 75 ml	Acc 5.2
846.93	Barrel, spare	Acc 5.2
8517.00	Urethrotome, OTIS	Tome 4.1
8517.90	Knife, spare	Tome 4.1
8518.02	Cannula, aspiration	Res 17.1
8518.03	Guide sleeve, by Freiburg	Res 17.1
8518.04	Trocar sleeve, 16 Fr	Res 17.1
8518.07	Cannula, overflow, by Schmeller	Res 17.1
8518.11	Trocar, pyramid tip	Res 17.1
8518.12	Trocar, cannula tip	Res 17.1
8518.93	Disc, stabilization, lateral opening	Res 17.1
8536.01	Tube, suction, cold light illumination	Acc 3.1
8558.03	Evacuator, Elik	Acc 5.2
8558.14	Adaptor, evacuator, B cone	Acc 5.2
8558.24	Adaptor, evacuator, C cone	Acc 5.2
8558.83	Spare suction ball	Acc 5.2
8558.93	Evacuator bulb, spare	Acc 5.2
8577.00	Catheter introducer, Guyon's, 2.5 mm Ø	Acc 5.1
8585.011	Tray, laparoscopic, 25" x 11 1/8" x 8 1/8" (lxwxh)	Lap 4.24
		Lap 4.25
		Lap 4.26
		Lap 4.27
		Lap 4.28
		Lap 17.1
8585.015	Tray, dual ureteroscope, 29" x 9 1/8" x 3"	Ped 8.2
		URS 3.2
		URS 4.2
		URS 5.2
		URS 6.2

Product #	Description	Page #
		URS 7.2
		URS 8.2
		URS 9.2
8585.021	Tray, laparoscopic, 27" x 11" x 8" (lxwxh)	Lap 17.1
8585.023	Tray, universal, single level, 23"x11"x 3.5"	Cys 9.1
		PCN 11.1
		Ped 9.1
		Res 19.1
8585.025	Tray, universal, dual layer, 25" x 11" x 5" (lxwxh)	Lap 17.1
		Cys 9.1
		PCN 11.1
		Ped 9.1
		Res 19.1
8585.071	Tray, infant cysto / resection, 9"x 20.5"x 3.5"	Ped 9.2
8585.115	Tray, 3 in 1 storage, 31"x 5 1/2"x 2 3/4"	Cys 6.1
		Cys 9.2
		Ped 8.2
		URS 3.2
		URS 4.2
		URS 5.2
		URS 6.2
		URS 7.2
		URS 8.2
		URS 9.2
8585.484	Pin matt	Ped 9.2
8585.524	Bracket, key hole, 4 mm	Ped 9.2
8585.532	Bracket, key hole, 12 mm	Ped 9.2
8585.533	Bracket, key hole, 13 mm	Ped 9.2
8585.535	Bracket, key hole, 15 mm	Ped 9.2
8585.627	Bracket, pass thru, 7 mm	Ped 9.2
8585.911	Compartment tray	Ped 9.2
8586.18	Urethrotome, Bougie, 18 Fr	Tome 5.1
8586.21	Urethrotome, Bougie, 21 Fr	Tome 5.1
8586.24	Urethrotome, Bougie, 24 Fr	Tome 5.1
8586.27	Urethrotome, Bougie, 27 Fr	Tome 5.1
8586.30	Urethrotome, Bougie, 30 Fr	Tome 5.1
8586.36	Urethrotome, Bougie, 36 Fr	Tome 5.1
8586.90	Knife	Tome 5.1

Product #	Description	Page #
8590.08	Bougies, Dittel, metal, 8 Fr	Acc 4.1
8590.09	Bougies, Dittel, metal, 9 Fr	Acc 4.1
8590.10	Bougies, Dittel, metal, 10 Fr	Acc 4.1
8590.11	Bougies, Dittel, metal, 11 Fr	Acc 4.1
8590.12	Bougies, Dittel, metal, 12 Fr	Acc 4.1
8590.13	Bougies, Dittel, metal, 13 Fr	Acc 4.1
8590.14	Bougies, Dittel, metal, 14 Fr	Acc 4.1
8590.15	Bougies, Dittel, metal, 15 Fr	Acc 4.1
8590.16	Bougies, Dittel, metal, 16 Fr	Acc 4.1
8590.17	Bougies, Dittel, metal, 17 Fr	Acc 4.1
8590.18	Bougies, Dittel, metal, 18 Fr	Acc 4.1
8590.19	Bougies, Dittel, metal, 19 Fr	Acc 4.1
8590.20	Bougies, Dittel, metal, 20 Fr	Acc 4.1
8590.21	Bougies, Dittel, metal, 21 Fr	Acc 4.1
8590.22	Bougies, Dittel, metal, 22 Fr	Acc 4.1
8590.23	Bougies, Dittel, metal, 23 Fr	Acc 4.1
8590.24	Bougies, Dittel, metal, 24 Fr	Acc 4.1
8590.25	Bougies, Dittel, metal, 25 Fr	Acc 4.1
8590.26	Bougies, Dittel, metal, 26 Fr	Acc 4.1
8590.27	Bougies, Dittel, metal, 27 Fr	Acc 4.1
8590.28	Bougies, Dittel, metal, 28 Fr	Acc 4.1
8590.29	Bougies, Dittel, metal, 29 Fr	Acc 4.1
8590.30	Bougies, Dittel, metal, 30 Fr	Acc 4.1
8590.63	Bougies, stainless steel, 12-26 Fr	Acc 4.1
8591.90	Dilator, hollow, flexible, metal, 10 Fr	URS 18.1
8591.92	Dilator, hollow, flexible, metal, 12 Fr	URS 18.1
8591.94	Dilator, hollow, flexible, metal, 14 Fr	URS 18.1
8591.993	Guide wire, sterile, 3/set, 0.038" Ø	URS 18.1
8592.01	Dilator, orifice, 10-20 Fr	Acc 4.1
8592.02	Dilator, orifice, 15-30 Fr	Acc 4.1

Product #	Description	Page #
8595.09	Bougies à boule, 9-18 Fr	Acc 4.2
8595.19	Bougies à boule, 19-28 Fr	Acc 4.2
8595.29	Bougies à boule, 29-38 Fr	Acc 4.2
8596.01	Bougies à boule, OTIS, 8-22 Fr	Acc 4.2
8596.02	Bougies à boule, OTIS, 24-38 Fr	Acc 4.2
8596.99	Sterilization rack for Bougies à boule	Acc 4.2
8599.80	Electrode, button, flexible, coagulating, 5 Fr, 600 mm WL	Acc 11.1
		URS 17.1
8616.401	Cysto-urethroscope, integral, 1x5 Fr, 10.5 Fr, 160 mm WL	Ped 4.3
8616.411	Cysto-urethroscope, integral, 1x4 Fr, 6/7.5 Fr, 140 mm WL	Ped 4.2
8616.951	Cannula, injection, flexible, 4.5 Fr, 300 mm WL	Acc 11.1
		Ped 4.3
8625.091	Needle, Kaplan, 21 G, 340 mm WL	Ped 4.5
8625.092	Needle, Kaplan, 21 G, 410 mm WL	Ped 4.5
8625.093	Needle, Kaplan, 22 G, 340 mm WL	Ped 4.5
8625.094	Needle, Kaplan, 22 G, 410 mm WL	Ped 4.5
8625.315	Adapter, bridge for 8626.431	Ped 4.4
8626.431	Cysto-urethroscope, integral, 1x5 Fr, 9.5 Fr, 116 mm WL	Ped 4.4
8626.65	Forceps, Erlangen, semi-rigid, 5 Fr, 255 mm WL	Acc 9.2
		Ped 4.4
8632.024	Sheath, outer, CFC, 21 Fr	Las 3.1
8632.025	Sheath, inner, CFC, for 8632.024	Las 3.1
8632.111	Sheath, 24 Fr, 205 mm WL	Las 7.1
		Litho 7.1
8632.121	Obturator, 21 Fr, for 8632.024	Las 3.1
8632.281 S01	Bridge, stabilization, 7 Fr. cap.	Res 15.2
8632.411	Endoscope, operating, PANOVIEW PLUS, 20°, 225 mm WL	Las 7.1
		Litho 7.1

Product #	Description	Page #
8632.904	Catheter guide, lateral opening	Las 3.1
8640.16	Cannula, injection, 6 Fr, 525 mm WL	Acc 11.1
		Cys 5.2
8642.403	Cysto-urethroscope, compact, 14 Fr	Cys 5.1
		Las 6.1
8642.60	Forceps, biopsy, semi-rigid, 5 Fr, 340 mm WL	Acc 9.1
		Cys 5.2
8642.631	Forceps, punch, biopsy, semi-rigid, 5 Fr, 355 mm WL	Acc 9.1
8642.65	Forceps, foreign body, semi-rigid, 5 Fr, 340 mm WL	Acc 9.1
		Cys 5.2
8642.681	Scissors, semi-rigid, 5 Fr, 355 mm WL	Acc 9.3
8645.403	Cysto-urethroscope, compact, 17 Fr	Cys 5.1
		Las 6.1
8645.413	Cysto-urethroscope, compact, 21 Fr	Cys 5.1
8645.60	Forceps, biopsy, semi-rigid, 7 Fr, 325 mm WL	Acc 9.1
		Cys 5.2
8645.65	Forceps, foreign body, semi-rigid, 7 Fr, 325 mm WL	Acc 9.1
		Cys 5.2
8645.98	Scalpel, stricture, lancet blade, 7 Fr, 325 mm WL	Acc 12.1
		Cys 5.2
8650.014	Sheath, obturator, 16 Fr, 1x5	Cys 3.1
8650.024	Sheath, obturator, 17.5 Fr, 1x5, 2x4	Cys 3.1
		Cys 3.2
8650.034	Sheath, obturator, 19.5 Fr, 1x7, 2x5	Cys 3.1
		Cys 3.2
		Las 8.1
8650.044	Sheath, obturator, 21 Fr, 1x10, 2x6	Cys 3.1
		Cys 3.2
8650.054	Sheath, obturator, 23 Fr, 1x12, 2x7	Cys 3.1
		Cys 3.2
		Cys 3.5
8650.204	Insert, Albarran deflector, double channel	Res 15.2
		Cys 3.2

Product #	Description	Page #
8650.214	Insert, Albarran deflector, single channel	Res 15.2
		Cys 3.2
8650.254	Bridge, adapter, exam only	Cys 3.1
8650.264	Bridge, adapter, single channel	Cys 3.1
8650.27	Bridge, Albarran deflector, single port, 1x15 Fr	Cys 3.5
8650.284	Bridge, adapter double channel	Cys 3.1
8650.294	Bridge, single channel, 1 x 15 Fr.	Cys 3.5
8650.404	Endoscope, 4 mm Ø, 0°, enlarged image	Cys 3.1
		Cys 4.1
		Las 8.2
		PCN 8.1
		Tome 3.1
		Res 4.1
		Res 4.3
		Res 6.1
		Res 6.3
8650.405	Endoscope, 4 mm Ø, 70°, enlarged image	Cys 3.1
		Cys 3.2
		Cys 3.5
		Cys 4.2
		Las 8.1
		Litho 10.1
8650.409	Endoscope, 4 mm Ø, 110°, enlarged image	Cys 3.5
8650.441	Endoscope, 4.8 mm Ø, exam only, 5°	Cys 3.6
		Res 15.2
8650.445	Endoscope, 4.8 mm Ø, exam only, 70°	Res 15.2
		Cys 3.6
8650.604	Forceps, biopsy, optical, 19.5 Fr., for 12°/25° 4mm endoscopes	Cys 3.4
		Cys 4.4
		Res 15.1
8650.614	Forceps, biopsy, rigid, optical, Marburg, 19.5 Fr	Res 15.1
		Cys 3.3
		Cys 4.3
8650.624	Forceps, biopsy, rigid, optical, coagulating, Tauber, 21 Fr	Cys 3.4

Product #	Description	Page #
8650.624	(cont.)	Cys 4.3
		Res 15.1
8650.644	Scissors, rigid, optical, Wuppertal, 19.5 Fr	Res 15.1
		Cys 3.3
		Cys 4.3
8650.654	Forceps, foreign body, rigid, optical, 19.5 Fr	Res 15.1
		Cys 3.3
		Cys 4.3
8650.664	Forceps, stone, rigid, optical, 23 Fr	Cys 3.3
		Res 15.1
8650.674	Insert, laser cystoscope, 0-60° deflection	Las 8.1
8650.774	Forceps, biopsy, rigid, optical	Res 15.1
8650.684	Forceps, grasping, optical, for 12°/25° 4mm endoscopes, 19.5 Fr.	Cys 3.4
		Cys 4.4
		Res 15.1
8650.714	Obturator, viewing, 17.5 Fr	Cys 3.6
8650.724	Obturator, viewing, 19.5 Fr	Cys 3.6
8650.734	Obturator, viewing, 21 Fr	Cys 3.6
8650.744	Obturator, viewing, 23 Fr	Cys 3.6
8650.754	Insert, retro guiding, 21 Fr	Cys 3.5
		Cys 4.3
		Las 8.1
8650.774	Forceps, biopsy, rigid, optical, retrograde, 19.5 Fr	Cys 3.3
		Cys 4.3
		Las 8.2
8650.982	Filter attachment, ND: Yag	Las 8.1
		Las 9.1
8652.014	Sheath, obturator, 16 Fr, 1x5	Cys 4.1
8652.024	Sheath, obturator, 17.5 Fr, 1x5, 2x4	Cys 4.1
		Cys 4.2
8652.034	Sheath, obturator, 19.5 Fr, 1x7, 2x5	Cys 4.1
		Cys 4.2
8652.044	Sheath, obturator, 21 Fr, 1x10, 2x6	Cys 4.1
		Cys 4.2
		Cys 8.1
		Cys 8.2
		Las 5.1

Product #	Description	Page #
8652.204	Bridge, Albarran deflector, double channel	Cys 4.2
8652.214	Bridge, Albarran deflector, single channel	Cys 4.2
8652.254	Bridge, adapter, exam only	Cys 4.1
8652.264	Bridge, adapter, single channel	Cys 4.1
		Res 15.2
8652.284	Bridge, adapter double channel	Cys 4.1
8652.70	Spacer	Cys 4.3
		Cys 4.4
		Res 15.1
		Res 15.2
8652.771	Working element, aspiration/ injection	Cys 8.1
8652.775	Cannula, aspiration/ injection, reusable	Cys 8.1
8652.7765	Cannula, aspiration/ injection, sterile, box / 5, disposable	Cys 8.1
8654.014	Sheath, resectoscope, rotatable collar, beak tip, 22 Fr	Res 3.1
		Res 13.1
8654.024	Sheath, resectoscope, rotatable collar, beak tip, 24 Fr	Res 3.1
		Res 13.1
8654.034	Sheath, resectoscope, rotatable collar, beak tip, 26 Fr	Res 3.1
		Res 13.1
8654.064	Sheath, resectoscope, rotatable collar, oblique tip, 22 Fr	Res 3.1
		Res 4.1
		Res 13.1
8654.074	Sheath, resectoscope, rotatable collar, oblique tip, 24 Fr	Res 3.1
		Res 4.1
		Res 13.1
8654.084	Sheath, resectoscope, rotatable collar, oblique tip, 26 Fr	Res 3.1
		Res 4.1
		Res 13.1
8654.11	Obturator, standard, beak tip, 22 Fr	Res 13.1
8654.12	Obturator, standard, beak tip, 24 Fr	Res 13.1

Product #	Description	Page #
8654.12	(cont.)	Res 13.1
8654.13	Obturator, standard, beak tip, 26 Fr	Res 13.1
		Res 13.2
8654.16	Obturator, standard, oblique tip, 22 Fr	Res 4.1
		Res 13.1
		Res 13.1
8654.17	Obturator, standard, oblique tip, 24 Fr	Res 4.1
		Res 4.3
		Res 13.1
		Res 13.1
		Litho 7.1
8654.18	Obturator, standard, oblique tip, 26 Fr	Res 4.1
		Res 4.3
		Res 13.1
		Res 13.2
8654.204	Working element, active cutting action, 4 mm Ø, 12°-25°	Res 3.2
		Res 3.4
		Res 5.4
8654.214	Working element, Mc Carthy, manual cutting action, 4 mm Ø, 12°-25°	Res 3.2
		Res 3.4
		Res 5.4
8654.224	Working element, Iglesias, open handle, passive cutting action, 4 mm Ø, 12°-25°	Res 3.2
		Res 3.4
		Res 5.4
		PCN 7.1
8654.225	Working element, Iglesias, closed handle, passive cutting action, 4 mm Ø, 12°-25°	Res 3.2
		Res 3.4
		Res 5.4
8654.234	Working element, rotatable, active cutting action 4 mm Ø, 12°-25°	Res 3.2
		Res 3.4
		Res 5.4
8654.254	Working element, active cutting action, 4 mm Ø, 12°-25°	Res 3.2
		Res 3.4
		Res 5.4
8654.27	Curette, 22-24 Fr, 12°, 25°	Res 14.1
8654.281	Working element, dual purpose	Cys 8.2

Product #	Description	Page #
		Las 5.1
		Litho 4.4
8654.285	Working element, for lithotripsy of bladder stones	Litho 4.4
8654.29	Curette, 26-28 Fr, 12°, 25°	Res 14.1
8654.402	Endoscope, fixed eyepiece, enlarged image, 4 mm Ø, 25°	Res 3.1
		Res 3.3
		Res 5.1
		Res 5.3
		Cys 3.1
		Cys 3.2
		Cys 4.1
		Cys 4.2
		Cys 8.1
		Cys 8.2
		Las 3.1
		Las 5.1
		Las 8.1
		PCN 7.1
8654.411	Endoscope, 4 mm Ø, 12°, enlarged image	Cys 3.1
		Cys 4.1
		Las 3.1
		Las 5.1
		PCN 7.1
		PCN 8.1
		Tome 3.1
		Res 3.1
		Res 3.3
		Res 5.1
		Res 5.3
8654.61	Obturator, Timberlake, beak tip, 22 Fr	Res 3.1
		Res 13.1
8654.62	Obturator, Timberlake, beak tip, 24 Fr	Res 3.1
		Res. 3.3
		Res 13.1
		Res 13.1
8654.63	Obturator, Timberlake, beak tip, 26 Fr	Res 3.1
		Res 3.3
		Res 13.1
		Res 13.2
8654.66	Obturator, Timberlake, oblique tip, 22 Fr	Res 3.1
		Res 3.3
		Res 13.1
		Res 13.1

Product #	Description	Page #
8654.67	Obturator, Timberlake, oblique tip, 24 Fr	Res 3.1
		Res 3.3
		Res 13.1
		Res 13.1
		Las 7.1
		Litho 7.1
8654.68	Obturator, Timberlake, oblique tip, 26 Fr	Res 3.1
		Res 3.3
		Res 13.1
		Res 13.2
8654.90	Working element, punch lithotripsy, 0°-25°	Res 14.1
8654.911	Bridge, stabilization, 7 Fr. cap.	Res 15.2
8654.951	Cannula, injection, flexible, 4.5 Fr, 500 mm WL	Acc 11.1
		Las 5.1
8655.074	Sheath, outer CFR, beak tip, 27 Fr	Res 3.3
		Res 13.1
8655.084	Sheath, inner CFR, beak tip, 27 Fr	Res 3.3
		Res 13.1
8655.093	Sheath, outer CFR, beak tip, 28.9 Fr	Res 3.3
		Res 13.2
8655.094	Sheath, inner CFR, beak tip, 28.9 Fr	Res 3.3
		Res 13.2
8655.134	Sheath, outer CFR, oblique tip, 25.5 Fr	Res 3.3
		Res 13.1
8655.144	Sheath, inner CFR, oblique tip, 25.5 Fr	Res 3.3
		Res 13.1
8655.174	Sheath, outer CFR, oblique tip, 27 Fr	Res 3.3
		Res 4.3
		Res 13.1
8655.184	Sheath, inner CFR, oblique tip, 27 Fr	Res 3.3
		Res 4.3
		Res 13.1
8655.193	Sheath, outer CFR, oblique tip, 28.9 Fr	Res 3.3
		Res 4.3
		Res 13.2
8655.194	Sheath, inner CFR, oblique tip, 28.9 Fr	Res 3.3
		Res 4.3
		Res 13.2
8656.034	Sheath, outer CFR, beak tip, 24 Fr	Res 7.1
		Res 13.2

Product #	Description	Page #
8656.037	Sheath, inner CFR, beak tip, 24 Fr	Res 7.1
		Res 13.2
8656.074	Sheath, outer CFR, oblique tip, 24 Fr	Res 7.1
		Res 13.2
8656.077	Sheath, inner CFR, oblique tip, 24 Fr	Res 7.1
		Res 13.2
8656.13	Obturator, blunt, beak tip, 24 Fr	Res 7.1
		Res 13.2
8656.17	Obturator, blunt, oblique tip, 24 Fr	Res 7.1
		Res 13.2
8656.204	Working element, active cutting action, for 3.3 mm Ø, 25°	Res 7.2
8656.225	Working element, passive cutting action, for 3.3 mm Ø, 25°	Res 7.2
8656.411	Endoscope, enlarged image, 3.3 mm Ø, 25°	Res 7.1
		Cys 7.1
8656.8010	Electrode, cutting loop, 0.35 mm, 21.5 Fr, 25°	Res 7.1
		Res 11.9
8656.8025	Electrode, coagulating ball, 21.5 Fr, 25°	Res 11.9
8656.8035	Electrode, Collins knife, 21.5 Fr, 25°	Res 11.9
8656.8050	Electrode, wing, 21.5 Fr	Res 11.10
8656.8515	Electrode, pyramid-shaped, 21.5 Fr	Res 11.10
8657.054	Sheath, resectoscope, central two-way tap, oval, oblique tip, 25.5 Fr	Res 5.1
		Res 6.1
8657.151	Obturator, visual, oval, oblique tip, 25.5 Fr	Res 13.2
8657.204	Working element, active cutting action, 4 mm Ø, 12°-25°	Res 5.2
8657.225	Working element, passive cutting action, for 4 mm Ø, 12°-25°	Res 5.2
8658.02	Lithotrite, cystoscopic, 25.5 Fr	Litho10.1

Product #	Description	Page #
8658.054	Sheath, resectoscope, rotatable collar, oval, oblique tip, 25.5 Fr	Res 5.1
		Res 6.1
		Res 13.2
8658.074	Sheath, outer CFR, oval, oblique tip, 27 Fr	Res 5.3
		Res 6.3
		Res 13.2
8658.084	Sheath, inner CFR, oval, oblique tip, 27 Fr	Res 5.3
		Res 6.3
		Res 13.2
8658.151	Obturator, standard, oval, oblique tip, 25.5 Fr	Res 5.1
		Res 6.1
		Res 13.2
8658.174	Obturator, standard, oval, oblique tip, 24 Fr	Res 6.3
		Res 13.2
8658.184	Obturator, visual, oval, oblique tip, 24 Fr	Res 13.2
8658.194	Obturator, Timberlake, oval, oblique tip, 24 Fr	Res 5.3
		Res 13.2
8658.204	Working element, active cutting action, 4 mm Ø, 0°-5°	Res 6.2
8658.225	Working element, passive cutting action, 4 mm Ø, 0°-5°	Res 6.2
8660.014	Sheath, obturator, 14.5 Fr, 1x5	Cys 7.1
8660.024	Sheath, obturator, 16 Fr, 1x5, 2x4	Cys 7.1
		Cys 7.1
8660.034	Sheath, obturator, 17.5 Fr, 1x7, 2x5	Cys 7.1
		Cys 7.1
8660.224	Bridge, Albarran deflector, double channel	Cys 7.1
8660.264	Bridge, single port	Cys 7.1
8660.411	Endoscope, 3.3 mm Ø, 0°, enlarged image	Cys 7.1
		Tome 2.1
		Res 8.1
8660.412	Endoscope, 3.3 mm Ø, 70°, enlarged image	Cys 7.1

Product #	Description	Page #
8660.604	Forceps, biopsy, rigid, optical, 17.5 Fr	Cys 7.2
8660.654	Forceps, foreign body, rigid, optical, 17.5 Fr	Cys 7.2
8661.024	Sheath, resectoscope, fixed post, beak tip, 24 Fr	Res 3.1
		Res 13.1
8661.034	Sheath, resectoscope, fixed post, beak tip, 26 Fr	Res 3.1
		Res 13.1
8661.074	Sheath, resectoscope, fixed post, oblique tip, 24 Fr	Res 3.1
		Res 4.1
		Res 13.1
8661.084	Sheath, resectoscope, fixed post, oblique tip, 26 Fr	Res 3.1
		Res 4.1
		Res 13.1
8661.204	Working element, active cutting action, for 4 mm Ø, 0° scope	Res 4.2
		Res 4.4
		Res 6.4
8661.225	Working element, passive cutting action, for 4 mm Ø, 0° scope	Res 4.2
		Res 4.4
		Res 6.4
8663.024	Sheath, resectoscope, central two-way tap, beak tip, 24 Fr	Res 3.1
		Res 13.1
8663.034	Sheath, resectoscope, beak tip, central two-way tap, 26 Fr	Res 3.1
		Res 13.1
8663.064	Sheath, resectoscope, central two-way tap, oblique tip, 22 Fr	Res 3.1
		Res 4.1
		Res 13.1
8663.074	Sheath, resectoscope, central two-way tap, oblique tip, 24 Fr	Res 3.1
		Res 4.1
		Res 13.1

Product #	Description	Page #
8663.084	Sheath, resectoscope, central two-way tap, oblique tip, 26 Fr	Res 3.1
		Res 4.1
		Res 13.1
8663.91	Collector, exchangeable solids, 3 mm	Res 16.1
8666.024	Sheath, resectoscope, rotatable collar, 16 Fr	Res 8.1
		Res 13.2
8666.204	Working element, active cutting action, for 3.3 mm Ø, 0°	Res 8.2
8666.225	Working element, passive cutting action, for 3.3 mm Ø, 0°	Res 8.2
8666.28	Scalpel, stricture, 16 Fr	Res 8.1
8667.011	Sheath, urethrotome, 20.5 Fr	Tome 3.1
8667.111	Obturator, hollow, 20.5 Fr	Tome 3.1
8667.161	Guide tube, lateral opening	Tome 3.1
8667.852	Scalpel, stricture, hollow, flexible, 20 mm WL	PCN 8.2
8667.856	Scalpel, stricture, hollow, flexible, 60 mm WL	PCN 8.2
8667.911	Working element, urethrotome	PCN 8.1
		Tome 3.1
8667.93	Scalpel, stricture, solid, sickle-shaped, rigid	PCN 8.2
		Tome 3.2
8667.94	Scalpel, stricture, solid, hook-shaped, rigid	PCN 8.2
		Tome 3.2
8667.95	Scalpel, stricture, solid, serrated blade, rigid	PCN 8.2
		Tome 3.2
8667.955	Scalpel, stricture, hollow, serrated blade, rigid	PCN 8.2
		Tome 3.2
8667.96	Scalpel, stricture, solid, half-moon, rigid	PCN 8.2
		Tome 3.2

Product #	Description	Page #
8667.961	Scalpel, stricture, solid, half-moon, ceramic tip	Tome 3.2
8667.965	Scalpel, stricture, hollow, half-moon, rigid	PCN 8.2
		Tome 3.2
8667.966	Scalpel, stricture, hollow, half-moon, ceramic tip	Tome 3.2
8667.971	Scalpel, stricture, hollow, shark-fin, ceramic tip	Tome 3.2
8667.98	Scalpel, stricture, solid, lancet-shaped, rigid	PCN 8.2
		Tome 3.2
8667.981	Scalpel, stricture, solid, lancet, ceramic tip	Tome 3.2
8668.024	Sheath, resectoscope, rotatable collar, long, 24 Fr	Res 9.1
		Res 13.2
8668.034	Sheath, resectoscope, rotatable collar, long, 26 Fr	Res 9.1
		Res 13.2
8668.12	Obturator, blunt, beak tip, 24 Fr	Res 9.1
		Res 13.2
8668.13	Obturator, blunt, beak tip, 26 Fr	Res 9.1
		Res 13.2
8668.204	Working element, active cutting action, for long 4 mm Ø, 25°	Res 9.2
8668.225	Working element, passive cutting action, for long 4 mm Ø, 25°	Res 9.2
8668.433	Endoscope, fixed eyepiece, standard image, 4 mm Ø, 25°	Res 9.1
8670.011	Sheath, urethrotome, 16.5 Fr.	Tome 2.1
8670.061	Sheath, outer for continuous flow, urethrotome, 19.5 Fr.	Tome 2.1
8670.111	Obturator, hollow, 16.5 Fr	Tome 2.1
8670.161	Guide tube, lateral opening	Tome 2.1
8670.911	Working element, for stricture scapels	Tome 2.1

Product #	Description	Page #
8670.961	Scalpel, stricture, solid, half-moon, ceramic tip	Tome 2.2
8670.965	Scalpel, stricture, hollow, half-moon, ceramic tip	Tome 2.2
8670.981	Scalpel, stricture, hollow, lancet, ceramic tip	Tome 2.2
8672.01	Sheath, obturator, exam only, 11 Fr	Ped 3.1
8672.02	Sheath, obturator, instrument port, 1x4, 12 Fr	Ped 3.1
8672.03	Sheath, obturator, 2 instrument ports, 1x5 or 2x4, 13 Fr	Ped 3.1
8672.04	Sheath, obturator, 1x5 or 2x4, 14 Fr	Ped 3.2
8672.21	Albarran deflector, single channel	Ped 3.2
8672.22	Albarran deflector, double channel	Ped 3.2
8672.26	Adapter, single channel	Ped 3.2
8672.411	Endoscope, 2.7 mm Ø, 0°, enlarged image	Ped 3.1
		Ped 3.2
		Ped 7.1
8672.412	Endoscope, 2.7 mm Ø, 25°, enlarged image	Ped 3.1
		Ped 3.2
8672.413	Endoscope, 2.7 mm Ø, 70°, enlarged image	Ped 3.1
		Ped 3.2
8672.60	Forceps, rigid, biopsy, optical	Ped 3.3
8672.65	Forceps, rigid, foreign body, optical	Ped 3.3
8672.82	Sheath, obturator, instrument port, 1x4, 12 Fr	Ped 3.1
8675.28	Scalpel, stricture, half-moon blade, pediatric	Ped 7.3
8677.012	Sheath, obturator, 11.5 Fr	Ped 7.1
8677.222	Working element, passive cutting action	Ped 7.1
		URS 10.2
8677.26	Adaptor, single channel, 3 Fr insert cap	Ped 7.1
		URS 10.1
		URS 10.2

Product #	Description	Page #
8677.93	Scalpel, stricture, sickle shaped, pediatric	Ped 7.3
8677.94	Scalpel, stricture, Erlangen, hook-shaped, pediatric	Ped 7.3
8686.01	Sheath, obturator, exam only, 7.5 Fr	Ped 3.4
8686.02	Sheath, obturator, 1x3, 8.5 Fr	Ped 3.4
8686.03	Sheath, obturator, 1x4, 9.5 Fr,	Ped 3.4
8686.411	Endoscope, 1.9 mm Ø, 0°, enlarged image	Ped 3.4
		Ped 6.1
		Ped 7.2
8686.412	Endoscope, 1.9 mm Ø, 25°, enlarged image	Ped 3.4
8688.01	Sheath, obturator, 9 Fr	Ped 7.2
8688.222	Working element, passive cutting action	Ped 7.2
8688.26	Adapter, single channel	Ped 6.1
		Ped 7.2
8688.91	Electrode, coagulating, infant	Ped 7.3
8688.93	Electrode, cutting loop, infant	Ped 7.3
8688.94	Scalpel, stricture, Erlangen, hook-shaped, infant	Ped 6.1
		Ped 7.3
8688.95	Electrode, hook, infant	Ped 7.3
8688.98	Scalpel, stricture, lancet blade, infant	Ped 6.1
		Ped 7.3
8688.994	Electrode, 180° curved coagulating, pediatric	Ped 7.3
8693.01	Sheath, obturator, 8.5 Fr	Ped 6.1
8693.91	Working element, urethrotome	Ped 6.1
8693.93	Scalpel, stricture, sickle shaped, infant	Ped 6.1
		Ped 7.3
8693.96	Scalpel, stricture, half-moon blade, infant	Ped 6.1
		Ped 7.3
8702.261	Handle, for semi-rigid ureteroscopes	URS 3.1

Product #	Description	Page #
8702.261(cont)		URS 3.2
8702.517	Uretero-roscope, 6/7.5 Fr, 330 mm WL	URS 3.1
8702.523	Uretero-roscope, Marberger, 6/7.5 Fr, 315 mm WL	URS 7.1
8702.524	Uretero-roscope, Marberger, 6/7.5 Fr, 430 mm WL	URS 7.1
8702.533	Uretero-roscope, Bichler, 6/7.5 Fr, 315 mm WL	URS 6.1
8702.534	Uretero-roscope, Bichler, 6/7.5 Fr, 430 mm WL	URS 6.1
8703.517	Uretero-roscope, 8/9.8 Fr, 330 mm WL	URS 3.1
8703.518	Uretero-roscope, 8/9.8 Fr, 430 mm WL	URS 3.1
8703.523	Uretero-roscope, Marberger, 8/9.8 Fr, 315 mm WL	URS 7.1
8703.524	Uretero-roscope, Marberger, 8/9.8 Fr, 430 mm WL	URS 7.1
8703.533	Uretero-roscope, Bichler, 8/9.8 Fr, 315 mm WL	URS 6.1
8703.534	Uretero-roscope, Bichler, 8/9.8 Fr, 430 mm WL	URS 6.1
8704.401	Uretero-roscope, Marberger, 8.5/11.5 Fr, 310 mm WL	URS 5.1
8706.042	Sheath, ureteral access, 14 Fr	URS 4.1
8706.402	Uretero-roscope, Gautier, 7.5/9.5 Fr, 415 mm WL	URS 4.1
8708.401	Uretero-roscope, Marberger, 7/8.5 Fr, 425 mm WL	URS 8.1
8708.517	Ureteroscopy, Dual Channel, 6.5/8.5 Fr., 330 mm WL	URS 3.2
8708.518	Ureteroscopy, Dual Channel, 6.5/8.5 Fr., 430 mm WL	URS 3.2

Product #	Description	Page #
8708.533	Ureteroscopy, Dual Channel, 45° offset, 6.5/8.5 Fr., 330 mm WL	URS 3.2
8708.534	Ureteroscopy, Dual Channel, 45° offset, 6.5/8.5 Fr., 430 mm WL	URS 3.2
8709.401	Uretero-roscope, Bichler, dual channel, 8/9.8 Fr, 310 mm WL	URS 9.1
8709.421	Uretero-roscope, Bichler, dual channel, 8/9.8 Fr, 425 mm WL	URS 9.1
8702.518	Uretero-roscope, 6/7.5 Fr, 430 mm WL	URS 3.1
8714.401	Uretero-roscope, Marberger, 8.5/11.5 Fr, 425 mm WL	URS 5.1
8718.401	Uretero-roscope, Marberger, 7/8.5 Fr, 310 mm WL	URS 8.1
872.00	Clamp, penile, Strauss	Acc 5.1
872.01	Clamp, penile, Stockmann	Acc 5.1
8720.401	Ureteroscopy, Pan-Endo, 2.2/2.7 mm, 0°	URS 10.1
		URS 10.2
8721.701	Adapter, single channel, 3 mm luer adapter	Ped 8.1
8724.021	Sheath, 11.5 Fr, insulated, distal end	URS 10.2
8724.911	Electrode, coagulating	URS 10.2
8724.921	Electrode, hook	URS 10.2
8724.931	Electrode, cutting loop	URS 10.2
8724.981	Scalpel, stricture, hook shaped	URS 10.2
8725.021	Sheath, 9/11.5 Fr	URS 10.1
8725.951	Scalpel, stricture, half moon shaped	URS 10.1
8725.952	Scalpel, stricture, hook shaped	URS 10.1
8734.606	Forceps, biopsy, flexible, 4/3 Fr, 600 mm WL	Acc 10.1
		URS 14.2
		Lap 2.9
8734.608	Forceps, biopsy, flexible, 4/3 Fr, 800 mm WL	Acc 10.1
		URS 12.2
		URS 14.2
		Lap 2.9

Product #	Description	Page #
8734.656	Forceps, grasping, flexible, 4 Fr, 600 mm WL	Lap 2.9
		Acc 10.2
		URS 14.2
8734.658	Forceps, grasping, flexible, 4 Fr, 850 mm WL	Acc 10.2
		Lap 2.9
		URS 12.2
		URS 14.2
8734.686	Forceps, grasping, mouse tooth, flexible, 4 Fr, 600 mm WL	Lap 2.9
		Acc 10.2
		URS 14.2
8734.688	Forceps, foreign body, mouse-tooth, flexible, 4 Fr, 850 mm WL	Lap 2.9
		Acc 10.2
		URS 12.2
		URS 14.2
8736.685	Forceps, flexible, mouse tooth grasping, 6.5 Fr, 550 mm WL	Lap 2.9
		Acc 10.2
		Cys 6.1
		Las 9.1
		PCN 6.1
		URS 14.2
8741.80	Electrode, coagulation, 3 Fr, 920 mm WL	Acc 11.1
		URS 12.2
		URS 17.1
8751.901	Adapter, Sharplan/Surgilase	Lap 13.2
8751.902	Adapter, Xanar	Lap 13.2
8751.904	Adapter, Coherent	Lap 13.2
8751.905	Adapter, Cooper	Lap 13.2
8751.913	Adapter, Lasersonics	Lap 13.2
8751.DR	Coupling device, direct	Lap 13.1
8754.201	Verres Cannula Kit, 2.3 mm Ø, 250mm WL	Lap 2.1
8754.202	Verres Cannula Kit, 2.3 mm Ø, 140 mm WL	Lap 2.1
8754.211	Verres needle, 2.3 mm Ø, 250 mm WL	Lap 2.1
8754.212	Verres needle, 2.3 mm Ø, 140 mm WL	Lap 2.1

Product #	Description	Page #
8754.221	Verres outer sheath, 2.3 mm Ø, 250 mm WL	Lap 2.1
8754.222	Verres outer sheath, 2.3 mm Ø, 140 mm WL	Lap 2.1
8754.401	Laparoscope, 0°, 2 mm Ø, 270 mm WL	Lap 2.1
8754.451	Laparoscope, 0°, 2 mm Ø, 159 mm WL	Lap 2.1
8756.001	Scissors, straight, dual action blade, 2 mm Ø, 240 mm WL	Lap 5.1
8756.001	Scissors, straight, 2 mm Ø, 240 mm WL	Lap 4.1a
8756.011	Forceps, biopsy punch, 2 mm Ø, 240 mm WL	Lap 4.1a
8756.012	Forceps, biopsy punch, sharp tip, 2 mm Ø, 240 mm WL	Lap 4.1a
8756.101	Forceps, dissector, straight, 2 mm Ø, 240 mm WL	Lap 4.1a
8756.111	Forceps, atraumatic, grasping, 2 mm Ø, 240 mm WL	Lap 4.1a
8756.121	Forceps, universal, grasping, 2 mm Ø, 240 mm WL	Lap 4.1a
880.00	Adapter, conical, irrigation, 3 mm, female	Acc 6.1
880.01	Adapter, conical, irrigation, 4 mm, female	Acc 6.1
88.005RE	Sealing cap, red, up to 1 mm, 12/pkg	Lap 3.21
88.00RE	Sealing cap, red, no hole, 12/pkg	Lap 3.21
88.01RE	Sealing caps, red, 1-2 mm, 12/pkg	Lap 3.1
		Lap 3.21
88.02BL	Sealing cap, blue, 2-3 mm, 12/pkg	Lap 11.1
		Lap 3.21
88.03BK	Sealing cap, black, 3-4 mm, 12/pkg	Lap 3.21
		Lap 6.1
		Lap 6.2
		Lap 6.3
		Lap 6.4
		Lap 6.5
		Lap 6.6
88.04GR	Sealing cap, green, 4-5 mm, 12/pkg	Lap 3.21

Product #	Description	Page #
88.04GR (cont)		Lap 6.9
883.00	Two-way tap, 3 mm, male	Res 16.1
		Acc 6.1
883.01	Two-way tap, 4 mm, male	Acc 6.1
		Res 16.1
883.12	Two-way tap, 3 mm, male	Acc 6.1
884.00	Stopcock, Luer lock, 3 mm, male	Res 16.1
		Acc 6.1
884.01	Stopcock, Luer lock, 4 mm, male	Acc 6.1
		Res 16.1
8852.90	Proximal end-cap	Lap 8.8
886.00	Connector, luer lock, 3 mm, male	Acc 6.1
886.01	Connector, luer lock, 4 mm, male	Acc 6.1
886.231	Adapter, tube set, universal	Lap 16.2
		Lap 16.3
887.00	Luer locking cap, 3 mm	Lap 3.1
		Lap 6.1
		Lap 6.2
		Lap 6.3
		Lap 6.4
		Lap 6.5
		Lap 6.6
		Lap 9.1
		Lap 11.1
		Lap 11.3
889.01	Tubing connector	Res 16.1
889.02	Tubing, kink-free, 300 mm WL	Res 16.1
89.00BK	Sealing cap, black, 2 mm, 12/pkg	Lap 3.21
89.01RE	Sealing caps, red, 3 mm, 12/pkg	Lap 3.1
		Lap 3.2
		Lap 8.8
		Lap 3.21
		Lap 3.23
89.02BL	Sealing cap, blue, 3-4 mm, 12/pkg	Lap 2.6
		Lap 2.7
		Lap 3.3
		Lap 3.4
		Lap 3.5
		Lap 3.6
		Lap 3.7
		Lap 3.9
		Lap 3.13
		Lap 3.22
		Lap 3.20
		Lap 3.21
		Lap 3.23
		Lap 6.7

Product #	Description	Page #
		Lap 6.8
		Lap 10.1
		Lap 11.2
		PCN 4.2
		PCN 4.2
89.03GY	Sealing cap, grey, 5-6 mm, 12/pkg	Lap 3.21
89.04BR	Sealing cap, brown, 6-7 mm, 12/pkg	Lap 3.21
89.05YE	Sealing cap, yellow, 7-8 mm, 12/pkg	Lap 3.8
		Lap 2.8
		Lap 3.21
89.06GR	Sealing cap, green, 8-9 mm, 12/pkg	Lap 3.21
89.07BK	Sealing cap, black, 9-9.5 mm, 12/pkg	Lap 3.21
89.08RE	Sealing cap, red, 9.5-10 mm, 12/pkg	Lap 3.9
		Lap 3.10
		Lap 3.13
		Lap 3.14
		Lap 3.22
		Lap 3.20
		Lap 3.21
		Lap 3.23
89.09BL	Sealing cap, blue, 10-12 mm, 12/pkg	Lap 3.13
		Lap 3.14
		Lap 3.21
		Lap 3.23
89.10RE	Sealing cap, red, 13-14 mm, 12/pkg	Lap 3.21
891.00	Connector, luer lock, 3 mm, female	Acc 6.1
891.01	Connector, luer lock, 4 mm, female	Acc 6.1
89.102	Membranes, self sealing, 5/pkg	PCN 4.2
		PCN 4.2
89.171 BR	Sealing cap, brown, 6-7 mm, 12/pkg	Lap 3.7
		Lap 3.21
		Lap 3.23
89.20RE	Sealing cap, 15 mm, red, no hole, 12/pkg	Lap 3.21
89.21RE	Sealing cap, red, 17 mm, no hole, 12/pkg	Lap 3.21
893.04	Introducer, Henning's 4 Fr	Acc 5.1
89.90RE	Sealing cap, self sealing, red, 3.4-4.5 mm, 12/pkg	Lap 3.21
8903.014	Trocar sleeve, metal, RIWO-ART, 3.5 mm Ø, 100 mm WL	Lap 3.2

Product #	Description	Page #
8903.034	Trocar sleeve, plastic, RIWO-ART, 3.5 mm Ø, 100 mm WL	Lap 3.2
8903.072	Trocar sleeve, plastic, RIWO-ART, 3.5 mm Ø, 60 mm WL	Lap 3.2
8903.101	Trocar, blunt, conical tip, 3.5 mm Ø, 60 mm WL	Lap 3.2
8903.103	Trocar, blunt, conical tip, 3.5 mm Ø, 100 mm WL	Lap 3.2
		Lap 3.2
8903.121	Trocar, pyramidal tip, 3.5 mm Ø, 60 mm WL	Lap 3.2
8903.123	Trocar, pyramidal tip, 3.5 mm Ø, 100 mm WL	Lap 3.2
		Lap 3.2
8911.311	Instrument sealing port, detachable	Lap 2.6
		Lap 2.7
8911.316	Instrument port, detachable	Lap 2.6
		Lap 2.7
8912.402	Laparoscope, 0°, 90° eyepiece, 10 mm Ø, 265 mm WL	Lap 2.7
8914.315	Instrument port, detachable	Lap 2.8
8914.402	Laparoscope, 0°, 90° eyepiece, 12.5 mm Ø, 267 mm WL	Lap 2.8
8915.402	Laparoscope, 0°, 45° eyepiece, 10 mm Ø, 267 mm WL	Lap 2.6
8920.001	Trocar sleeve, plastic, 5.5 mm Ø, 55 mm WL	Lap 3.4
8920.003	Trocar sleeve, plastic, 5.5 mm Ø, 95 mm WL	Lap 3.4
8920.011	Trocar, conical tip, 5.5 mm Ø, 55 mm WL	Lap 3.4
8920.013	Trocar, conical tip, 5.5 mm Ø, 95 mm WL	Lap 3.4

Product #	Description	Page #
8920.021	Trocar, pyramidal tip, 5.5 mm Ø, 55 mm WL	Lap 3.4
8920.023	Trocar, pyramidal tip, 5.5 mm Ø, 95 mm WL	Lap 3.4
8920.911	Membrane valves, 10/pkg	Lap 2.6
		Lap 2.7
		Lap 3.4
		Lap 3.22
		Lap 8.2
		Lap 8.4
8921.013	Trocar sleeve, metal, RIWO-ART, 5.5 mm Ø, 100 mm WL, port	Lap 3.3
8921.014	Trocar sleeve, metal, RIWO-ART, 5.5 mm Ø, 100 mm WL, port	Lap 3.3
8921.023	Trocar sleeve, metal, port, RIWO-ART, 5.5 mm Ø, 100 mm WL	Lap 3.3
8921.024	Trocar sleeve, metal, RIWO-ART, 5.5 mm Ø, 100 mm WL	Lap 3.3
8921.034	Trocar sleeve, plastic, RIWO-ART, 5.5 mm Ø, 100 mm WL, port	Lap 3.3
8921.051	Trocar sleeve, metal, RIWO-ART, 5.5 mm Ø, 60 mm WL, w/o port	Lap 3.3
8921.052	Trocar sleeve, metal, RIWO-ART, 5.5 mm Ø, 60 mm WL, w/o port	Lap 3.3
8921.061	Trocar sleeve, metal, RIWO-ART, 5.5 mm Ø, 60 mm WL, w/o port	Lap 3.3
8921.062	Trocar sleeve, metal, RIWO-ART, 5.5 mm Ø, 60 mm WL	Lap 3.3
8921.072	Trocar sleeve, plastic, RIWO-ART, 5.5 mm Ø, 60 mm WL, w/o port	Lap 3.3
8921.101	Trocar, blunt, conical tip, 5.5 mm Ø, 60 mm WL	Lap 3.3
8921.103	Trocar, blunt, conical tip, 5.5 mm Ø, 100 mm WL	Lap 3.3

Product #	Description	Page #
8921.111	Trocar, conical tip, 5.5 mm Ø, 60 mm WL	Lap 3.3
8921.113	Trocar, conical tip, 5.5 mm Ø, 100 mm WL	Lap 3.3
8921.121	Trocar, pyramidal tip, 5.5 mm Ø, 60 mm WL	Lap 3.3
8921.123	Trocar, pyramidal tip, 5.5 mm Ø, 100 mm WL	Lap 3.3
8921.131	Trocar, Trotec, complete, 5.5 mm Ø, 100 mm WL	Lap 3.15
8921.132	Trocar, Trotec, conical, 5.5 mm Ø, 100 mm WL	Lap 3.15
8921.133	Trocar, Trotec, complete, 5.5 mm Ø, 100 mm WL	Lap 3.15
8921.134	Trocar, Trotec, pyramidal, 5.5 mm Ø, 100 mm WL	Lap 3.15
8921.901	Ball, RIWO-ART, 3.5 mm Ø	Lap 3.2
		Lap 3.3
		Lap 3.23
8921.951	O-Rings, RIWO-ART, 3.5 mm Ø	Lap 3.2
		Lap 3.3
		Lap 3.23
8922.013	Trocar sleeve, metal, port, RIWO-ART, 7 mm Ø, 100 mm WL	Lap 3.7
8922.014	Trocar sleeve, metal, RIWO-ART, 7 mm Ø, 100 mm WL	Lap 3.7
8922.016	Trocar sleeve, metal, RIWO-ART, 7 mm Ø, 150 mm WL	Lap 3.7
8922.103	Trocar, blunt, conical tip, 7 mm Ø, 100 mm WL	Lap 3.7
8922.113	Trocar, conical tip, 7 mm Ø, 100 mm WL	Lap 3.7
8922.115	Trocar, conical tip, 7 mm Ø, 150 mm WL	Lap 3.7
8922.123	Trocar, pyramidal tip, 7 mm Ø, 100 mm WL	Lap 3.7
8922.125	Trocar, pyramidal tip, 7 mm Ø, 150 mm WL	Lap 3.7

Product #	Description	Page #
8923.013	Trocar sleeve, RIWO-ART, 10 mm Ø, 100 mm WL	Lap 3.11
		Lap 3.16
		Lap 3.9
8923.014	Trocar sleeve, RIWO-ART, 10 mm Ø, 100 mm WL	Lap 3.11
		Lap 14.2
		Lap 3.9
8923.016	Trocar sleeve, RIWO-ART, 10 mm Ø, 150 mm WL	Lap 3.11
		Lap 3.9
8923.023	Trocar sleeve, metal, port, threaded, oblique tip, 10 mm Ø, 100 mm WL	Lap 3.9
8923.024	Trocar sleeve, port, RIWO-ART, threaded, 10 mm Ø, 100 mm WL	Lap 3.9
8923.042	Trocar sleeve, high-flow, RIWO-ART, 10 mm Ø, 100 mm WL	Lap 16.2
		Lap 3.14
		Lap 16.3
8923.103	Trocar, blunt, conical tip, 10 mm Ø, 100 mm WL	Lap 3.9
		Lap 3.14
		Lap 16.2
		Lap 16.3
8923.113	Trocar, conical tip, 10 mm Ø, 100 mm WL	Lap 3.9
		Lap 3.10
		Lap 3.14
		Lap 14.2
		Lap 16.2
		Lap 16.3
8923.115	Trocar, conical tip, 10 mm Ø, 150 mm WL	Lap 3.9
		Lap 3.10
8923.123	Trocar, pyramidal tip, 10 mm Ø, 100 mm WL	Lap 3.9
		Lap 3.10
		Lap 3.14
		Lap 14.2
		Lap 16.2
		Lap 16.3
8923.125	Trocar, pyramidal tip, 10 mm Ø, 150 mm WL	Lap 3.9
		Lap 3.10

2

Product #	Description	Page #
8923.131	Trocar, Trotec, complete, 10 mm Ø, 100 mm WL	Lap 3.15
8923.132	Trocar, Trotec, conical, 10 mm Ø, 100 mm WL	Lap 3.15
8923.133	Trocar, Trotec, complete, 10 mm Ø, 100 mm WL	Lap 3.15
8923.134	Trocar, Trotec, pyramidal, 10 mm Ø, 100 mm WL	Lap 3.15
8923.135	Trocar, Trotec handle, w/spring	Lap 3.15
8923.802	Reducer, Vario Port, from 12.5 mm, 10 mm, 7 mm to 5 mm Ø	Lap 3.7
		Lap 3.9
		Lap 3.13
8923.802	(cont.)	Lap 3.14
		Lap 3.20
		Lap 16.2
		Lap 16.3
8923.901	Ball, RIWO-ART, 7-12.5 mm Ø	Lap 3.13
		Lap 3.14
		Lap 3.7
		Lap 3.9
		Lap 3.23
8923.921	Guide rod, 5.5 mm Ø	Lap 3.16
8923.931	Sleeve, dilation, 5.5-10 mm Ø	Lap 3.16
8923.951	O-Rings, RIWO-ART, 7-12.5 mm Ø	Lap 3.7
		Lap 3.9
		Lap 3.13
		Lap 3.14
		Lap 3.23
8924.013	Trocar sleeve, RIWO-ART, port, 12.5 mm Ø, 100 mm WL	Lap 2.8
		Lap 3.13
		Lap 3.16
8924.014	Trocar sleeve, RIWO-ART, port, 12.5 mm Ø, 100 mm WL	Lap 2.8
		Lap 3.13
8924.016	Trocar sleeve, RIWO-ART, port, 12.5 mm Ø, 150 mm WL	Lap 3.13
8924.022	Trocar sleeve, RIWO-ART, port, 12.5 mm Ø, 60 mm WL	Lap 3.13

Product #	Description	Page #
8924.042	Trocar sleeve, high-flow, RIWO-ART, 12.5 mm Ø, 100 mm WL	Lap 16.2
		Lap 16.3
		Lap 3.14
8924.101	Trocar, blunt, conical tip, 12.5 mm Ø, 60 mm WL	Lap 3.13
8924.103	Trocar, blunt, conical tip, 12.5 mm Ø, 100 mm WL	Lap 3.13
		Lap 3.14
		Lap 16.2
		Lap 16.3
8924.111	Trocar, conical tip, 12.5 mm Ø, 60 mm WL	Lap 3.13
8924.113	Trocar, conical tip, 12.5 mm Ø, 100 mm WL	Lap 2.8
		Lap 3.13
		Lap 3.14
		Lap 16.2
		Lap 16.3
8924.115	Trocar, conical tip, 12.5 mm Ø, 150 mm WL	Lap 3.13
8924.121	Trocar, pyramidal tip, 12.5 mm Ø, 60 mm WL	Lap 3.13
8924.123	Trocar, pyramidal tip, 12.5 mm Ø, 100 mm WL	Lap 2.8
		Lap 3.13
		Lap 3.14
		Lap 16.2
		Lap 16.3
8924.125	Trocar, pyramidal tip, 12.5 mm Ø, 150 mm WL	Lap 3.13
8924.131	Trocar, Trotec, complete, 12.5 mm Ø, 100 mm WL	Lap 3.15
8924.132	Trocar, Trotec, conical, 12.5 mm Ø, 100 mm WL	Lap 3.15
8924.133	Trocar, Trotec, complete, 12.5 mm Ø, 100 mm WL	Lap 3.15
8924.134	Trocar, Trotec, pyramidal, 12.5 mm Ø, 100 mm WL	Lap 3.15
8924.802	Reducer, Vario Port, trocar sleeve, 12.5-10 mm Ø	Lap 3.13
		Lap 3.14
		Lap 3.20
		Lap 16.2
		Lap 16.3

Product #	Description	Page #
8924.931	Sleeve, dilation and guide, 10-12.5 mm Ø	Lap 3.16
8928.90	Retractors, tissue, S-shaped	Lap 3.12
		Lap 3.11
8930.402	Laparoscope, 25°, 3.5 mm Ø, 300 mm WL	Lap 2.2
8930.451	Laparoscope, 0°, 3.5 mm Ø, 180 mm WL	Lap 2.2
8932.01	Trocar sleeve, trumpet valve, 8 mm Ø, 105 mm WL	Lap 3.8
8932.12	Trocar, pyramidal tip, 8 mm Ø, 105 mm WL	Lap 3.8
8933.411	Laparoscope, 0°, 7 mm Ø, 300 mm WL	Lap 2.4
8933.412	Laparoscope, 25°, 7 mm Ø, 300 mm WL	Lap 2.4
8933.413	Laparoscope, 50°, 7 mm Ø, 300 mm WL	Lap 2.4
8934.01	Trocar sleeve, metal, trumpet valve, 10 mm Ø, 100 mm WL	Lap 3.10
		Lap 3.12
8934.03	Trocar sleeve, metal, trumpet valve, oblique tip, 10 mm Ø, 100 mm WL	Lap 3.10
		Lap 3.12
		Lap 3.17
8934.071	Trocar sleeve, metal, trumpet valve, 10 mm Ø, 145 mm WL	Lap 3.10
		Lap 3.12
8934.125	Trocar, pyramidal tip, with protective sleeve, 10 mm Ø, 100 mm WL	Lap 3.9
8934.15	Obturator, blunt, 10 mm Ø, 100 mm WL	Lap 3.11
		Lap 3.12
8934.175	Obturator, blunt, 10 mm Ø, 150 mm WL	Lap 3.11
		Lap 3.12
8934.301	Sleeve, self-retaining, 10 mm Ø	Lap 3.9
		Lap 3.10
8934.411	Laparoscope, 0°, 10 mm Ø, 300 mm WL	Lap 2.5

Product #	Description	Page #
8934.412	Laparoscope, 25°, 10 mm Ø, 300 mm WL	Lap 2.5
8934.413	Laparoscope, 50°, 10 mm Ø, 300 mm WL	Lap 2.5
8934.901	Sliding cone	Lap 3.12
		Lap 3.11
8934.95	Sleeve dilation and guide, 5-10 mm Ø	Lap 3.17
8934.951	Guide rod, 5 mm Ø	Lap 3.17
8934.98	Sleeve, reducing, 10/5 mm Ø, 160 mm WL	Lap 3.20
8934.981	Sleeve, introducing, 5-10 mm Ø	Lap 4.16
		Lap 4.17
		Lap 4.18
8935.411	Laparoscope, 0°, 5 mm Ø, 300 mm WL	Lap 2.3
8935.412	Laparoscope, 25°, 5 mm Ø, 300 mm WL	Lap 2.3
8935.413	Laparoscope, 50°, 5 mm Ø, 300 mm WL	Lap 2.3
8940.01	Trocar sleeve, trumpet valve, 5 mm Ø, 105 mm WL	Lap 3.6
8940.07	Trocar sleeve, insulated, w/ cock, 5.5 mm Ø, 100 mm WL	Lap 3.5
8940.12	Trocar, pyramidal tip, 5 mm Ø, 105 mm WL	Lap 3.6
8940.301	Sleeve, self-retaining, 5 mm Ø	Lap 3.6
8941.01	Trocar sleeve, trumpet valve, 12 mm Ø, 100 mm WL	Lap 3.14
8941.12	Trocar, pyramidal tip, 12 mm Ø, 100 mm WL	Lap 3.14
8941.901	Sleeve, reducing, 12-10 mm Ø	Lap 3.20
8941.951	Sleeve, reducing, 12/5 mm Ø, 180 mm WL	Lap 3.16
		Lap 3.20
8943.011	Trocar sleeve, trumpet valve, 15 mm Ø, 95 mm WL	Lap 15.7
		Lap 3.18
		Lap 14.2
8943.901	Guide rod, 10 mm Ø	Lap 3.18
		Lap 14.2

Product #	Description	Page #
8943.901		Lap 3.16
		Lap 15.7
8943.911	Sleeve, dilation and guide, 10-15 mm Ø	Lap 15.7
		Lap 3.18
		Lap 14.2
8943.982	Sleeve, instrument and extractor, 15 mm Ø	Lap 3.18
8945.011	Trocar sleeve, trumpet valve, 20 mm Ø	Lap 3.18
8945.911	Sleeve, dilation, 10-20 mm Ø	Lap 3.18
8945.982	Sleeve, instrument and extractor, 20 mm Ø	Lap 3.18
8950.28	Scissors, retrograde, flexible, 5 Fr, 545 mm WL	Acc 10.2
		URS 14.3
8950.66	Forceps, foreign body, flexible, 5 Fr, 545 mm WL	Acc 10.2
		URS 14.3
8950.70	Adapter, insertion for 3 mm instruments	Lap 8.8
8952.60	Forceps, biopsy, semi-rigid, 5 Fr, 550 mm WL	Acc 9.1
		URS 14.1
8952.611	Forceps, grasping, mouse-tooth, rigid, 4 Fr, 550 mm WL	Acc 9.1
		URS 14.1
8952.621	Forceps, grasping, mouse tooth, rigid, 5 Fr, 550 mm WL	Acc 9.1
		URS 14.1
8952.65	Forceps, grasping, rigid, 5 Fr, 550 mm WL	Acc 9.1
		URS 14.1
8954.515	Ultrasound, sonotrode, ureterorenoscopy, straight, 1.5 mm Ø, 564 mm WL	Litho 5.3
8954.519	Ultrasound, sonotrode, ureterorenoscopy, straight, 1.9 mm Ø, 562 mm WL	Litho 5.3
8954.68	Forceps, alligator, rigid, 5 Fr, 550 mm WL	URS 14.1
8954.765	Adapter, single channel, shut-off valve	Cys 8.1
		Ped 8.1

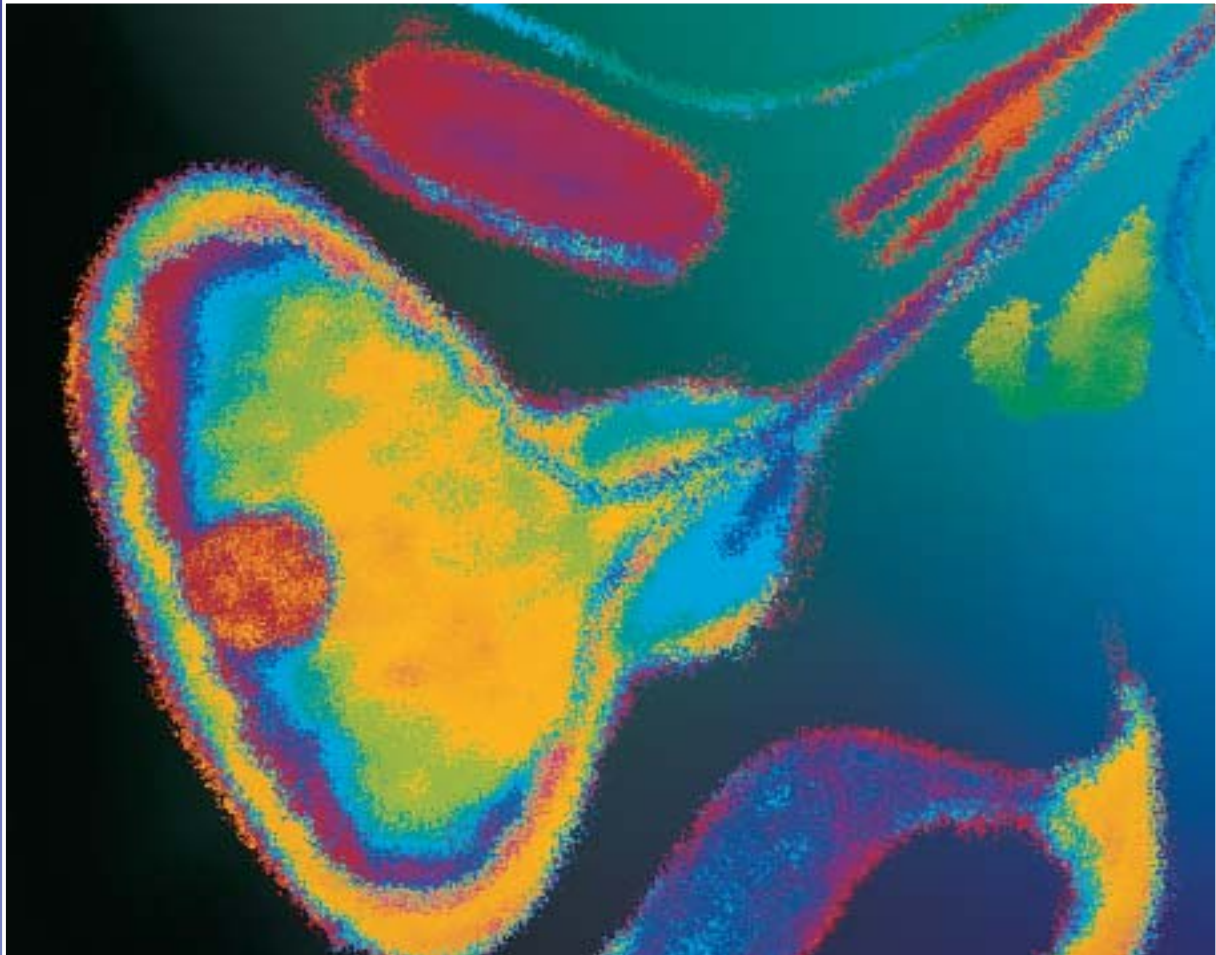
Product #	Description	Page #
		URS 3.1
8954.766	Adapter, double channel, with shut-off valves	URS 3.1
8955.06	Guide rod, dilatation, 6 Fr	PCN 3.2
8955.185	Dilator, telescopic, 9-18 Fr	PCN 3.2
		PCN 10.2
8955.27	Dilator, telescopic, 9-27 Fr	PCN 3.2
8959.515	Ultrasound, sonotrode, ureterorenoscopy, straight, 1.5 mm Ø, 444 mm WL	Litho 5.3
8959.519	Ultrasound, sonotrode, ureterorenoscopy, straight, 1.9 mm Ø, 444 mm WL	Litho 5.3
8959.611	Forceps, grasping, mouse tooth, short, rigid, 4 Fr, 415 mm WL	Acc 9.1
		URS 14.1
8959.621	Forceps, grasping, mouse tooth, rigid, 5 Fr, 415 mm WL	Acc 9.1
		URS 14.1
8959.66	Forceps, foreign body, flexible, 5 Fr, 415 mm WL	Acc 10.2
		URS 14.3
8959.68	Forceps, alligator, rigid, 5 Fr, 430 mm WL	Acc 9.3
		URS 14.1
8962.06	Sheath, nephroscope, 27 Fr, 175 mm WL	PCN 4.1
8962.122	Sheath, inner percutaneous, insulated tip	PCN 7.1
		PCN 8.1
8962.291	Guide tube, lateral opening, 21 Fr	PCN 5.2
8962.433	Nephroscope, 90° angled eyepiece, 4 mm insert cap., 25°	PCN 4.1
8962.519	Ultrasound, sonotrode, nephroscopy, straight, 1.9 mm Ø, 343 mm WL	Litho 5.3

Product #	Description	Page #
8962.524	Ultrasound, sonotrode, nephroscopy, straight, 2.4 mm Ø, 359 mm WL	Litho 5.3
8962.60	Forceps, rigid, alligator jaws	Litho 7.1
		PCN 4.2
		PCN 5.1
8962.602	Forceps, stone, angled, rigid, 8 Fr, 340 mm WL	Acc 9.2
		Litho 7.1
		PCN 5.1
8962.604	Forceps, stone, alligator, rigid, 10 Fr, 340 mm WL	Acc 9.2
8962.605	Forceps, stone, rigid, 10 Fr, 340 mm WL	Acc 9.2
8962.607	Forceps, stone, serrated, rigid, 10 Fr, 340 mm WL	Acc 9.2
8962.61	Forceps, rigid, "peanut" grasping	Acc 9.2
		Litho 7.1
		PCN 4.2
		PCN 5.1
8962.641	Ultrasound, sonotrode, nephroscopy, oscillating burr, straight, 4.0 mm Ø, 365 mm WL	Litho 5.3
8962.72	Scalpel, percutaneous fascia	PCN 3.2
8962.951	Scalpel, stricture, half-moon shaped	Acc 12.1
		PCN 5.2
8963.535	Ultrasound, sonotrode, nephroscopy, straight, 3.5 mm Ø, 362 mm WL	Litho 5.3
8963.635	Ultrasound, sonotrode, nephroscopy, oscillating burr, straight, 3.5 mm Ø, 366 mm WL	Litho 5.3
8964.021	Sheath, nephroscope, 20.8 Fr, 205 mm WL	PCN 4.2
8964.121	Obturator, for 8964.021	PCN 4.2
8964.401	Nephroscope, 20.8 Fr, insert cap. 3.5 mm, 205 mm WL	PCN 4.2

Product #	Description	Page #
8964.601	Forceps, stone, extracting, rigid, 8 Fr, 340 mm WL	Acc 9.2
8964.601	Forceps, rigid, stone grasping	Litho 7.1
		PCN 4.2
		PCN 5.1
8964.671	Forceps, 3 prong grasper	Litho 7.1
		PCN 4.2
		PCN 5.1
8964.675	Grasper, spare, 3 prong	PCN 5.1
8964.711	Adapter, irrigation	PCN 4.2
8965.041	Sheath, nephroscope, 24 Fr, 205 mm WL	PCN 4.2
8965.141	Obturator, for 8965.041	PCN 4.2
8965.401	Nephroscope, 24 Fr, 3.5 mm insert cap, 205 mm WL	PCN 4.2
8965.91	Working element, ureterotome	URS 10.1
8968.001	Sheath, nephroscope, 15 Fr, 205 mm WL	PCN 10.1
8968.011	Sheath, nephroscope, 18 Fr, 205 mm WL	PCN 10.1
8968.101	Obturator, hollow for 8968.001 sheath	PCN 10.1
8968.111	Obturator, hollow for 8968.011 sheath	PCN 10.1
8968.421	Nephroscope, 15 Fr, 2.4 mm insert cap., 12°	PCN 10.1
8968.601	Forceps, rigid, stone grasping	PCN 10.1
		PCN 10.2
8968.671	Forceps, rigid, 3 prong grasper	PCN 10.1
		PCN 10.2
8972.433	Nephroscope, 45° angled eyepiece, 4 mm insert cap., 25°	PCN 4.1
8983.011	Vaginal delineator, Reich, 45 mm Ø, 240 mm WL	Lap 15.5
8983.111	Obturator, 40 mm Ø, 300 mm WL	Lap 15.5
8983.201	Port, instrument, bayonet lock, inner dia. 2x10 mm	Lap 15.5
8986.251	Handle, ergonomic, for 8645.413	Cys 5.1
8992.64	Scissors, hooked, semi-rigid, 7 Fr, 320 mm WL	Acc 9.3
		Cys 5.2

Product #	Description	Page #
9008.049	Thumb screw	Lap 11.1
N710154	Power cord	Lap 14.1
		Lap 16.2
		Lap 16.3

Product #	Description	Page #
		Litho 6.1
		Res 18.1
N710171	Power cord	Lap 16.7



Cystoscopes

Cystoscopes

Anatomy

.....

Cysto-urethroscope 8650
for 4 mm, 0°, 5°, 12°, 25° and 70° endoscopes

.....
Urethro-cystoscope 8652
for 4 mm, 0°, 5°, 12° and 25° endoscopes

.....
Atraumatic compact cysto-urethroscope
14 Fr., 17 Fr., 25°

.....
Flexible Cysto/Nephroscope
15.5 Fr.

.....
Cysto-urethroscope small caliber 8660
for 3.3 mm, 0°, 25° and 70° endoscopes

.....
Set for transurethral incontinence therapy

.....
Instrument storage trays

0

1

2

3

4

5

6

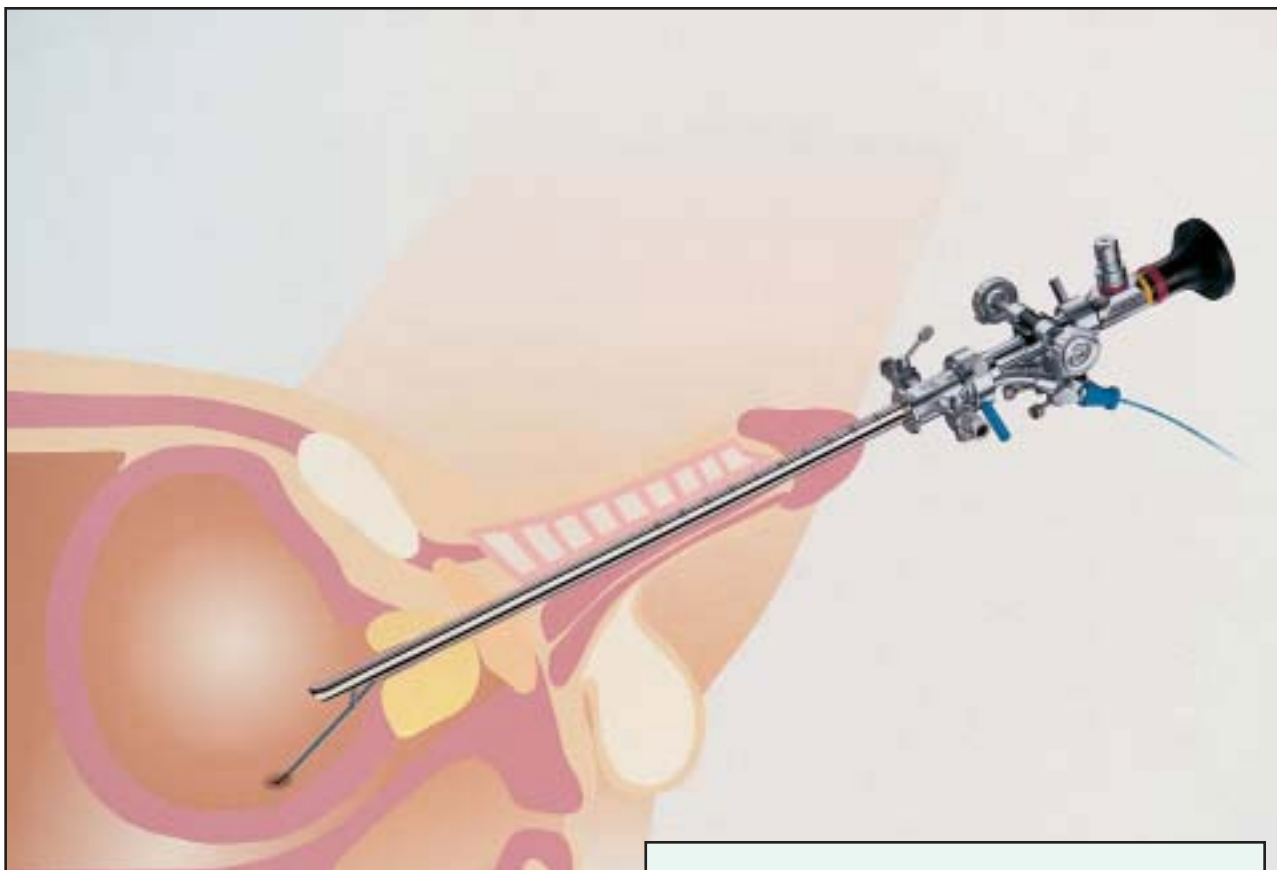
7

8

9

Cystoscopes

0

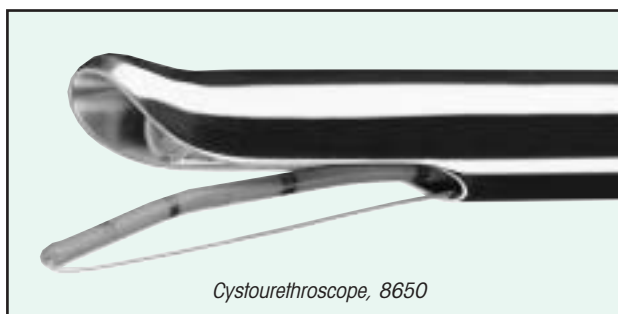


Cysto/Urethroscopy has become a well-established method in urology for diagnosis and therapy. With the aim of meeting the high requirements in hospitals and practices, WOLF offers sophisticated system solutions allowing optimal instrument combinations for every indication and anatomic condition.

The basic distinction between cystourethroscopes and urethrocystoscopes, is the shape of the distal sheath.



Urethrocystoscope, 8652



Cystourethroscope, 8650

Product Innovations for Cystoscopy

0



PANOVIEW PLUS Endoscopes

Supreme detail resolution and perfect image replication for a sharply defined and brilliant image across the entire field of operation - autoclavable.



Working elements

Sheaths, inserts and attachments for a wide range of combinations.



Auxiliary instruments

Optical forceps, scissors and flexible instruments for a wide range of treatment possibilities.

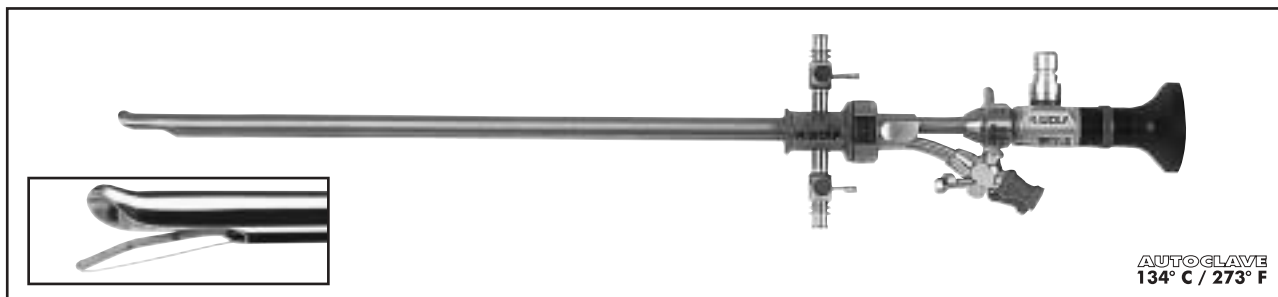


Endo units


Suction pumps, lithotripsy units, light sources, endoscopic imaging systems, video carts, and trays for hygienic reprocessing.



E-line Cysto-Urethroscopes 8650

for 4 mm, 0°, 12°, 25° and 70° Endoscopes
and Bridge adapters



3

Endoscopes	∅	Viewing angle	Enlarged image and objective field
Fixed eyepiece 	4 mm	0°	8650.404
		12°	8654.411
		25°	8654.402
		70°	8650.405

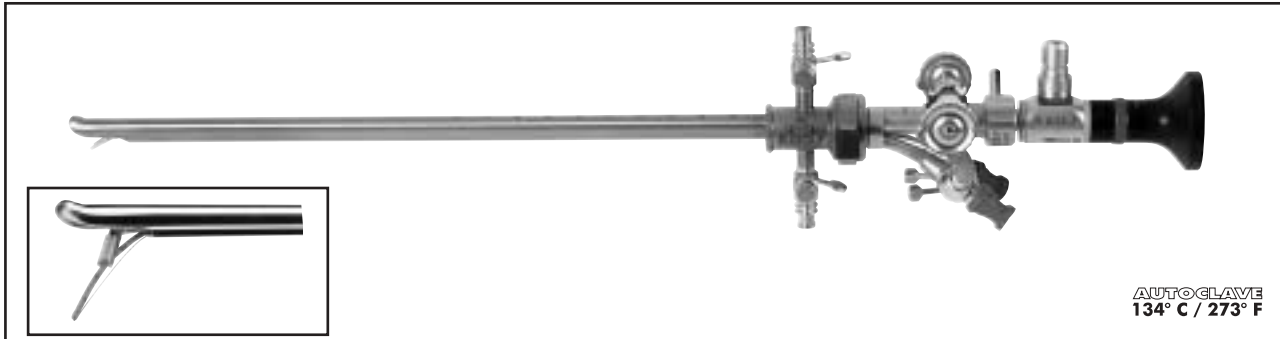
Sheaths, with obturators				Bridge adapters		
						
Type	Fr.	Color code	Insert capacity (Fr.)	Exam only	Single channel	Double channel
8650.014	16	yellow	1 x 5*	8650.254	8650.264	8650.284
8650.024	17.5	green	1 x 5 or 2 x 4			
8650.034	19.5	red	1 x 7 or 2 x 5			
8650.044	21	blue	1 x 10 or 2 x 6			
8650.054	23	white	1 x 12 or 2 x 7			


*Accepts 5 Fr. ureteral catheters only


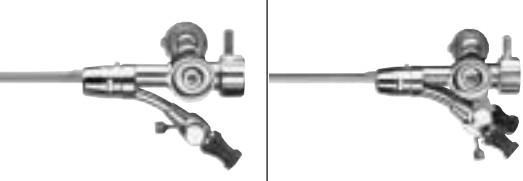
Viewing Obturators see page Cys 3.6

E-line Cysto-Urethroscopes 8650

For 4 mm, 25° and 70° Endoscopes
and Inserts with Albarran Deflector



Endoscopes	Ø	Viewing angle	Enlarged image and objective field
 Fixed eyepiece	4 mm	25°	8654.402
		70°	8650.405

Sheaths, with obturators				Albarran deflector bridges	
					
Type	Fr.	Color code	Capacity (Fr.)	1 Instrument port	2 Instrument ports
8650.024	17.5	green	1 x 5 or 2 x 4	8650.214	8650.204
8650.034	19.5	red	1 x 7 or 2 x 5		
8650.044	21	blue	1 x 10 or 2 x 6		
8650.054	23	white	1 x 12 or 2 x 7		

Viewing Obturators see page Cys 3.6

E-Line Optical Forceps and Scissors

For Cysto-Urethroscope 8650

with 4 mm, 0° Endoscopes



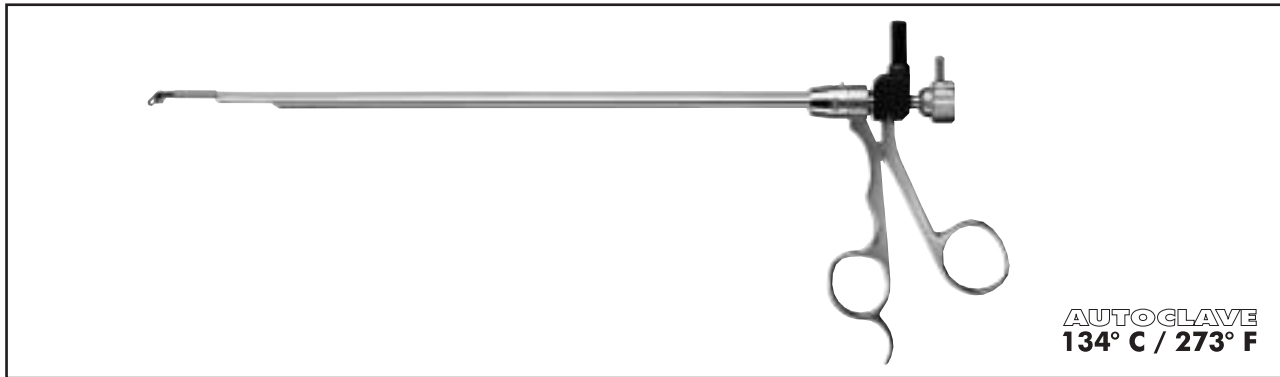
Instrument		For sheaths from	Type
<p>Biopsy forceps by "Marburg" cutting action, the close proximity of the jaws to the endoscope allows biopsies to be performed even in the area around the bladder neck.</p>		19.5 Fr.	8650.614
<p>Scissors by "Wuppertal" for opening ureteroceles, for cutting intruding sutures, for the removal of polyps at their base and for slitting the ureteral orifice.</p>		19.5 Fr.	8650.644
<p>Foreign body forceps also for crushing small soft calculi.</p>		19.5 Fr.	8650.654
<p>Stone forceps for smaller stones and for removing stone fragments.</p>		23 Fr.	8650.664
<p>Retrograde Biopsy forceps with spoon-shaped jaws, retrograde cutting action, for biopsies in the transition area by the bladder neck / upper wall, as well as in the distal urethra.</p>		19.5 Fr.	8650.774


E-line Optical Forceps and Scissors

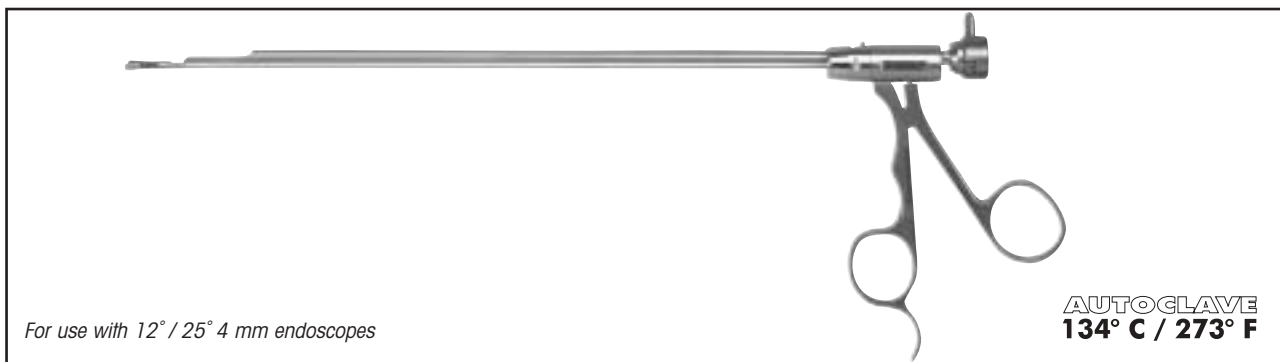
For Cysto-urethroscope 8650



with 4 mm, 0° Endoscopes

3



Instrument	For sheaths from	Type
<p>Coagulating biopsy forceps by Tauber for combined biopsy and haemostasis. Particularly suitable for bladder mapping and quadrant biopsy. Instant haemostasis without changing instruments and time-consuming reorientation.</p> 	21 Fr.	8650.624



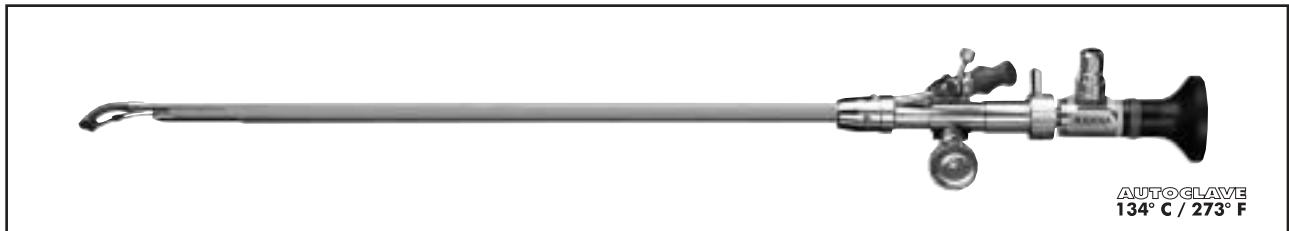
Instrument	For sheaths from	Type
<p>Biopsy forceps for use with 12° / 25° 4 mm endoscopes</p> 	19.5 Fr.	8650.604
<p>Grasping forceps for use with 12° / 25° 4 mm endoscopes</p> 	19.5Fr.	8650.684


HF connecting cable, 3M WL, Reusable,815.033 or 3M WL, Disposable, 10 / pkg.....415.0030




E-line Retro Guiding Insert

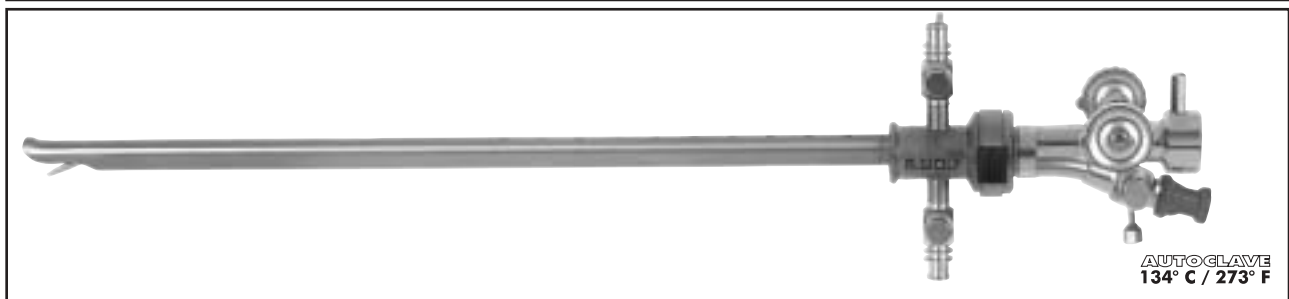
For Cysto-urethroscope 8650

with 4 mm, 70°, 110° Endoscopes



Endoscopes	∅	Viewing angle	Enlarged image and objective field
 Fixed eyepiece	4 mm	70°	8650.405
		110°	8650.409

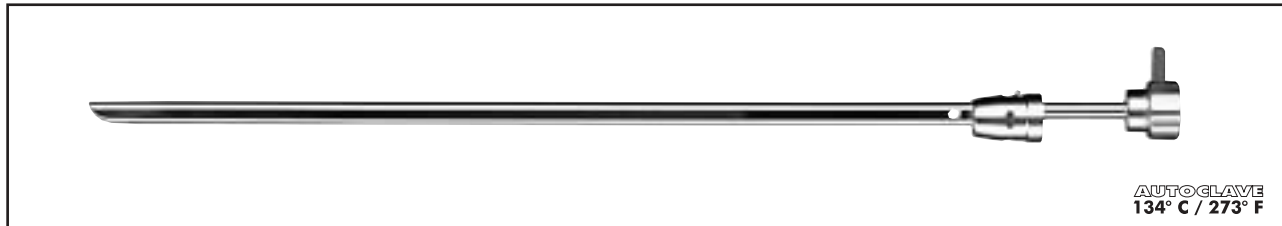
Guide deflecting insert		For coagulation or biopsy of the upper bladder wall	
			
Type	For sheaths from	Coagulating button electrode, 6 Fr.	Biopsy forceps, 7 Fr.
8650.754	21 Fr.	823.06	829.07



For ureteral stents	Color code	For sheath	Type
Sheath with Obturator	black	25 Fr.	8650.064
Deflecting insert with one instrument port, 15 Fr. capacity	—	—	8650.27
Single channel adapter, 15 Fr. capacity (bridge only)	—	25 Fr.	8650.294

E-line Viewing Obturator for Insertion of the Sheath under Direct Vision

3



AUTOCLAVE
134° C / 273° F

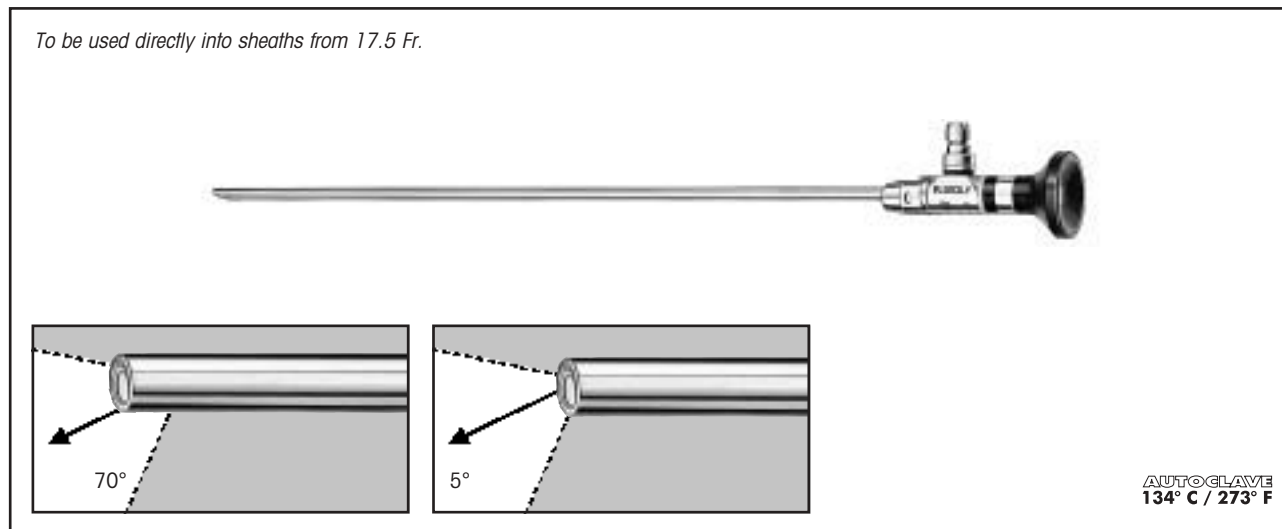
Viewing obturator

for sheath:

17.5 Fr.	8650.714
19.5 Fr.	8650.724
21 Fr.	8650.734
23 Fr.	8650.744

PANOVIEW PLUS-Examination Only Endoscopes

For Cysto-Urethroscope 8650



AUTOCLAVE
134° C / 273° F

PANOVIEW PLUS-examination endoscope, 4.8 mm Ø

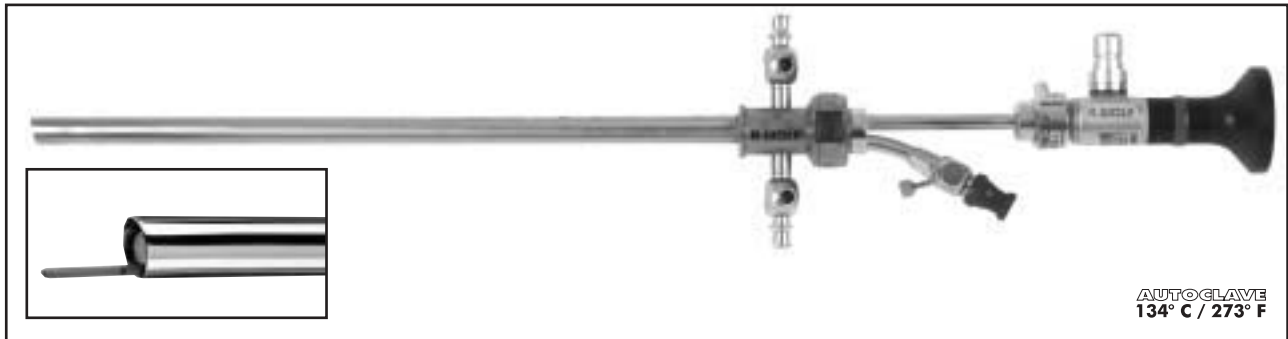
5°	8650.441
70°	8650.445

Superior optical performance (greater diameter and shorter length) for improved diagnosis.


E-line Urethro-Cystoscope 8652



for 4 mm, 0°, 12° and 25° Endoscopes

and Bridge Adapters



4

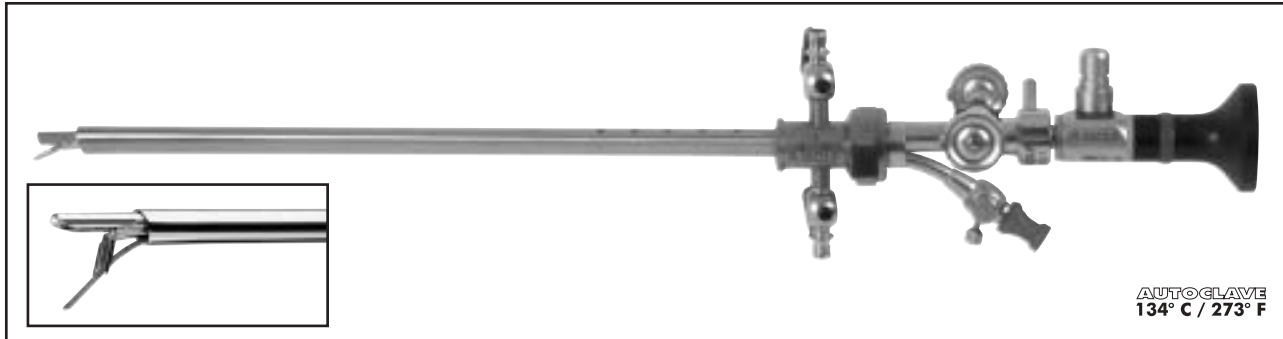
Endoscopes	∅	Viewing angle	Enlarged image and objective field
 Fixed eyepiece	4 mm	0°	8650.404
		12°	8654.411
		25°	8654.402

<i>Sheaths, with obturators</i>				<i>Bridge adapters</i>		
						
Type	Fr.	Color code	Insert capacity (Fr.)	Exam only	Single channel	Double channel
8652.014	16	yellow	1 x 5*	8652.254	8652.264	8652.284
8652.024	17.5	green	1 x 5 or 2 x 4			
8652.034	19.5	red	1 x 7 or 2 x 5			
8652.044	21	blue	1 x 10 or 2 x 6			


*Accepts 5 Fr. ureteral catheters only




E-Line Urethro-Cystoscope 8652

for 4 mm, 25° & 70° Endoscopes
and Inserts with Albarran Deflectors



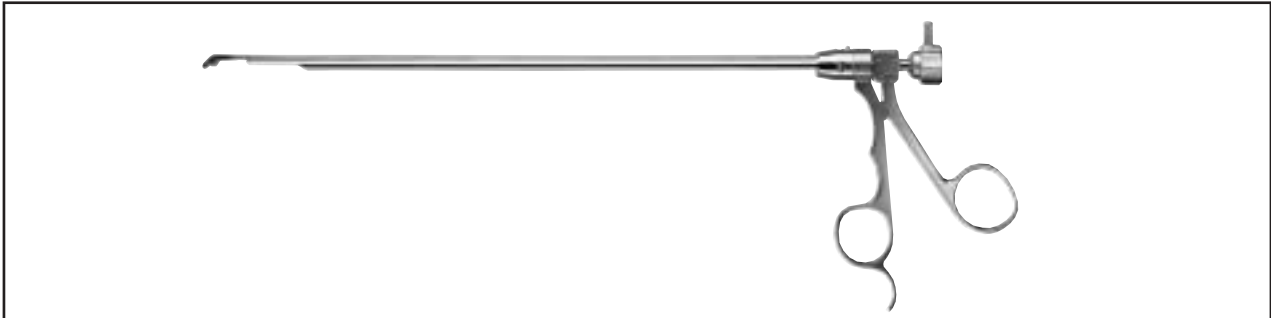
4

Endoscopes	∅	Viewing angle	Enlarged image and objective field
 Fixed eyepiece	4 mm	25°	8654.402
		70°	8650.405






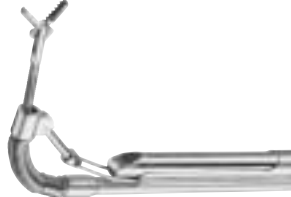
Sheaths, with obturators				Insert with Albarran deflector	
					
8652.024	17.5	Green	1 x 5 or 2 x 4	8650.214	8650.204
8652.034	19.5	Red	1 x 7 or 2 x 5		
8652.044	21	Blue	1 x 10 or 2 x 6		

E-line Optical Forceps and Scissors

For Urethro-cystoscope 8652 sheaths
 with 4 mm, 0°, 70°, and 110° endoscopes



4

Instruments for cysto-urethroscope 8650 for use in urethro-cystoscope 8652 sheaths	From sheaths Fr.	With endoscope	Only with spacer	Type
 <p>Biopsy forceps "Marburg"</p>	19.5	0°, 5°	8652.70	8650.614
 <p>Biopsy forceps with spoon-shaped jaws, retrograde cutting action</p>	19.5	0°, 5°	8652.70	8650.774
 <p>Scissors "Wuppertal"</p>	19.5	0°, 5°	8652.70	8650.644
 <p>Foreign body forceps</p>	21	0°, 5°	8652.70	8650.654
 <p>Tauber's coagulating biopsy forceps*</p>	21	0°, 5°	8652.70	8650.624
 <p>Retro guiding insert</p>	21	25°, 70°, 110°	—	8650.754

PANOVIEW PLUS endoscopes see pages Cys 3.1 & Cys 3.5



* Requires HF cable...815.033

E-Line Optical Forceps and Scissors

For Urethro-cystoscope 8652 sheaths
with 4 mm, 12° and 25° endoscopes

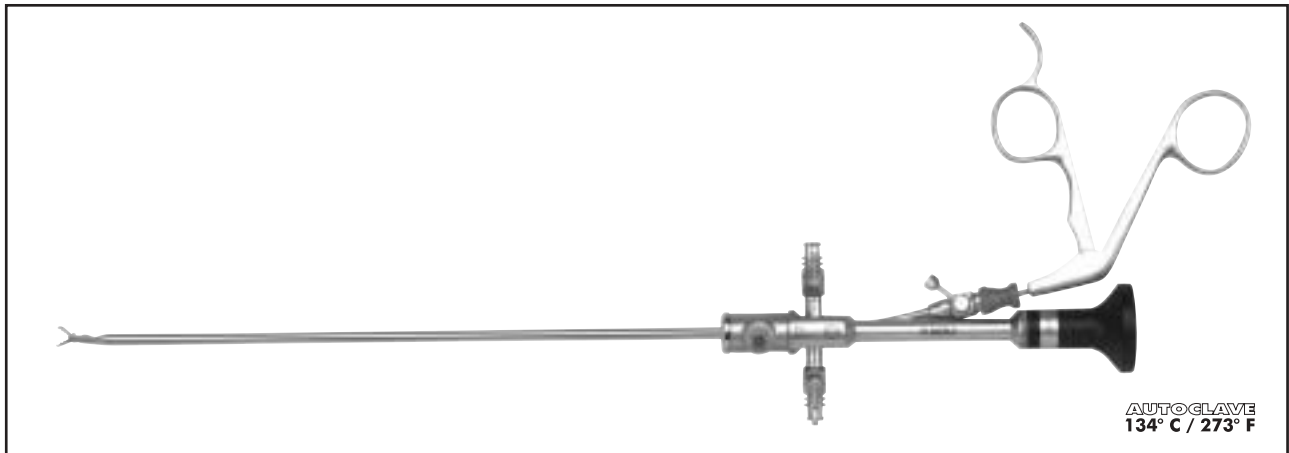


4

<i>Instruments for cysto-urethroscope 8650 for use in urethro-cystoscope 8652 sheaths</i>	<i>From sheaths Fr.</i>	<i>With endoscope</i>	<i>Only with spacer</i>	<i>Type</i>
<p>Biopsy forceps</p> 	19.5	0°, 5°	8652.70	8650.604
<p>Grasping forceps</p> 	19.5	0°, 5°	8652.70	8650.684

PANOVIEW PLUS endoscopes see pages Cys 3.1 & Cys 3.5

Atraumatic Compact Cysto-Urethroscope 14 Fr., 17 Fr. and 21 Fr., 25°



5

For clinic and office

- Outpatient urethro-cystoscopy, with less stress on the patient
- Biopsy specimens even from the prostate area
- Foreign body extraction (e.g. removal of stents)
- Retrograde manipulation
- Treatment of strictures
- Powerful PANOVIEW PLUS endoscope, 25° wide angle of view, panoramic field of view, superb detail
- Specially shaped atraumatic distal tip
- Compact and sturdy design

21 Fr. Compact Cysto-Urethroscope features:

- Beak-less 12 Fr. distal tip for atraumatic insertion
- Shorter working length, 155 mm, ideal for female urethroscopy
- Accepts optional ergonomic handle for easier grasping

Atraumatic compact cysto-urethroscope	Fr.	WL (mm)	Instrument channel		Endoscope
			For accessory instruments	Shape	
8642.403	14	210	Up to 5 Fr.	Oval	PANOVIEW PLUS endoscope with enlarged image and objective field
8645.403	17	210	Up to 7 Fr.	Oval	
8645.413	21	155	Up to 7 Fr.	Oval	

Optional:

Ergonomic handle for 8645.4138986.251











Accessory instruments see page Cys 5.2

Accessory Instruments

For Atraumatic Compact 25°

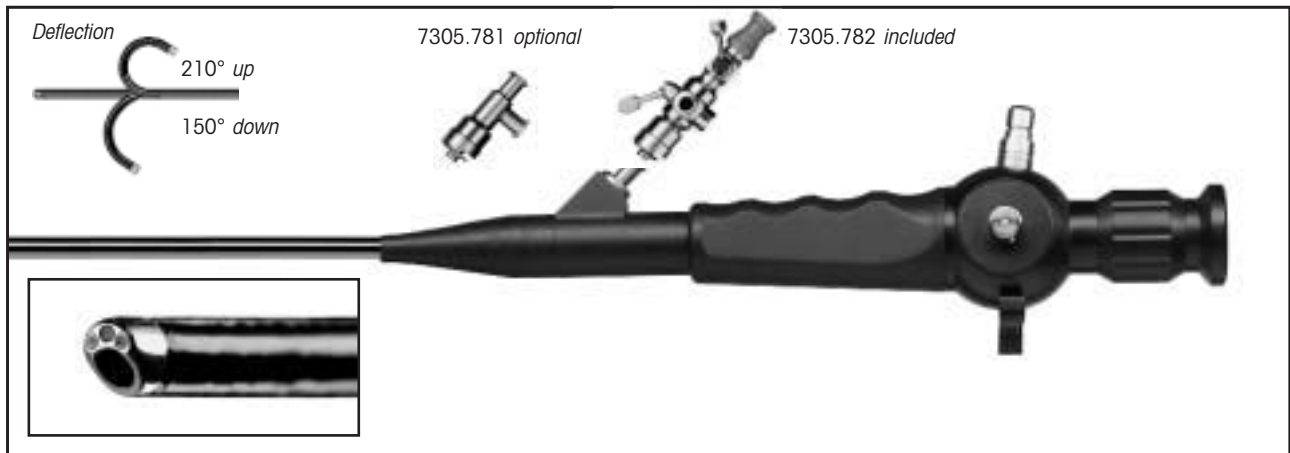
Cysto-urethrosopes 14 Fr., 17 Fr. & 21 Fr.

5

Instrumentation	Description	Fr.	Type
	<i>Rigid biopsy forceps</i>	7	8645.60
		5	8642.60
	<i>Rigid foreign body forceps</i>	7	8645.65
		5	8642.65
	<i>Semi-rigid hooked scissors</i>	7	8992.64
	<i>Flexible biopsy forceps</i>	7	829.07
		5	829.05
	<i>Flexible foreign body forceps</i>	7	828.07
		5	828.05
	<i>Flexible scissors with indented edge</i>	7	830.07
	<i>Injection cannula with Luer connector, semiflexible</i>	6	8640.16
	<i>Flexible coagulating button electrode* unipolar</i>	6	823.06
		5	823.05
	<i>Flexible needle electrode*</i>	5	824.05
	<i>Stricture scalpel, lancet-shaped</i>	7	8645.98

*- Requires HF connecting cable...815.033

15 Fr. Flexible Cysto / Nephroscope 7.5 Fr. Channel



- Large 7.5 Fr. operating channel with a small sheath circumference of only 15 Fr.
- Accepts 6.5 Fr. Flexible instruments
- Safe and atraumatic passage through the urethra is provided by the beveled distal tip
- 0° deflection position of the instrument tip can be clearly felt on the control lever
- Reduced weight and ergonomic design for optimal handling and less strain on the surgeon
- Immersible and suitable for gas sterilization

Description	Outer diameter	Instrument channel	Working length	Type
15 Fr. Flexible Cysto / Nephroscope Includes: instrument port (7305.782), 6.5 Fr. flexible grasping forceps (8736.685), leakage tester (163.903), gas sterilization valve (163.904), cleaning brush (7264.691), case	15 Fr.	7.5 Fr.	400 mm	"Logical Deflection" Forward movement of the control lever provides downward movement of the tip 7305.001
				"Ergonomic Deflection" Forward movement of the control lever provides upward movement of the tip 7305.006
Optional: Light cable 2.5 mm Ø, 3M WL	—	—	3000 mm	8061.256
Flexible biopsy forceps	6.5 Fr.	—	550 mm	829.055
Attachment with 2 Luer connectors, quick-lock mechanism	—	—	—	7305.781
3 in 1 Storage tray	—	—	—	8585.115


Further accessory instruments see Acc 10.1 - 11.1



E-line Small Caliber Cysto-Urethroscope



8660 For 3.3 mm, 0°, 25°, and 70° Endoscopes

Adapter / Insert with Albarran Deflector



Endoscopes	∅	Viewing angle	Enlarged image and objective field
With fixed eyepiece 	3.3 mm	0°	8660.411
		25°	8656.411
		70°	8660.412

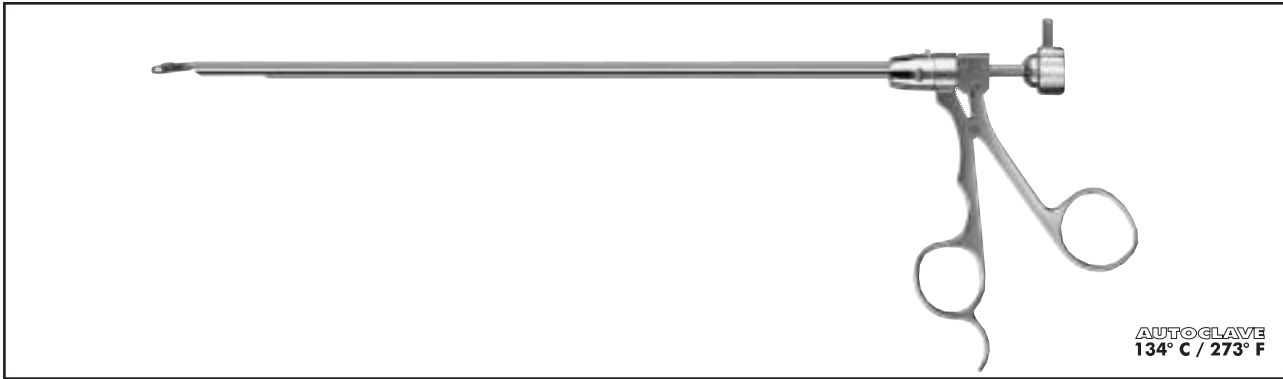
Sheaths, with obturators			Bridge for urethroscopy or diagnostic cystoscopy
			
Type	Fr.	Insert Capacity (Fr.)	1 Instrument port
8660.014	14.5	1 x 5	8660.264
8660.024	16	1 x 5 or 2 x 4	
8660.034	17.5	1 x 7 or 2 x 5	

Sheaths, with obturators			Bridge for cystoscopy with Albarran deflector
			
Type	Fr.	Insert Capacity (Fr.)	2 Instrument ports
8660.024	16	1 x 5 or 2 x 4	8660.224
8660.034	17.5	1 x 7 or 2 x 5	



E-line Optical Forceps

For Small Caliber Cysto-urethroscope 8660

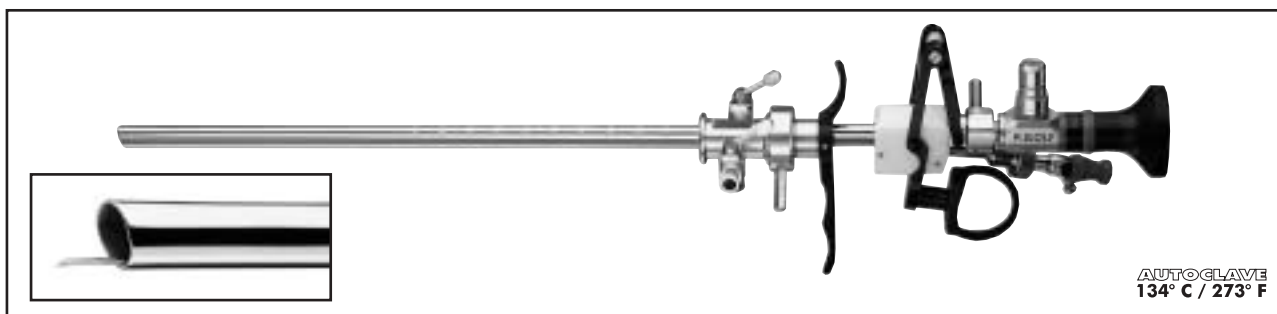
with 3.3 mm, 0° Endoscope









7

Instrument	For sheaths from	Type
<p>Biopsy forceps The close proximity of the jaws to the endoscope allows biopsies to be performed even in the area around the bladder neck.</p> 	17.5 Fr.	8660.604
<p>Foreign body forceps Also suitable for crushing small, soft calculi.</p> 	17.5 Fr.	8660.654

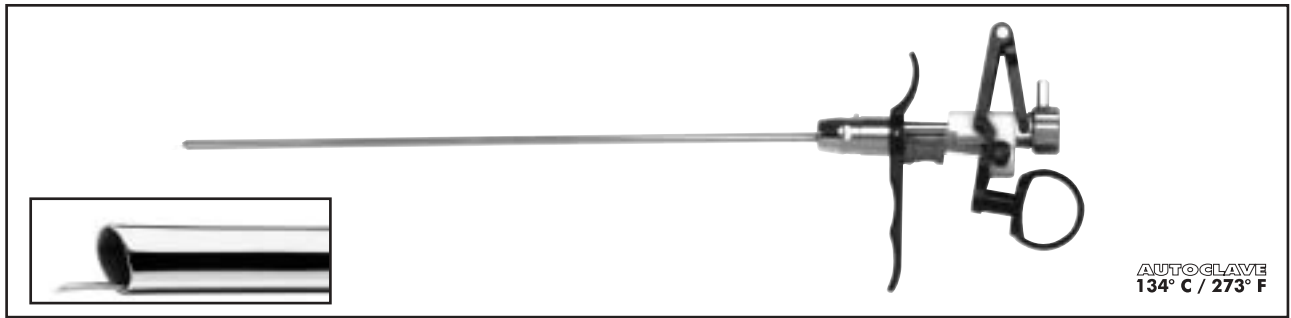
Aspiration / Injection System for transurethral incontinence therapy






Endoscopes	∅	Viewing angle	Enlarged image and objective field
	4 mm	25°	8654.402

Accessories	Type
Aspiration / injection working element 	8652.771
Aspiration / Injection needle, reusable 	8652.775
Aspiration / Injection needle, sterile, single use, box of 5 	8652.7765
Instrument guide, for accessory instruments up to 4 Fr. 	8954.765
Sheath with obturator, 21 Fr. 	8652.044

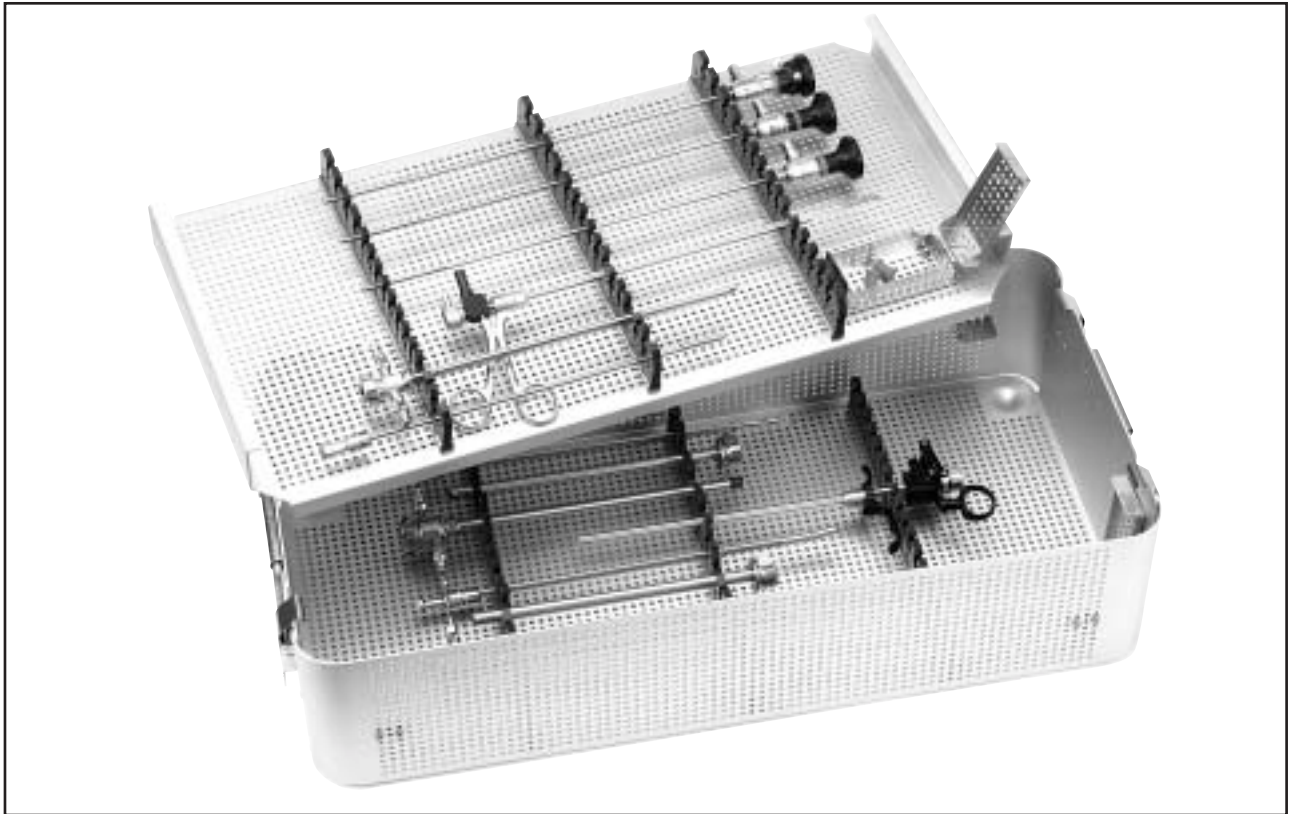
*Dual Purpose Injection System
 for transurethral incontinence therapy*



Endoscopes			<i>Enlarged image and objective field</i>
Fixed eyepiece		4 mm	25°
			8654.402

Accessories	Type
Dual purpose working element	 8654.281
Sheath with obturator, 21 Fr.	 8652.044

Universal Instrument Tray - 3" & 5" Deep



9

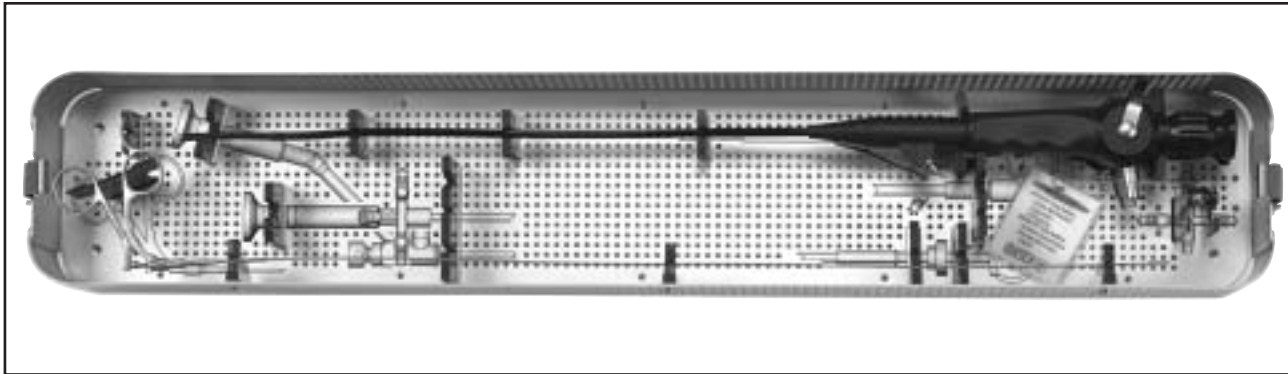
Loads of Storage Capacity

- ❑ Great for cystoscopy or resectoscope tray. This two level tray can hold a variety of instruments
- ❑ Each level contains (3) 8585.750 brackets that have 15 slots for instruments. Each slot has three different diameters: 10mm, 5mm & 3mm cuts.
- ❑ Also contains a compartment tray for loose items.

Description	Dimension (l x w x h)	Type
Universal tray, 5" deep, dual level tray	23" x 11" x 5"	8585.025
Universal tray, 3" deep, single level tray	23" x 11" x 3.1/2"	8585.023



3 in 1 Instrument Tray

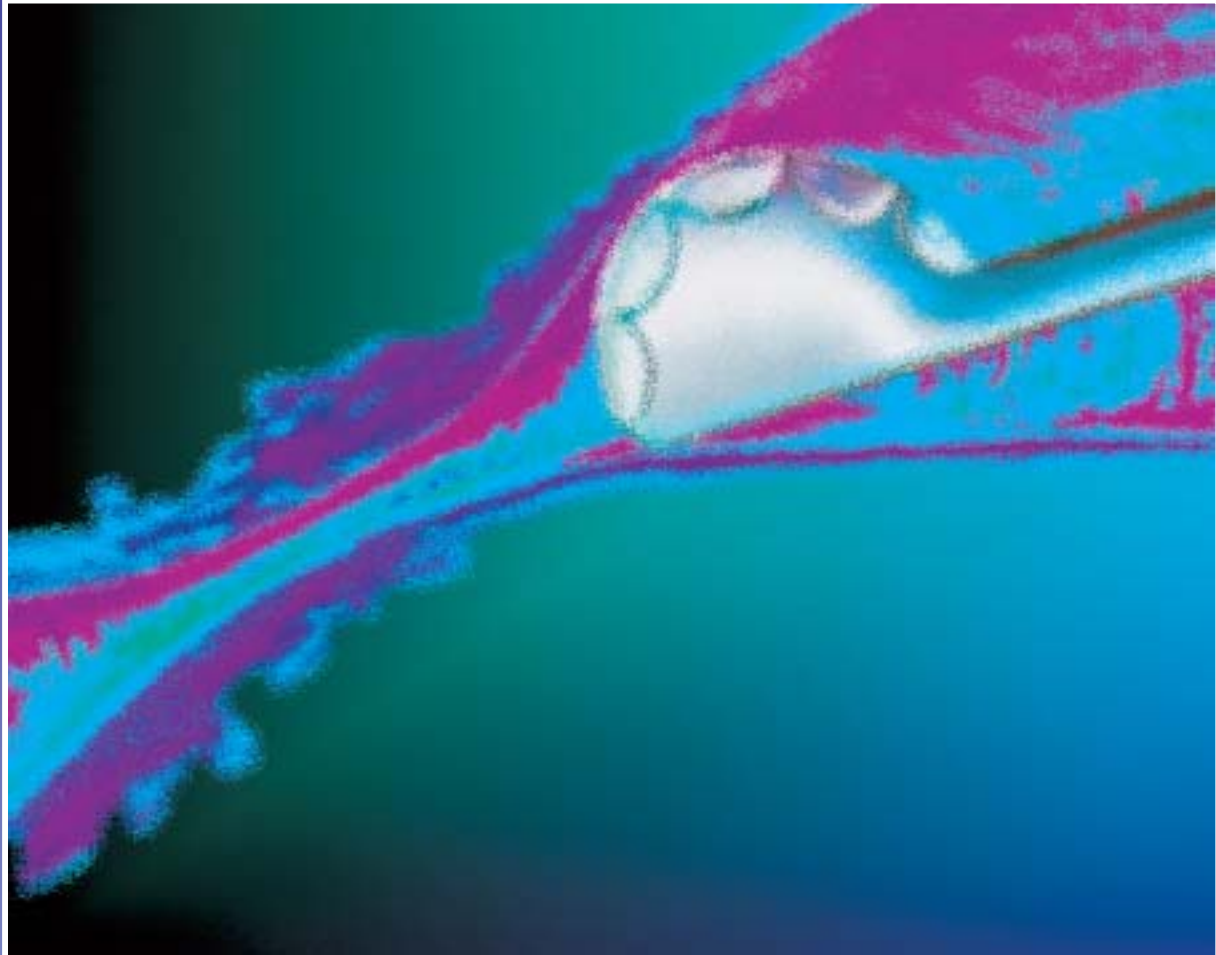


Description	Dimension (l x w x h)	Type
3 in 1 tray	31" x 5.1/2" x 2.3/4"	8585.115

9

3 in 1 Tray

- Ideal for flexible cysto/nephroscope
- Ideal for semi-rigid ureteroscope
- Ideal for Kleppinger forceps

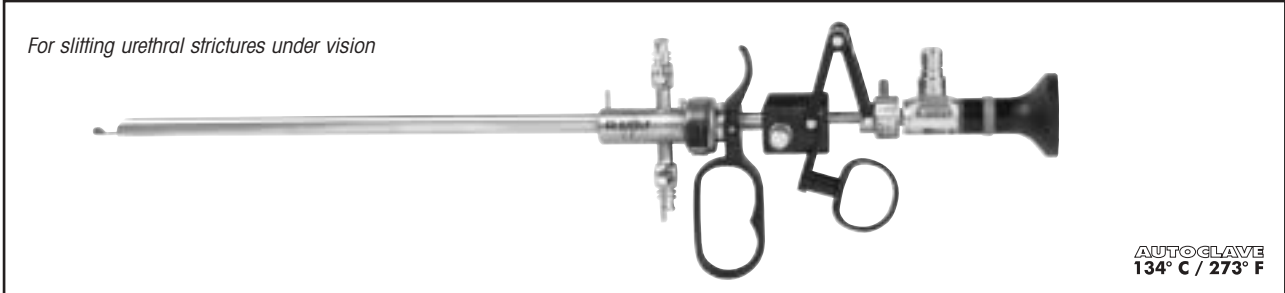


Urethrotomes

Urethrotomes

.....	0
.....	1
<i>Mini optical urethrotome 8670 for 3.3 mm, 0° endoscope</i>	2
<i>Optical urethrotome 8667 for 4 mm, 0° & 12° endoscopes</i>	3
<i>Urethrotome non-optical</i>	4
.....	
<i>Bougie urethrotomes</i>	5
.....	

E-Line Optical Urethrotome 8670, 16.5 Fr.
For 3.3 mm, 0° Endoscope



Endoscopes	∅	Viewing angle	Enlarged image and objective field
<p>Fixed eyepiece</p>	3.3 mm	0°	8660.411

Instrument	Fr.	Type
Working element for stricture scalpel	—	8670.911
Sheath with instrument port	16.5	8670.011
Sheath outer for continuous flow	19.5	8670.061
Hollow obturator can be inserted in the urethra via a guide wire	—	8670.111
Guide tube with lateral opening for inserting a 12 Fr. balloon catheter	—	8670.161






Protective Sterilization Sleeve
for a maximum of 5 electrodes, or stricture scalpels,
20 mm O.D., 328 mm length.....8428.901

Stricture scalpel see page Tome 2.2

Stricture Scalpels

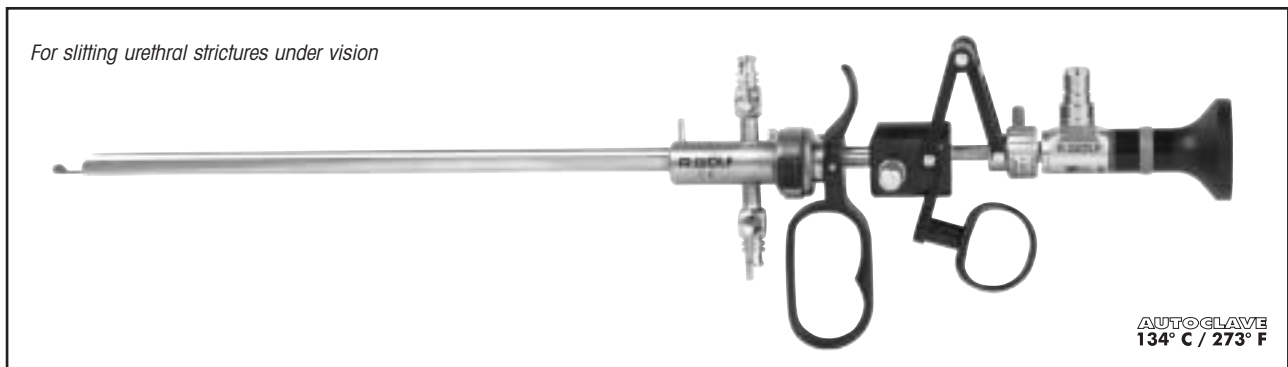
For 8670 optical urethrotome, 16.5 Fr.

2


<i>Ceramic Stricture scalpel</i>	<i>Shaft</i>	<i>Blade Design</i>	<i>Type</i>
	<i>Solid</i>	<i>Half-moon</i>	8670.961
	<i>Hollow</i>	<i>Half-moon</i>	8670.965
	<i>Hollow</i>	<i>Lancet</i>	8670.981

E-line Optical Urethrotome 8667, 20.5 Fr.

For 4 mm, 0° & 12° Endoscopes



3








Endoscopes	∅	Viewing angle	Enlarged image and objective field
 Fixed eyepiece	4 mm	0°	8650.404
		12°	8654.411





Instrument	Fr.	Type
Working element for stricture scalpel	—	8667.911
Sheath with instrument port	20.5	8667.011
Hollow obturator can be inserted in the urethra via a guide wire	—	8667.111
Guide tube with latering opening for inserting a 16 Fr. balloon catheter	—	8667.161

Stricture scalpel see page Tome 3.2

Stricture Scalpels, 20.5 Fr.
 For 8667 optical urethrotome

3

<i>Stainless stricture scalpel</i>	<i>Shaft</i>	<i>Blade Design</i>	<i>Type</i>
	<i>Hollow</i>	<i>Half-moon</i>	8667.965
	<i>Hollow</i>	<i>Serrated edge</i>	8667.955
	<i>Solid</i>	<i>Half-moon</i>	8667.96
	<i>Solid</i>	<i>Serrated edge</i>	8667.95
	<i>Solid</i>	<i>Lancet</i>	8667.98
	<i>Solid</i>	<i>Hook shaped</i>	8667.94
	<i>Solid</i>	<i>Sickle shaped</i>	8667.93

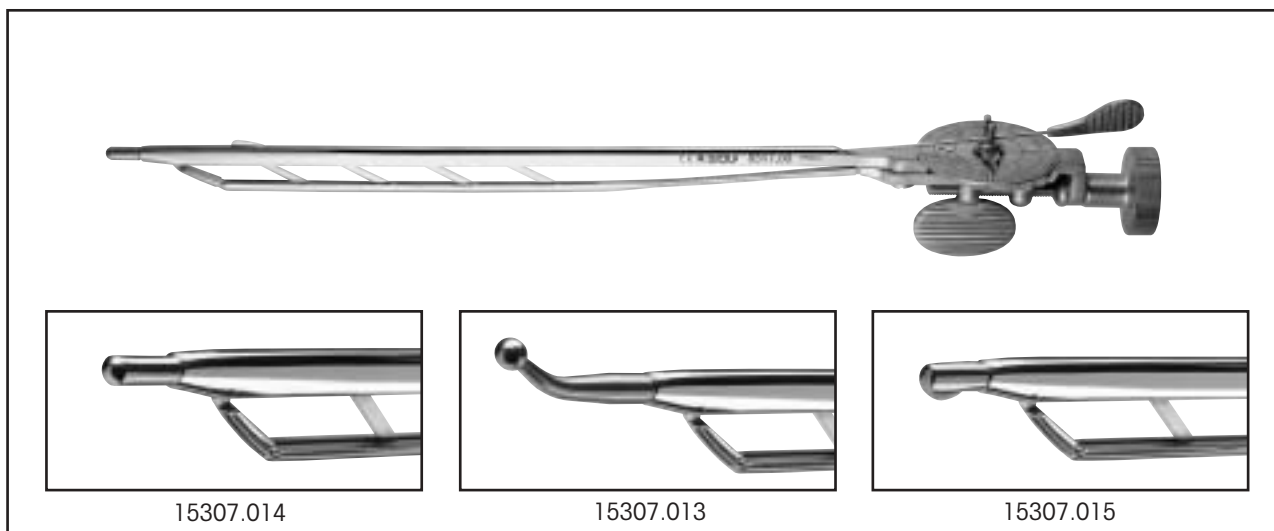
<i>Ceramic Stricture scalpel</i>	<i>Shaft</i>	<i>Blade Design</i>	<i>Type</i>
	<i>Solid</i>	<i>Half-moon</i>	8667.961
	<i>Hollow</i>	<i>Half-moon</i>	8667.966
	<i>Hollow</i>	<i>Shark-fin</i>	8667.971
	<i>Solid</i>	<i>Lancet</i>	8667.981



Protective Sterilization Tube
 holds 5 electrodes, or stricture scalpels,
 20 mm O.D., 328 mm length.....8428.901

Urethrotome

Non-optical





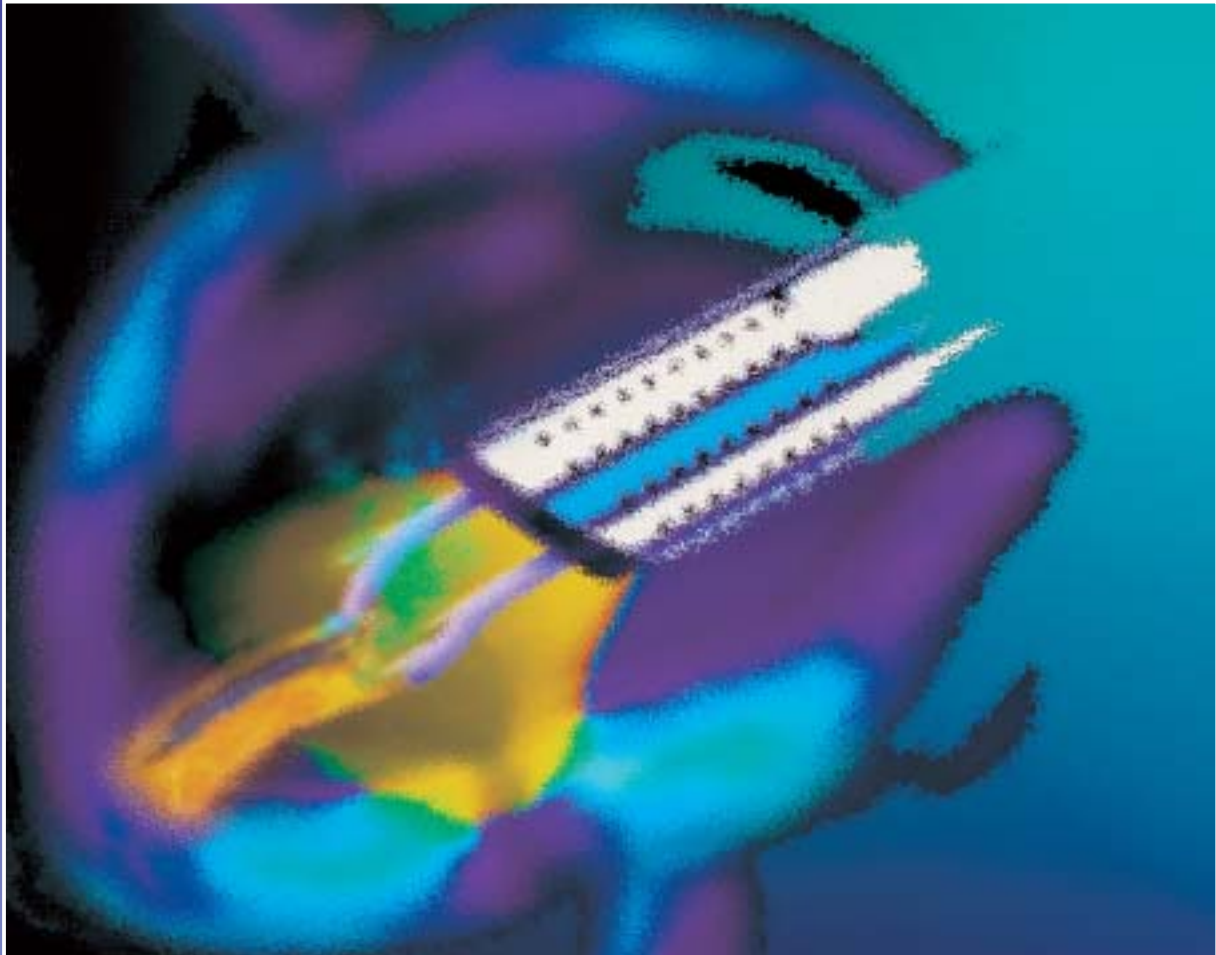
4

Instrument	Type
OTIS urethrotome <i>with 3 exchangeable tips (straight, angled and spherical)</i> <i>including 2 knives</i>	8517.00
Spare knife	8517.90

Bougie Urethrotomes

For slitting the female urethra and for meatus stenosis in males

Instrument	Fr.	Type
<p>Bougie urethrotomes</p> 	18	8586.18
	21	8586.21
	24	8586.24
	27	8586.27
	30	8586.30
	36	8586.36
<p>Knife <i>suitable for all bougie urethrotomes</i></p> 	—	8586.90



Resectoscopes

Resectoscopes

Resection techniques

0

1

2

Resectoscopes, 4 mm endoscope, 25°, 12°

3

Resectoscopes, 4 mm endoscope, 0°, 5°

4

Resectoscopes oval, 4 mm endoscope, 25°, 12°

5

Resectoscopes oval, 4 mm endoscope, 0°, 5°

6

*Resectoscopes small caliber
 3.3 mm endoscope, 25°*

7

*Resectoscopes small caliber
 3.3 mm endoscope, 0°*

8

*Resectoscopes long sheath
 4 mm endoscope, 25°*

9

10

Electrodes

11

HF Monopolar connecting cables

12

Obturator

13

Curettes for resectoscope sheaths

14

*Additional instrument combinations
 with 8654/8661 resectoscope sheaths*

15

Stopcocks, irrigation ring, tube connector etc.

16

Suprapubic aspiration set

17

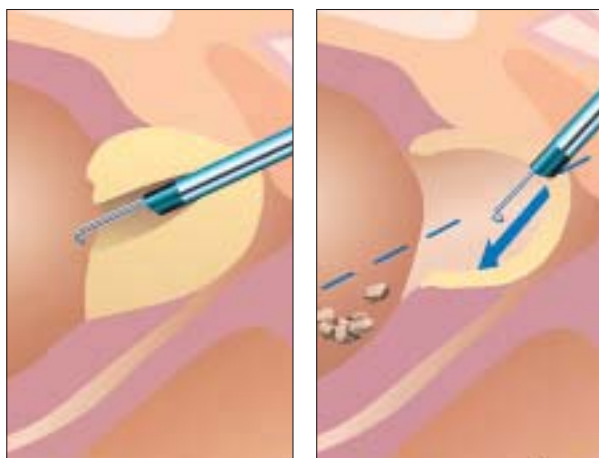
Roller suction pump 2207

18

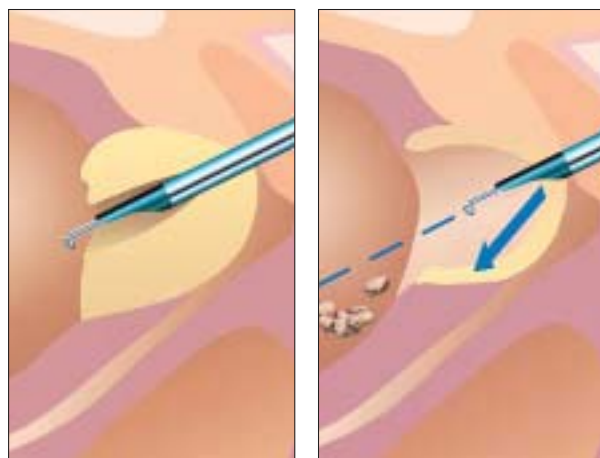
Instrument storage tray

19

Instruments for different Resection Techniques



0° PANOVIEW PLUS endoscopes with direct angle of view

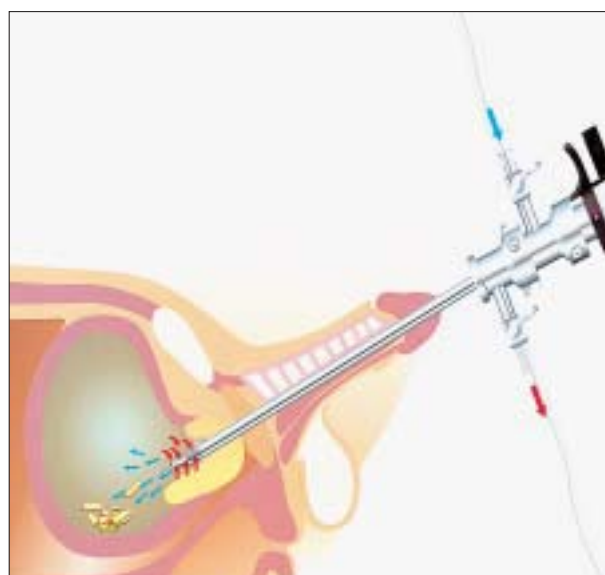


12° and 25° PANOVIEW PLUS endoscopes with oblique view



Suprapubic aspiration

Resectoscope with intermittent irrigation. To achieve a constant bladder pressure, aspiration is performed through a suprapubic cannula.



Continuous irrigation double-sheath system

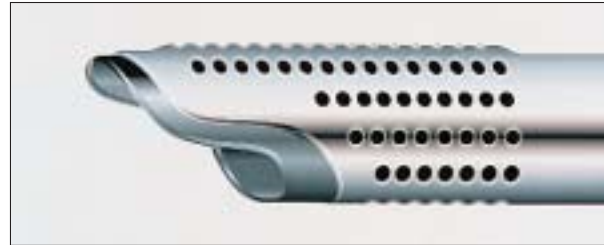
Resectoscope with continuous irrigation. This double sheath system allows continuous inflow through the inner sheath and simultaneous outflow through the outer sheath.

Instruments for Different Resection Techniques



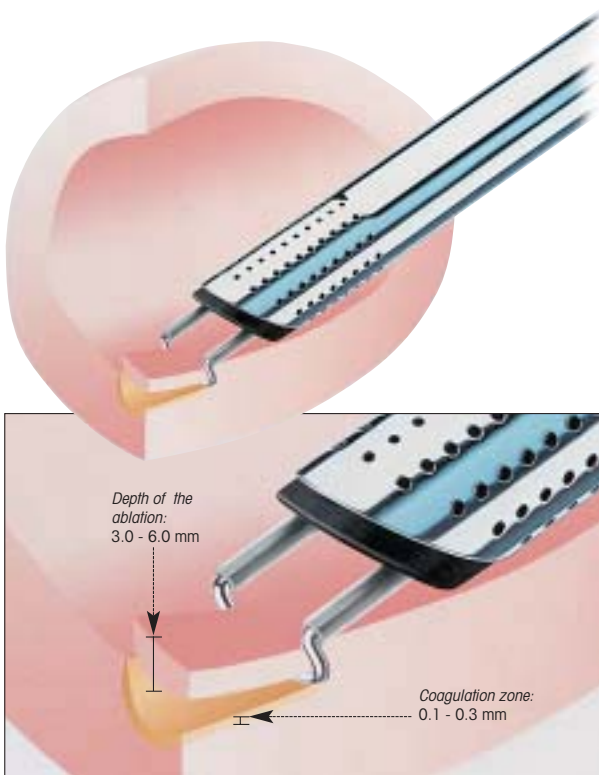
Sheaths with oblique distal tip

Sheaths with an oblique distal tip allow a clear view of the operating field during resection when using 0° / 5° and 12° / 25° PANOVIEW PLUS endoscopes.



Sheaths with a distal beak

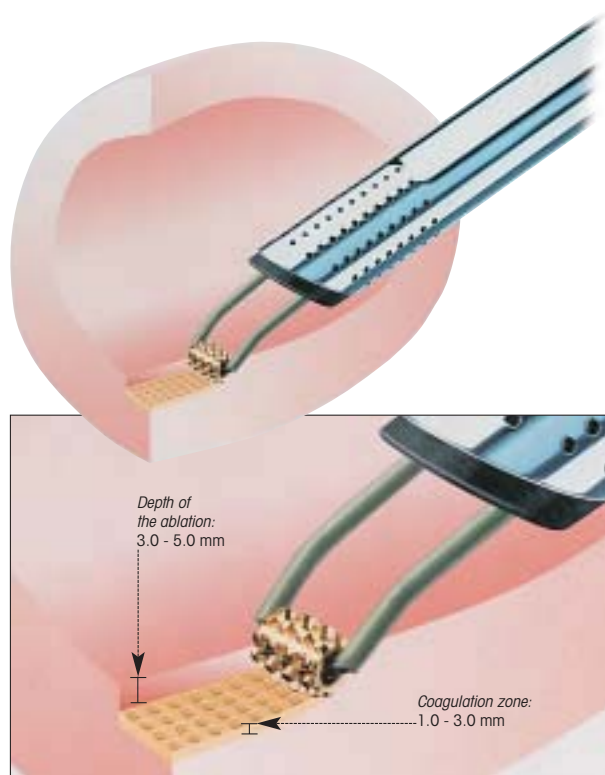
Sheaths with a distal beak only allow a clear view of the operating field during resection when a 25° PANOVIEW PLUS endoscope is used. The view is restricted with all other angles of view.



Electro Vaporisation

Resection with a EVAP loop electrode.

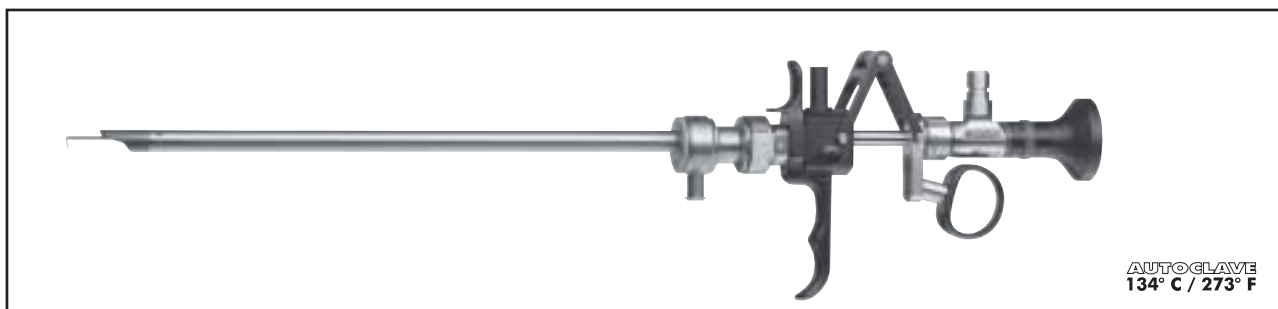
The depth of ablation is dependent on the diameter of the loop.





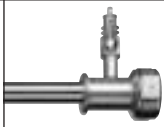





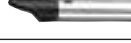


Ablation with a EVAP roller electrode.

The depth of ablation is dependent upon the excursion rate and wattage used.

E-line Resectoscopes
for 4 mm 25° & 12° Endoscopes
with intermittent irrigation



Endoscopes	∅	Viewing angle	Enlarged image and objective field
	4 mm	25°	8654.402
		12°	8654.411

Fr., Color code	Distal tip shape	Sheaths with distal ceramic insulation			Timberlake obturator	Cutting electrode (Sterile 10/box)
		Rotatable 4 mm irrigation ring	Fixed Luer tap	Central tap		
	* = non ceramic tip					
22 Fr. green		8654.064*	—	8663.064*	8654.66	8422.1310
		8654.014*	—	—	8654.61	8422.1310
24 Fr. yellow		8654.074	8661.074	8663.074	8654.67	8424.1310
		8654.024	8661.024	8663.024	8654.62	8424.1310
26 Fr. black		8654.084	8661.084	8663.084	8654.68	8426.1320
		8654.034	8661.034	8663.034	8654.63	8426.1320




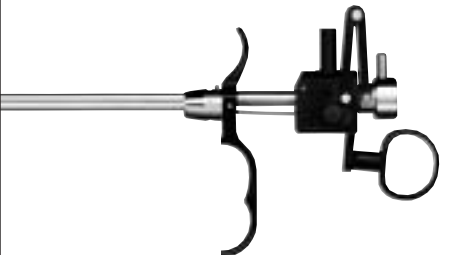

Optional 3 mm rotatable irrigation ring with shut-off valve...15209.042 S01 for rotatable irrigation sheaths

Further electrodes see page Res 11.2 & Res 11.3

Further obturators see page Res 13.1

HF connecting cable, 3M WL, Reusable,815.033 or 3M WL, Disposable, 10 / pkg.....415.0030


E-line Resectoscope Working Elements
for 4 mm, 25° & 12° Endoscopes

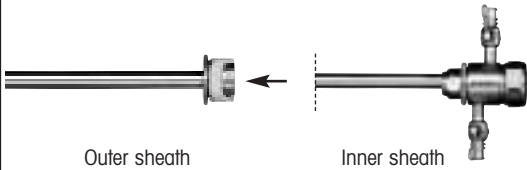






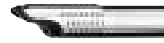
Working element	Handle type	Cutting action	Type
 Manual cutting action with spring-assisted release	Open	Active	8654.204
 Manual cutting action with spring-assisted release	Rotatable	Active	8654.234
 Manual cutting action with spring-assisted release	Open	Active	8654.254
 Spring-assisted cutting action	Open	Passive	8654.224
	Closed (not illustrated)	Passive	8654.225
 Manual cutting action by rack and pinion (Mc Carthy)	—	Rack and Pinion	8654.214

*E-line Resectoscopes
for 4 mm, 25° & 12° Endoscopes
with continuous-irrigation double-sheath system*



3

Endoscopes	∅	Viewing Angle	Enlarged image and objective field
	4 mm	25°	8654.402
		12°	8654.411

Fr., Color code	Distal tip shape	Sheaths, inner sheath with distal ceramic insulation	Timberlake obturator	Cutting electrode (Sterile 10/box)	
	* = non-ceramic tip	 <p>Outer sheath Inner sheath</p>			
25.5 Fr. green		8655.134	8655.144	8654.66	8422.1310
27 Fr. yellow		8655.174	8655.184	8654.67	8424.1310
		8655.074	8655.084	8654.62	8424.1310
28.9 Fr. black		8655.193	8655.194*	8654.68	8426.1320
		8655.093	8655.094*	8654.63	8426.1320




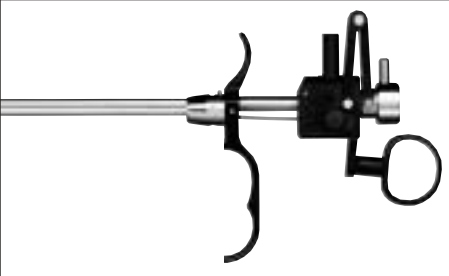

Further electrodes see page Res 11.2 & Res 11.3

Further obturators see page Res 13.1

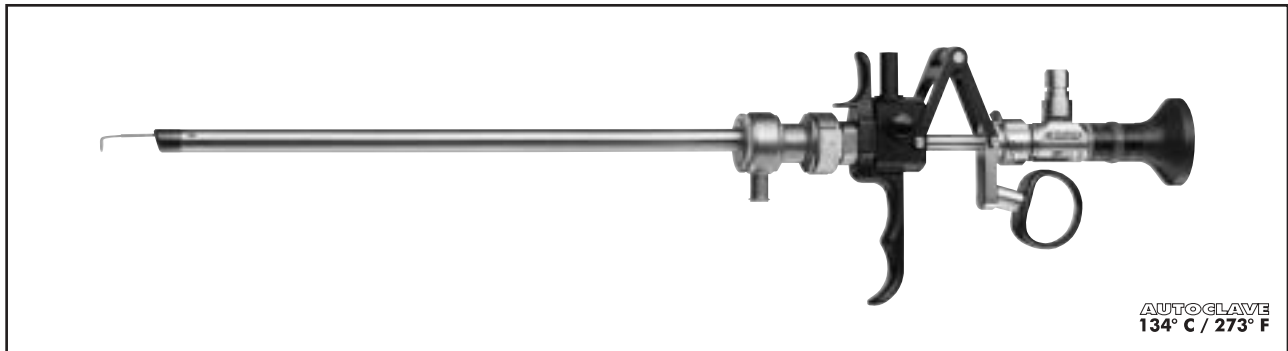
HF connecting cable, 3M WL, Reusable,815.033 or 3M WL, Disposable, 10 / pkg.....415.0030

E-line Resectoscope Working Elements
for 4 mm, 25° & 12° Endoscopes


3

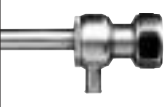
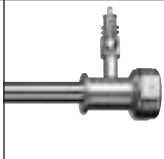
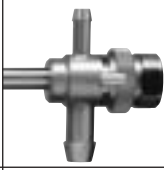





Working element	Handle type	Cutting action	Type
 Manual cutting action with spring-assisted release	Open	Active	8654.204
 Manual cutting action with spring-assisted release	Rotatable	Active	8654.234
 Manual cutting action with spring-assisted release	Open	Active	8654.254
 Spring-assisted cutting action	Open	Passive	8654.224
	Closed (not illustrated)	Passive	8654.225
 Manual cutting action by rack and pinion (Mc Carthy)	—	Rack and Pinion	8654.214

*E-line Resectoscope
for 4 mm, 0° Endoscope
with intermittent irrigation*



4

Endoscopes	∅	Viewing angle	Enlarged image and objective field
 <p>Fixed eyepiece</p>	4 mm	0°	8650.404

Fr., Color code	Distal tip shape	Sheaths with distal ceramic insulation			Obturator	Cutting electrode (Sold individually non-sterile)
		Rotatable 4 mm irrigation ring	Fixed Luer tap	Central tap		
	* = non-ceramic tip					
22 Fr. green		8654.064*	—	8663.064*	8654.16	8409.03
24 Fr. yellow		8654.074	8661.074	8663.074	8654.17	8411.03
26 Fr. black		8654.084	8661.084	8663.084	8654.18	8412.032

Optional 3 mm rotatable irrigation ring with shut-off valve...15209.042 S01 for rotatable irrigation sheaths

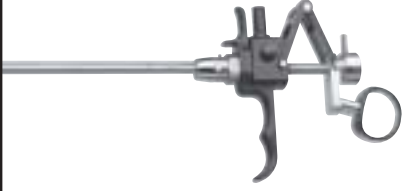

Further electrodes see page Res 11.4 & Res 11.5

Further obturators see page Res 13.1

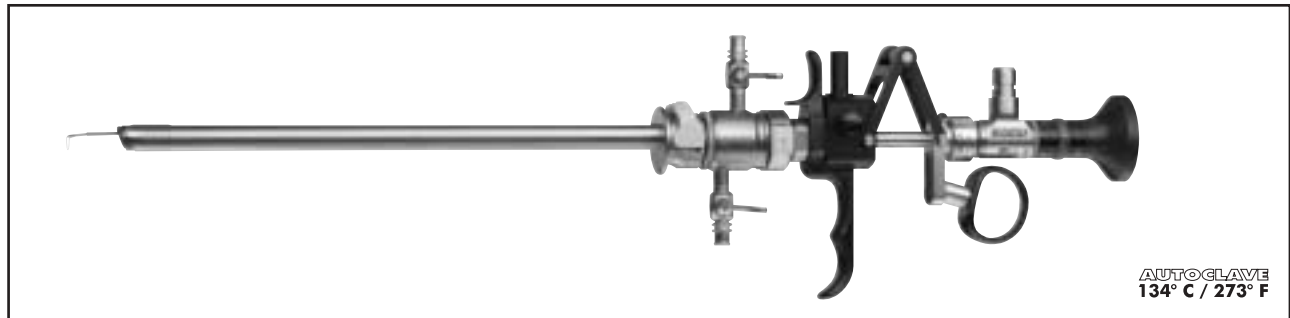
HF connecting cable, 3M WL, Reusable,815.033 or 3M WL, Disposable, 10 / pkg.....415.0030

E-line Resectoscope Working Elements
for 4 mm, 0° Endoscope


4


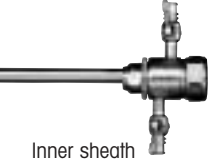




Working element	Handle type	Cutting action	Type
 <p data-bbox="139 772 571 806"><i>Manual cutting action with spring-assisted release</i></p>	<p data-bbox="727 640 779 667"><i>Open</i></p>	<p data-bbox="1026 640 1084 667"><i>Active</i></p>	<p data-bbox="1269 640 1377 667">8661.204</p>
 <p data-bbox="139 1071 397 1102"><i>Spring-assisted cutting action</i></p>	<p data-bbox="722 940 787 968"><i>Closed</i></p>	<p data-bbox="1019 940 1091 968"><i>Passive</i></p>	<p data-bbox="1269 940 1377 968">8661.225</p>

E-line Resectoscopes
for 4 mm, 0° Endoscope
with continuous-irrigation double-sheath system



4

Endoscopes	∅	Viewing angle	Enlarged image and objective field
 <p>Fixed eyepiece</p>	4 mm	0°	8650.404

Fr., Color code	Distal tip shape	Sheaths, inner sheath with distal ceramic insulation		Obturator	Cutting electrode (Sold individually non-sterile)
	* = non ceramic tip	 Outer sheath	 Inner sheath		
27 Fr. yellow		8655.174	8655.184	8654.17	8411.03
28.9 Fr. black		8655.193	8655.194*	8654.18	8412.03

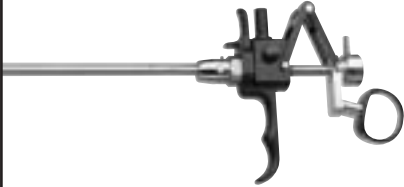
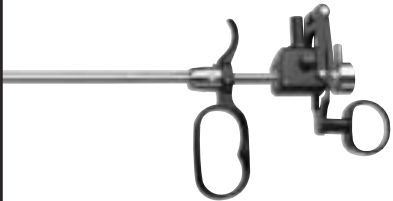
Further electrodes see page Res 11.4 & Res 11.5

Further obturators see page Res 13.1

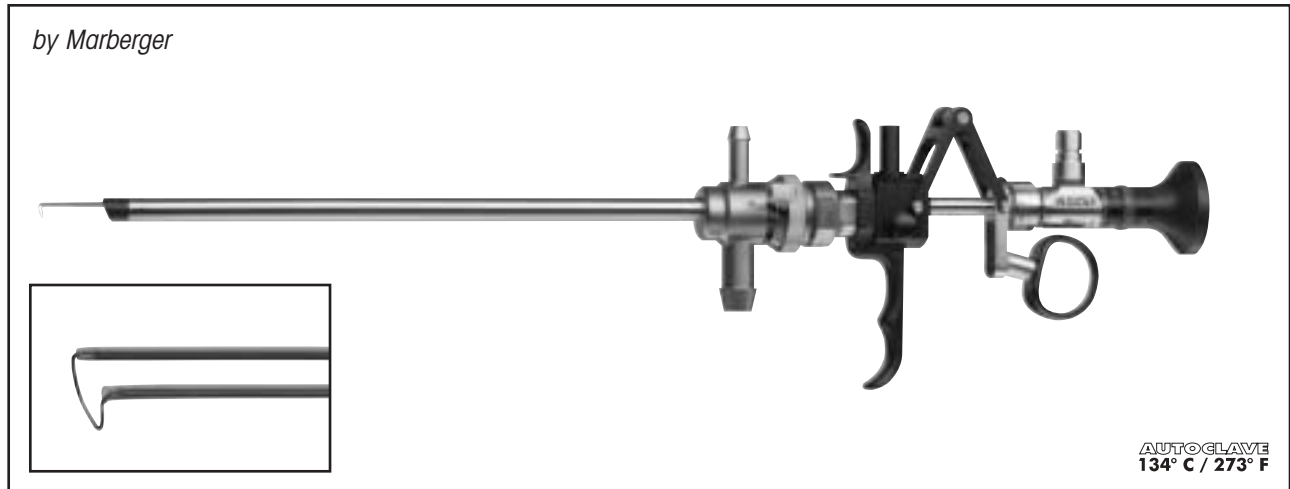
HF connecting cable, 3M WL, Reusable,815.033 or 3M WL, Disposable, 10 / pkg.....415.0030

E-line Resectoscope Working Elements
 for 4 mm, 0° Endoscope


4






Working element	Handle type	Cutting action	Type
 <p data-bbox="136 768 570 804"><i>Manual cutting action with spring-assisted release</i></p>	<p data-bbox="727 638 776 667"><i>Open</i></p>	<p data-bbox="1024 638 1081 667"><i>Active</i></p>	<p data-bbox="1268 638 1370 667">8661.204</p>
 <p data-bbox="136 1073 396 1100"><i>Spring-assisted cutting action</i></p>	<p data-bbox="721 940 786 970"><i>Closed</i></p>	<p data-bbox="1019 940 1089 970"><i>Passive</i></p>	<p data-bbox="1268 940 1370 970">8661.225</p>

E-line Oval Wide-Path Resectoscope
For 4 mm, 25° & 12° Endoscopes
with intermittent irrigation



5

Endoscopes	∅	Viewing angle	Enlarged image and objective field
	4 mm	25°	8654.402
		12°	8654.411

Fr., Color code	Distal tip shape	Sheaths with distal ceramic insulation		Obturator	Cutting electrode (Sterile, 10/box)
		Rotatable 4 mm irrigation ring	Central tap		
					
25.5 Fr. yellow		8658.054	8657.054	8658.151	8426.3510

Further electrodes see page Res 11.2 & Res 11.3

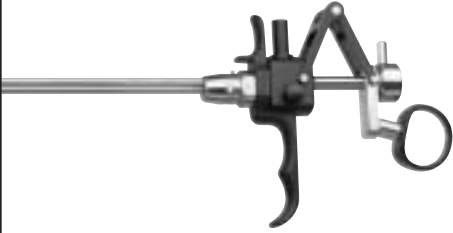

Further obturators see page Res 13.1

HF connecting cable... 815.033

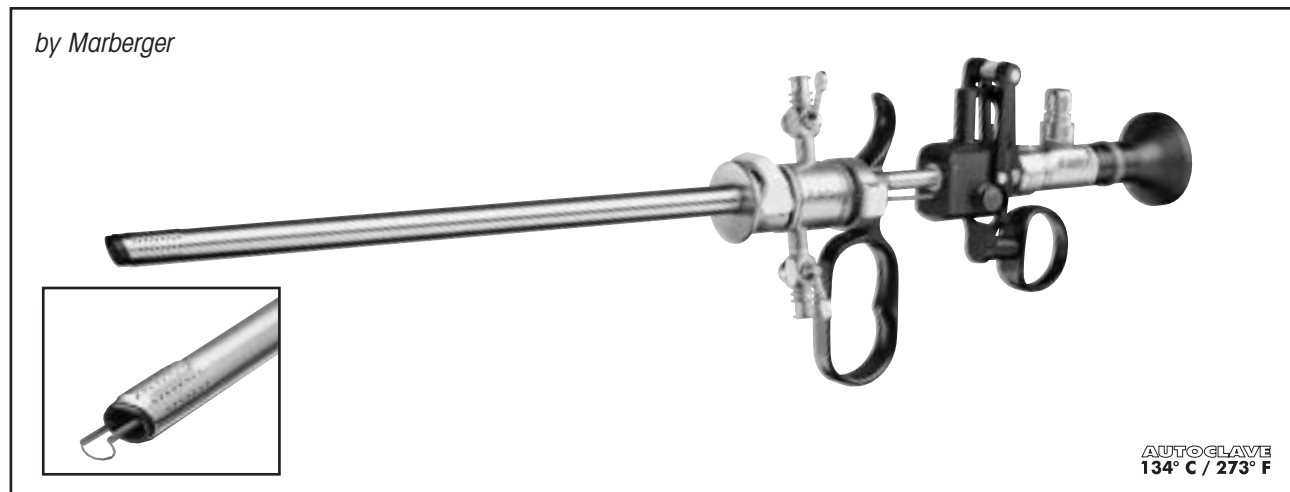
HF connecting cable, 3M WL, Reusable,815.033 or 3M WL, Disposable, 10 / pkg.....415.0030

E-line Resectoscope Working Elements
 for 25.5 Fr. Oval Wide-Path resectoscope by Marberger,
 for 4 mm, 25° & 12° Endoscopes

5

Working element	Handle type	Cutting action	Type
 <p>Manual cutting action with spring-assisted release</p>	Open	Active	8657.204
 <p>Spring-assisted cutting action</p>	Closed	Passive	8657.225

E-line Oval Wide-Path Resectoscope
For 4 mm, 25° & 12° Endoscopes
with continuous-irrigation double-sheath system



5

Endoscopes	∅	Viewing angle	Enlarged image and objective field
 Fixed eyepiece	4 mm	25°	8654.402
		12°	8654.411

Fr., Color code	Distal tip shape	Sheaths, inner sheath with distal ceramic insulation	Timberlake obturator	Cutting electrode (Sterile, 10/box)
		 Outer sheath Inner sheath		
27 Fr. white		8658.074 8658.084	8658.194	8424.3510




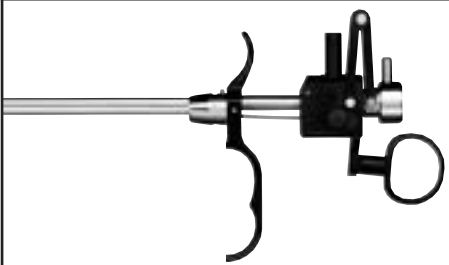
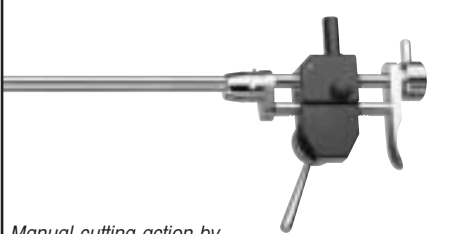
Further electrodes see page Res 11.6 & Res 11.7

Further obturators see page Res 13.2

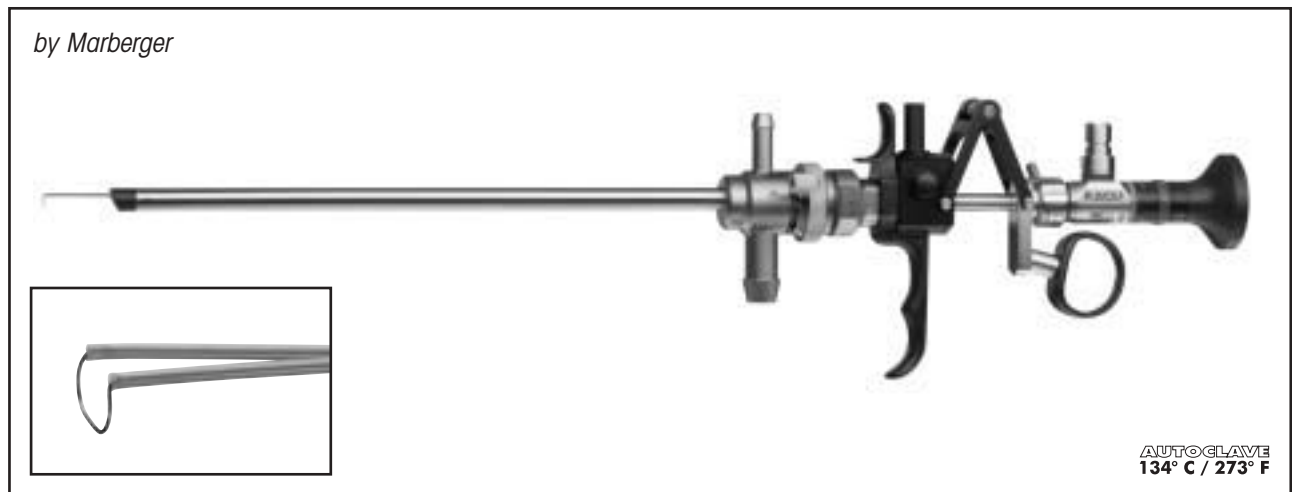
HF connecting cable, 3M WL, Reusable,815.033 or 3M WL, Disposable, 10 / pkg.....415.0030

E-line Resectoscope Working Elements
for 27 Fr. CF Oval Wide-Path resectoscope by Marberger,
for 4 mm, 25° & 12° Endoscopes


5


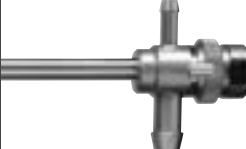



Working element	Handle type	Cutting action	Type
 Manual cutting action with spring-assisted release	Open	Active	8654.204
 Manual cutting action with spring-assisted release	Rotatable	Active	8654.234
 Manual cutting action with spring-assisted release	Open	Active	8654.254
 Spring-assisted cutting action	Open	Passive	8654.224
	Closed (not illustrated)	Passive	8654.225
 Manual cutting action by rack and pinion (Mc Carthy)	—	Rack and Pinion	8654.214

E-Line Oval Wide-Path Resectoscope
For 4 mm, 0° Endoscope
with intermittent irrigation



6

Endoscopes	∅	Viewing angle	Enlarged image and objective field
	4 mm	0°	8650.404

Fr., Color code	Distal tip shape	Sheaths with distal ceramic insulation		Obturator	Cutting electrode (Sold individually Non-sterile)
		Rotatable 4 mm irrigation ring	Central tap		
					
25.5 Fr. yellow		8658.054	8657.054	8658.151	8412.351

Further electrodes see page Res 11.6 & Res 11.7



Further obturators see page Res 13.2

HF connecting cable, 3M WL, Reusable,815.033 or 3M WL, Disposable, 10 / pkg.....415.0030

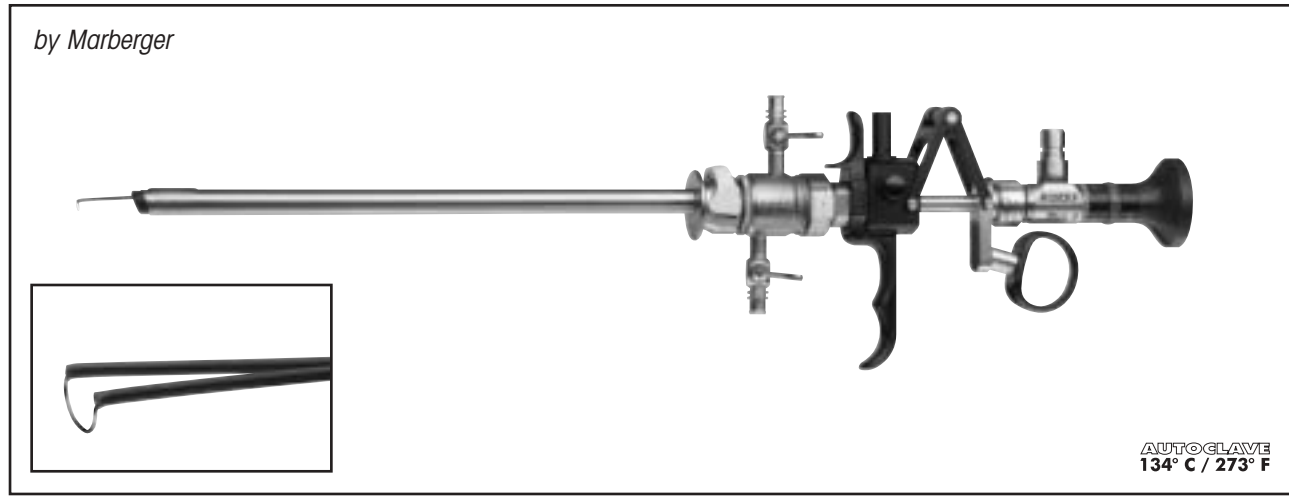
Optional 3 mm rotatable irrigation ring with shut-off valve...15209.042 S01 for rotatable irrigation sheaths

E-line Resectoscope Working Elements

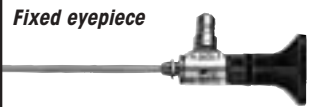
For 25.5 Fr. Oval Wide-Path resectoscope by Marberger,
for 4 mm, 0° Endoscope

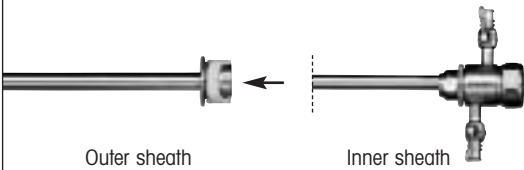



Working Element	Handle type	Cutting action	Type
 <p><i>Manual cutting action with spring-assisted release</i></p>	Open	Active	8658.204
 <p><i>Spring-assisted cutting action</i></p>	Closed	Passive	8658.225

E-line Oval Wide-Path Resectoscope
For 4 mm, 0° Endoscope
with continuous-irrigation double-sheath system



6

Endoscopes	∅	Viewing angle	Enlarged image and objective field
 Fixed eyepiece	4 mm	0°	8650.404

Fr., Color code	Distal tip shape	Sheaths, inner sheath with distal ceramic insulation	Obturator	Cutting electrode (Sold individually Non-sterile)
		 Outer sheath Inner sheath		
27 Fr. white		8658.074	8658.084	8658.174
		8658.084	8658.174	8411.351

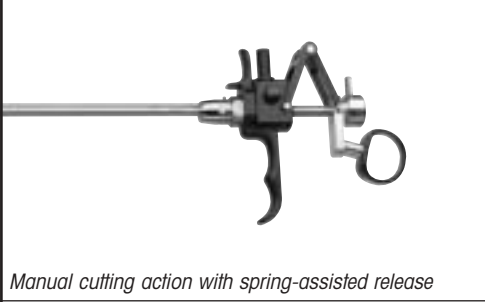
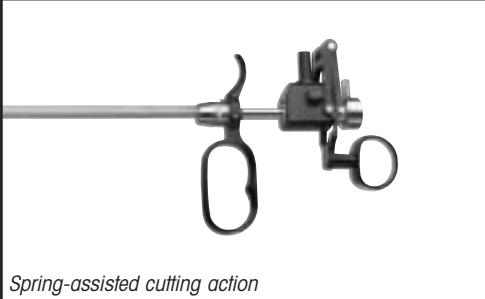
Further electrodes see page Res 11.4 & Res 11.5

Further obturators see page Res 13.2

HF connecting cable... 815.033

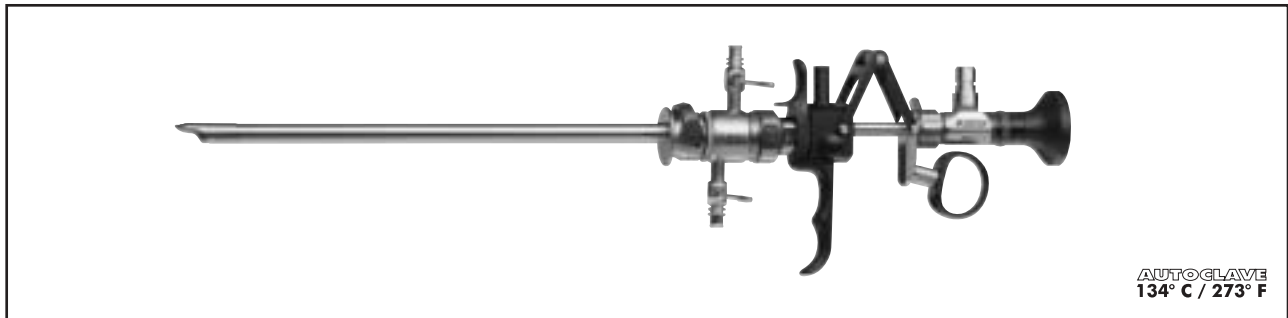
E-line Resectoscope Working Elements

For 27 Fr. CF Oval Wide-Path resectoscope by Marberger,
for 4 mm, 0° Endoscope


Working element	Handle type	Cutting action	Type
 <p>Manual cutting action with spring-assisted release</p>	Open	Active	8661.204
 <p>Spring-assisted cutting action</p>	Closed	Passive	8661.225

E-line Resectoscope

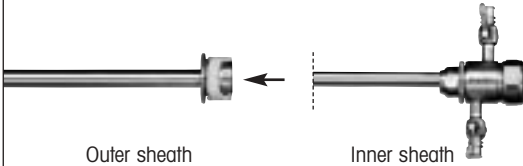




For 3.3 mm, 25° Endoscope
with continuous-irrigation double-sheath system



AUTOCLAVE
134° C / 273° F

Endoscope	∅	Viewing angle	Enlarged image and objective field
With fixed eyepiece 	3.3 mm	25°	8656.411

7

Fr., Color code	Distal tip shape	Sheaths, inner sheath with distal ceramic insulation	Obturator	Cutting electrode (sterile, 10/pkg)	
		 <p>Outer sheath Inner sheath</p>			
24 Fr. yellow		8656.074	8656.077	8656.17	8656.8010
24 Fr. blue		8656.034	8656.037	8656.13	8656.8010


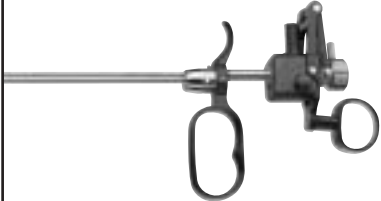
The resectoscope for the 3.3 mm ∅ endoscope has proved useful for the resection of small prostatic adenomas and for reinterventions. Resection in the region of the bladder neck and tumor dissection can also be performed with the instrument.

Further electrodes see page Res 11.8 & Res 11.9

Further obturators see page Res 13.2

HF connecting cable, 3M WL, Reusable,815.033 or 3M WL, Disposable, 10 / pkg.....415.0030

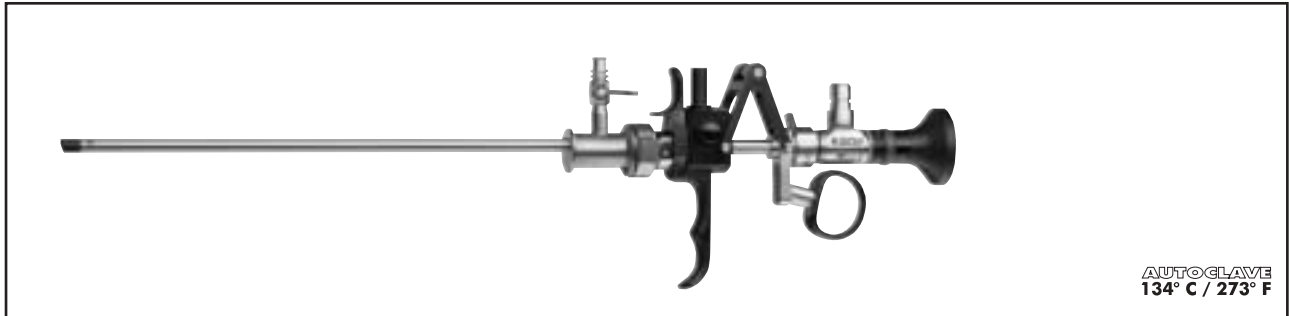
E-line Resectoscope Working Elements
For 3.3 mm, 25° Endoscope


<i>Working element</i>	<i>Handle type</i>	<i>Cutting action</i>	<i>Type</i>
 <p data-bbox="131 772 565 804"><i>Manual cutting action with spring-assisted release</i></p>	<p data-bbox="727 638 776 669"><i>Open</i></p>	<p data-bbox="1024 638 1073 669"><i>Active</i></p>	<p data-bbox="1263 638 1365 669">8656.204</p>
 <p data-bbox="131 1073 391 1100"><i>Spring-assisted cutting action</i></p>	<p data-bbox="716 940 776 972"><i>Closed</i></p>	<p data-bbox="1013 940 1073 972"><i>Passive</i></p>	<p data-bbox="1263 940 1365 972">8656.225</p>





7


E-line Resectoscope

For 3.3 mm, 0° Endoscope
with intermittent irrigation



Endoscope	∅	Viewing angle	Enlarged image and objective field
	3.3 mm	0°	8660.411

Fr.	Distal tip shape	Sheath with distal insulation Rotatable 4 mm irrigation ring	Obturator	Cutting electrode (Sold individually non-sterile)
	* = non ceramic Tip			
16 Fr.		8666.024*	15016.333	8418.03

Stricture scalpel	Type
Special accessory for cold cutting of urethral strictures 	8666.28

For the incision of urethral stenoses. Also suitable for adolescents.

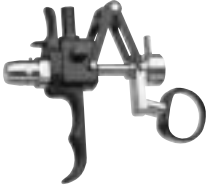

Further electrodes see page Res 11.8 & Res 11.9

Further obturators see page Res 13.2

HF connecting cable, 3M WL, Reusable,815.033 or 3M WL, Disposable, 10 / pkg.....415.0030

Optional 3 mm rotatable irrigation ring with shut-off valve...15209.042 S01 for rotatable irrigation sheaths

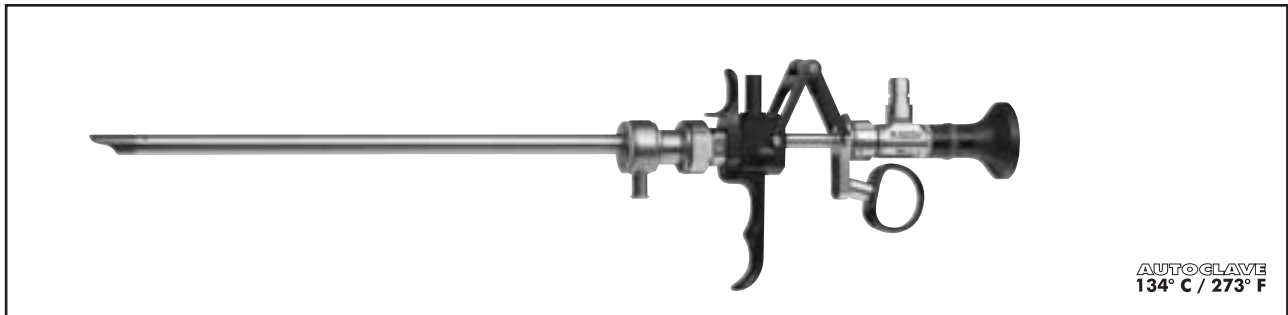
E-line Resectoscope Working Elements
For 3.3 mm, 0° Endoscope


Working element	Handle type	Cutting action	Type
 <p>Manual cutting action with spring-assisted release</p>	Open	Active	8666.204
 <p>Spring-assisted cutting action</p>	Closed	Passive	8666.225






E-line Long Sheath Resectoscope

For 4 mm, 25° Endoscope

With intermittent irrigation



Endoscope	∅	Viewing angle	Standard image
	4 mm	25°	8668.433

Fr., Color code	Distal tip shape	Sheaths with distal ceramic insulation Rotatable 4 mm irrigation ring	Obturator	Cutting electrode (Sold individually, non-sterile)
				
24 Fr. yellow		8668.024	8668.12	8439.03
26 Fr. black		8668.034	8668.13	8441.032



Optional 3 mm rotatable irrigation ring with shut-off valve...15209.042 S01 for rotatable irrigation sheaths

Further electrodes see page Res 11.10

Further obturators see page Res 13.2

HF connecting cable... 815.033

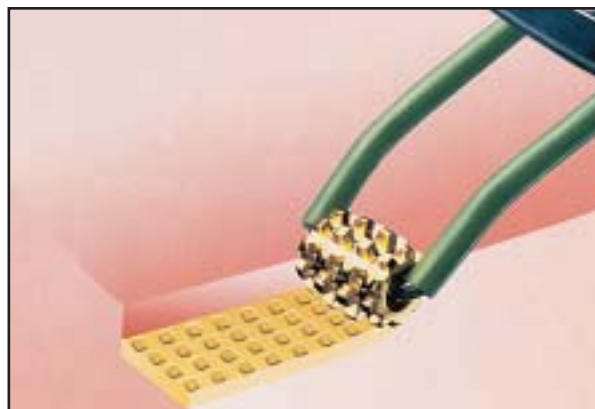
E-line Long Resectoscope Working Elements
 for 4 mm, 25° Long Endoscope

Working element	Handle type	Cutting action	Type
 <p data-bbox="131 764 565 793"><i>Manual cutting action with spring-assisted release</i></p>	<p data-bbox="727 638 776 667"><i>Open</i></p>	<p data-bbox="1024 638 1073 667"><i>Active</i></p>	<p data-bbox="1263 638 1365 667">8668.204</p>
 <p data-bbox="131 1066 391 1096"><i>Spring-assisted cutting action</i></p>	<p data-bbox="719 940 776 970"><i>Closed</i></p>	<p data-bbox="1016 940 1073 970"><i>Passive</i></p>	<p data-bbox="1263 940 1365 970">8668.225</p>

Electrodes



Standard 0.3 - 0.4 mm loop electrodes
and electrodes with a wire caliber of 0.8 mm for vaporization cutting and obtaining specimens for pathology.



Barrel-shaped roller EVAP electrodes
for tissue vaporization and coagulation.

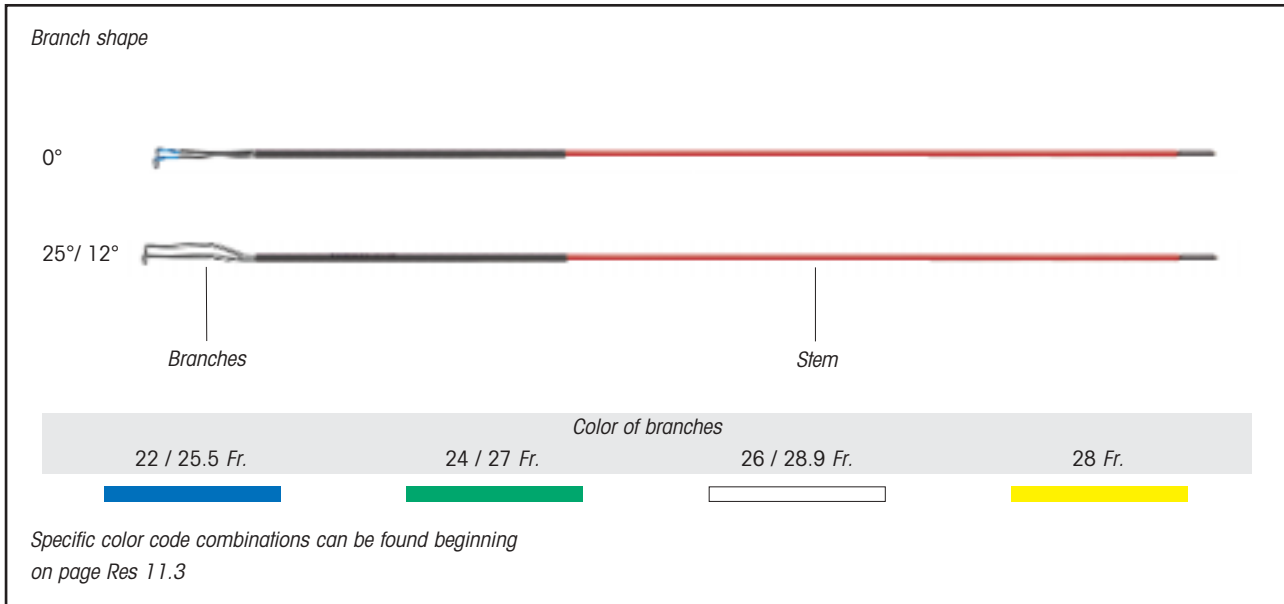
RICHARD WOLF produces electrodes specially adapted to the anatomy and to specialized therapeutic methods for all applications.

The quality and effectiveness of various types and shapes of electrodes have been proven time and again in countless interventions.

Use original RICHARD WOLF "electrodes and instruments" to ensure optimum results and guarantee safety for both patient and surgeon.

The color coding of the branches and stem allows immediate and reliable recognition of the most important properties of the electrodes: the cutting loop size and wire thickness.

Electrodes



Guide for cutting loop electrodes:
 0.3 mm wire for papillary tumors
 0.35 mm wire for both tumors and adenomas
 0.4 mm wire for adenoma

11



Protective Sterilization Sleeve
 for a maximum of 5 electrodes, or urethrotome stricture scalpels,
 20 mm O.D., 328 mm length.....8428.901

Electrodes

For Resectoscopes, 4 mm

25° & 12° Endoscopes




For sheath		22 Fr.	24 Fr.	26 Fr.	28 Fr.
For continuous-irrigation sheath		25 Fr.	27 Fr.	28.9 Fr.	
Cutting electrode (0.3 mm wire) Sterile, 10/box	Branches	blue	green	white	—
	Type	8422.1310	8424.1310	8426.1320*	N/A
	Stem	red	red	red	—
Cutting electrode (0.35 or 0.4 mm wire) Sterile, 10/box	Branches	blue	green	white	yellow
	Type	8422.3510	8424.1410	8426.1420*	8428.3510*
	Stem	red	blue	blue	blue
Straight cutting electrode Sterile, 5/box	Branches	blue		white	
	Type	8423.0405		8427.0425*	
	Stem	blue		blue	
Roller bar coagulating electrode Sterile, 5/box	Branches	blue		white	
	Type	8423.0205		8427.0225*	
	Stem	red		red	
Large roller egg electrode Sterile, 5/box	Branches	blue		blue	
	Type	8423.0235		8423.0235	
	Stem	blue		blue	
Smaller roller ball electrode Sterile, 5/box	Branches	blue		blue	
	Type	8422.4355		8422.4355	
	Stem	red		red	
Coagulating electrode Sterile, 5/box	Branches	blue		white	
	Type	8423.0105		8427.0125*	
	Stem	blue		blue	
Hook electrode Sterile, 5/box	Branches	blue		white	
	Type	8423.0905		8427.0925*	
	Stem	red		red	
Collins knife electrode Sterile, 5/box	Branches	blue		white	
	Type	8423.1905		8427.1925*	
	Stem	red		red	

*Electrode with guide fins for better stabilization.

EVAP Electrodes gold plated

For Resectoscopes, 4 mm,









25° & 12° Endoscopes

For sheath		22 Fr.	24 Fr.	26 Fr.	28 Fr.
For continuous-irrigation sheath		25 Fr.	27 Fr.	28.9 Fr.	—
Barrel-shaped, roller electrode  Sterile, 5/box	Branches	—	green		
	Type	8423.0315			
	Stem	—	blue		
Pyramid-shaped, electrode  Sterile, 5/box	Branches	—	green		
	Type	—	8423.1315		
	Stem	—	blue		
Wing electrode, for combined cutting and vaporization  Sterile, 10/box	Branches	blue	green	white	—
	Type	8422.1510	8424.1510	8426.1510	—
	Stem	blue	blue	blue	—

11

Electrodes

For Resectoscopes, 4 mm,
0° Endoscope


For sheath		22 Fr.	24 Fr.	26 Fr.	28 Fr.
For continuous-irrigation sheath		25 Fr.	27 Fr.	28.9 Fr.	—
Cutting electrode (loop 0.3 mm wire) 	Branches	blue	green	white	—
	Type	8409.03	8411.03	8412.032*	—
	Stem	red	red	red	—
Cutting electrode (loop 0.4 mm wire) 	Branches	blue	green	white	—
	Type	8409.04	8411.04	8412.04	—
	Stem	blue	blue	blue	—
Straight cutting electrode 	Branches	blue			
	Type	8410.04			
	Stem	blue			
Large roller coagulating electrode 	Branches	blue			white
	Type	8410.02			8413.02
	Stem	red			red
Coagulating electrode 	Branches				
	Type	8407.01			
	Stem	blue			
Hook electrode 	Branches				
	Type	8420.09			
	Stem	red			
Coagulating ball electrode 	Branches				
	Type	8408.02			
	Stem	blue			
Collins knife electrode 	Branches				
	Type	8420.19			
	Stem	blue			

* Electrode with guide fins for better stabilization. All electrodes on this page are supplied non-sterile and are intended for single patient use only.

EVAP Electrodes gold plated

For Resectoscopes, 4 mm,

0° Endoscopes




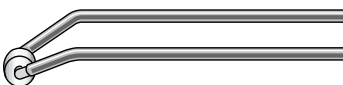



For sheath		22 Fr.	24 Fr.	26 Fr.	28 Fr.
For continuous-irrigation sheath		25 Fr.	27 Fr.	28.9 Fr.	—
	Branches	—	green		
	Type	—	8410.031*		
	Stem	—	blue		
	Branches	—	green		
	Type	—	8407.131*		
	Stem	—	blue		
	Branches	blue	green	white	—
	Type	TBA	8411.151*	8412.151*	—
	Stem	blue	blue	blue	—

* All electrodes on this page are supplied non-sterile, and are intended for single patient use only.

Electrodes

For oval wide-path resectoscopes by Marberger

With 4 mm Endoscopes

For sheath		25.5 Fr. Non-CFR		27 Fr. CFR	
For endoscope		25° / 12°	0°	25° / 12°	0°
Cutting electrode (loop 0.35 mm wire) 	Branches	green	green	red	green
	Type	8426.3510*	8412.351***	8424.3510*	8412.351***
	Stem	red	red	red	red
Large roller coagulating electrode 	Branches	blue	blue	blue	blue
	Type	8423.0205**	8410.02***	8423.0205**	8410.02***
	Stem	red	red	red	red
Large roller egg electrode 	Branches	blue	—	blue	—
	Type	8423.0235**	—	8423.0235**	—
	Stem	blue	—	blue	—
Smaller roller ball electrode 	Branches	blue	—	blue	—
	Type	8422.4355**	—	8422.4355**	—
	Stem	red	—	red	—
Coagulating electrode 	Branches	blue	—	blue	—
	Type	8423.0105**	8407.01***	8423.0105**	8407.01***
	Stem	blue	blue	blue	blue
Hook electrode 	Branches	blue	—	blue	—
	Type	8423.0905**	8420.09***	8423.0905**	8420.09***
	Stem	red	red	red	red
Coagulating ball electrode 	Branches	—	—	—	—
	Type	—	8408.02***	—	8408.02***
	Stem	—	blue	—	blue

Note:



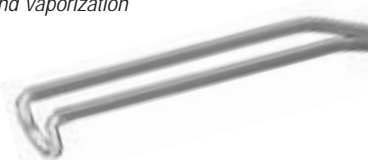
24 Fr. standard loops can be used if necessary

* Supplied sterile, 10/box

** Supplied sterile, 5/box

*** Supplied non-sterile, and intended for single patient use only

EVAP Electrodes gold plated
For oval wide-path resectoscopes by Marberger
4 mm Endoscopes

For sheath		25.5 Fr. Non-CFR		27 Fr. CFR	
For endoscope		25° / 12°	0° / 5°	25° / 12°	0° / 5°
 Barrel-shaped, roller electrode Sterile, 5/box	Branches	green	green	green	green
	Type	8423.0315**	8410.031***	8423.0315***	8410.031***
	Stem	blue	blue	blue	blue
 Pyramid-shaped, electrode Sterile, 5/box	Branches	green	green	green	green
	Type	8423.1315**	8407.131***	8423.1315**	8407.131***
	Stem	blue	blue	blue	blue
 Wing electrode, for combined cutting and vaporization Sterile, 10/box	Branches	green	green	red	green
	Type	8426.4510*	8412.451***	8424.4510*	8412.451***
	Stem	blue	blue	blue	blue

*Supplied sterile, 10/box






**Supplied sterile, 5/box

***Supplied non-sterile, and intended for single patient use only

11

Electrodes

For resectoscopes, 3.3 mm endoscopes

For sheath		21.5 Fr.	16 Fr.
For continuous-irrigation sheath		24 Fr.	—
For endoscope		25°	0°
Cutting electrode (loop 0.35 mm wire) 	Branches	red	yellow
	Type	8656.8010*	8418.0310*
	Stem	red	yellow
Coagulating electrode 	Branches	—	—
	Type	—	8417.0105**
	Stem	—	blue
Hook electrode 	Branches	—	—
	Type	—	8417.0905**
	Stem	—	yellow
Coagulating ball electrode 	Branches	red	—
	Type	8656.8025**	—
	Stem	red	—
Collins knife electrode 	Branches	red	—
	Type	8656.8035**	—
	Stem	red	—


* Supplied sterile, 10/box


** Supplied sterile, 5/box

EVAP Electrodes gold plated

For resectoscopes, 3.3 mm,

25° Endoscope

For sheath		21.5 Fr.	24 Fr.
For continuous-irrigation sheath		24 Fr.	27 Fr.
	Branches	red	
	Type	8656.8515**	
	Stem	blue	



	Branches	red	—
	Type	8656.8050*	—
	Stem	blue	—

* Supplied sterile, 10/box

** Supplied sterile, 5/box

Electrodes

For resectoscopes, 4 mm,
 25°, long sheath endoscope

<i>For sheath</i>		24 Fr.	26 Fr.
<i>For continuous-irrigation sheath</i>		27 Fr.	28.9 Fr.
 <p>Cutting electrode (loop 0.3 mm wire)</p>	<i>Branches</i>	<i>green</i>	<i>white</i>
	<i>Type</i>	8439.03	8441.032
	<i>Stem</i>	<i>red</i>	<i>red</i>
 <p>Cutting electrode (loop 0.4 mm wire)</p>	<i>Branches</i>	<i>green</i>	—
	<i>Type</i>	8439.04	—
	<i>Stem</i>	<i>blue</i>	—








Note: Above electrodes are supplied non-sterile and are intended for single patient use only.

HF Monopolar Connecting Cables

<i>Instrument fitting</i>	<i>Unit Fitting</i>	<i>Length</i>	<i>Types</i>
WOLF - Resectoscopes 	 ERBE T-Series	3 m	815.132
		5 m	815.152
	 Bovie / Valleylab / Erbe Int.	3 m	815.033
		3 m	415.0030*
		5 m	815.053
WOLF Instruments 	 ERBE T-Series	3 m	8106.132
		3 m	4106.1320*
		5 m	8106.152
	 Bovie / Valleylab / Erbe Int.	3 m	8106.033
		3 m	4106.0330*
		5 m	8106.053








* Sterile, disposable, single patient use, HF connection cable, 10/pkg

Obturator

For resectoscope	Fr.	Sheaths				Obturator		
		Intermittent irrigation		Continuous irrigation		Standard	Timberlake	For insertion of the sheath under vision *
		Beak distal tip	Oblique distal tip	Beak distal tip	Oblique distal tip			
								
Standard	22	8654.014	—	—	—	8654.11	8654.61	8415.01
		—	8654.064 8663.064	—	—	8654.16	8654.66	8415.11
	24	8654.024 8661.024 8663.024	—	—	—	8654.12	8654.62	8415.02
		—	8654.074 8661.074 8663.074	—	—	8654.17	8654.67	8415.12
	25.5	—	—	—	8655.134 and 8655.144	8654.16	8654.66	8415.11
	26	8654.034 8661.034 8663.034	—	—	—	8654.13	8654.63	8415.03
		—	8654.084 8661.084 8663.084	—	—	8654.18	8654.68	8415.13
	27	—	—	8655.074 and 8655.084	—	8654.12	8654.62	8415.02
		—	—	—	8655.174 and 8655.184	8654.17	8654.67	8415.12

* Accepts 12°, 25° and 70° 4mm endoscopes

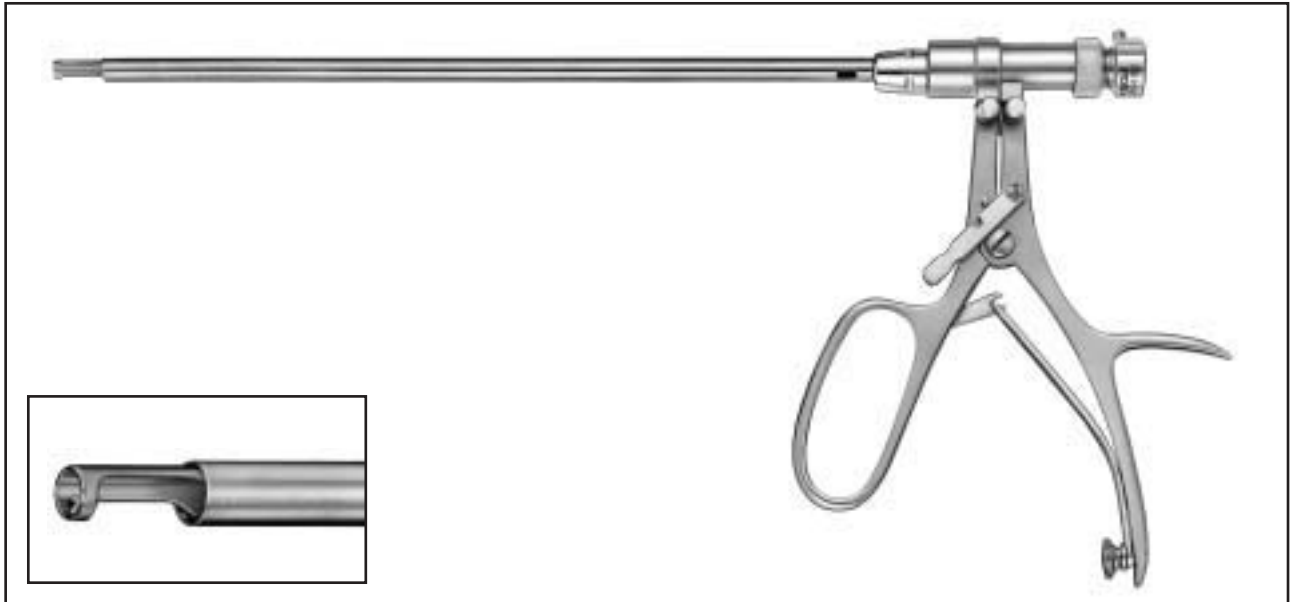
Obturator

For resectoscope	Fr.	Sheaths				Obturator		
		Intermittent irrigation		Continuous irrigation		Standard	Timberlake	For insertion of the sheath under vision **
		Beak distal tip	Oblique distal tip	Beak distal tip	Oblique distal tip			
								
Standard	28.9	—	—	8655.093 and 8655.094	—	8654.13	8654.63	8415.03
		—	—	—	8655.193 and 8655.194	8654.18	8654.68	8415.13
Oval sheath	25.5	—	8658.054	—	—	8658.151	—	8657.151
	27	—	—	—	8658.074 and 8658.084	8658.174	8658.194	8658.184
Small caliber	16	—	8666.024*	—	—	15016.333	—	—
	24	—	—	8656.034 and 8656.037	—	8656.13	—	—
		—	—	—	8656.074 and 8656.077	8656.17	—	—
Long sheath	24	8668.024*	—	—	—	8668.12	—	—
	26	8668.034*	—	—	—	8668.13	—	—

* Obturator is included with the sheath

** Accepts 12°, 25° and 70° 4mm endoscopes

Punch Lithotripsy




Working element for punch lithotripsy
For 24 to 28 Fr. sheaths and 27 and 28.9 Fr. continuous irrigation sheaths as well as 0° - 25° endoscopes.....8654.90

Curettes

For resectoscope sheaths

22 - 28 Fr.

Curettes	Working element for electrodes	For sheaths with 22 - 24 Fr. 26 - 28 Fr.	
	<p>8654 Series 12°, 25° Endoscopes</p>	<p>8654.27</p>	<p>8654.29</p>

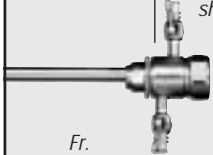










Used with a working element, this curette is used to remove small calculi, stone fragments after lithotripsy and residual tissue.

Caution:

The H.F. electrode cable must not be connected to the working element when using these curettes!




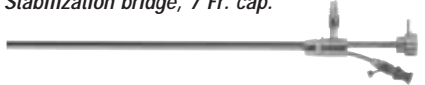
Additional Instrument Combinations

With 8654/8661 resectoscope sheaths

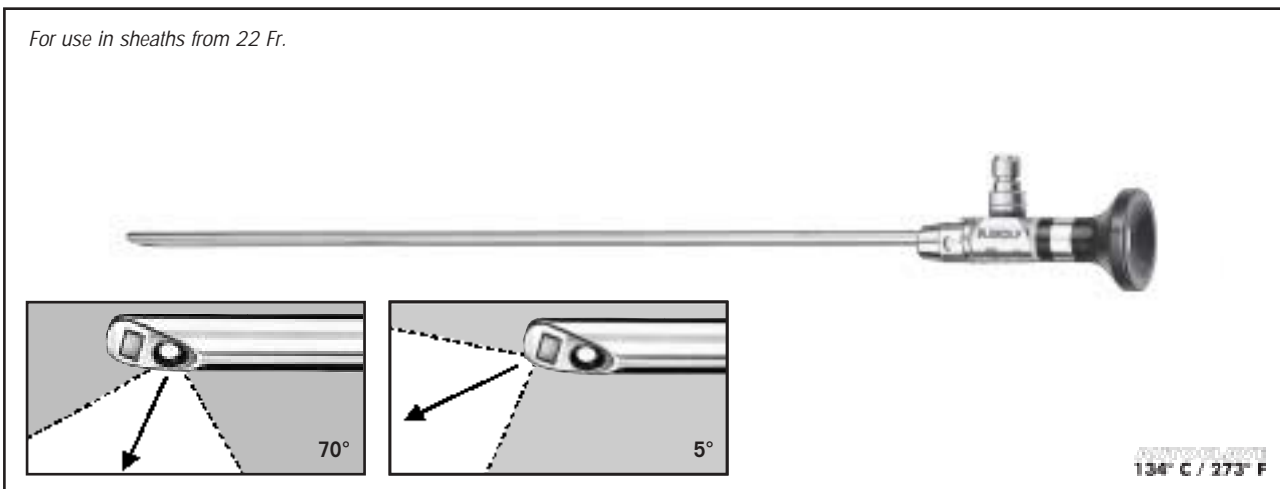
Standard sheaths	Sheaths		Via spacer	Instruments 8650 for cysto-urethrosopes in resectoscope sheaths	Type	With endoscope
	Fr.	Continuous-irrigation sheaths Fr.				
						
			8652.70	Version		
24-28	25.5 - 28.9		Spacer 8652.70	<i>Biopsy forceps, "Marburg"</i> 	8650.614	0°, 12°
24-28	27 - 28.9		Spacer 8652.70	<i>Coagulating biopsy forceps by Tauber</i> 	8650.624	0°, 12°
24-28	25.5 - 28.9		Spacer 8652.70	<i>Scissors "Wuppertal"</i> 	8650.644	0°, 12°
26-28	25.5 - 28.9		Spacer 8652.70	<i>Foreign body forceps</i> 	8650.654	0°, 12°
26-28	27 - 28.9		Spacer 8652.70	<i>Stone forceps</i> 	8650.664	0°, 12°
24-28	27 - 28.9		Spacer 8652.70	<i>Biopsy forceps, with spoon-shaped jaws, retrograde</i> 	8650.774	0°, 12°
24-28	25.5 - 28.9		Spacer 8652.70	<i>Biopsy Forceps</i> 	8650.604	12°, 25°
24-28	25.5 - 28.9		Spacer 8652.70	<i>Grasping Forceps</i> 	8650.684	12°, 25°

Additional Instrument Combinations

With 8654 / 8661 resectoscope sheaths

Standard sheaths Fr.	Sheaths Continuous-irrigation sheaths Fr.		Via spacer 8652.70	Instruments 8650 for cysto-urethroscopes in resectoscope sheaths	With endoscope
	Version	Type			
22-28	25.5-28.9	Direct		8652.264	0°, 12°, 25°, 70°
24-28	25.5-28.9	Direct		8650.204 or 8650.214	12°, 25°, 70°
22-28	25.5-28.9	Direct		8632.281 S01	12°, 25°
24-28	27-28.9	Direct		8654.911	12°, 25°

For use in sheaths from 22 Fr.



PANOVIEW PLUS examination endoscope 4.8 mm Ø






5° 8650.441
70° 8650.445

Requires:

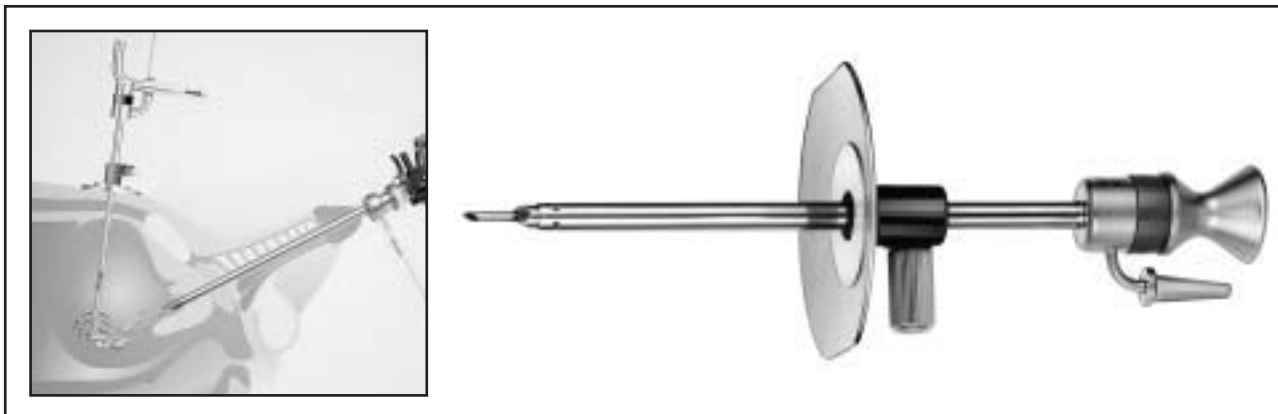
Spacer 8652.70








Stopcocks and Tubing Connector

For resectoscope sheaths with 4 mm endoscopes

Accessories		Irrigation ring	Sheath			
			With standard 4 mm luer rotatable irrigation ring	With rotatable 3 mm luer irrigation ring	With fixed tap with luer connector	With central two-way tap
	3 mm	15209.042 S01	—	883.00	883.00	—
	4 mm	—	883.01	—	—	—
	3 mm	15209.042 S01	—	884.00	884.00	—
	4 mm	—	884.01	—	—	—
		—	889.01	889.01	889.01	889.01
 (Product contains latex)		—	889.02	889.02	889.02	889.02
 Capacity 3 mm		—	—	—	—	8663.91

Suprapubic Aspiration Set



<i>Trocar sleeve 16 Fr., with pressure measuring channel and adjustable stabilizing disc</i>		8518.04
<i>Trocar, with pyramid tip</i>		8518.11
<i>Trocar, with cannula tip</i>		8518.12
<i>Aspiration cannula</i>		8518.02
<i>Overflow cannula, for pressure stabilization by Schmeller</i>		8518.07
<i>Guide sleeve, "Freiburg" with lateral opening for inserting a suprapubic balloon catheter after TURP</i>		8518.03
<i>Stabilization disc, with lateral opening</i>		8518.93

During TURP with sheaths without continuous irrigation the view can be impaired and pressure fluctuations can occur. The special suprapubic aspiration set from Richard. Wolf allows continuous outflow of fluid from the bladder during resection. The access tract to the bladder, created with the standard set, can be used postoperatively for insertion of a suprapubic bladder catheter.

Roller Suction Pump 2207



For continuous aspiration of irrigation fluid and resected tissue.

- ❑ Adjustable evacuation flow rates from 0.25 - 2.5 l/min
- ❑ Suction control for pressure setting between -0.1 and -0.6 bar
- ❑ Secretion trap for collecting irrigation solution and smaller particles

Roller suction pump

Includes:

- collecting bottle (4172.501)
- twist-lock bottle top with connections (2207.976)
- complete tubing set (8170.121)
- replacement roller pump tubing (pack of 5) (64226.014)
- collecting bottle holder (2232.841)
- flow sensor (2207.966) and flow sensor cable (2207.961)
- low pressure suction measuring hose (8170.411)
- power cable (N710154)
- synchronization cable to 2271 US Generator (2207.991)
- hygiene filters, sterile, single patient use, 10/pkg (4171.112)
- CAN - bus connecting cable, 0.6 m, for 2207.12 (103.701)

100 - 230 V, 50/60 Hz2207.011

Optional CAN - bus wiring:

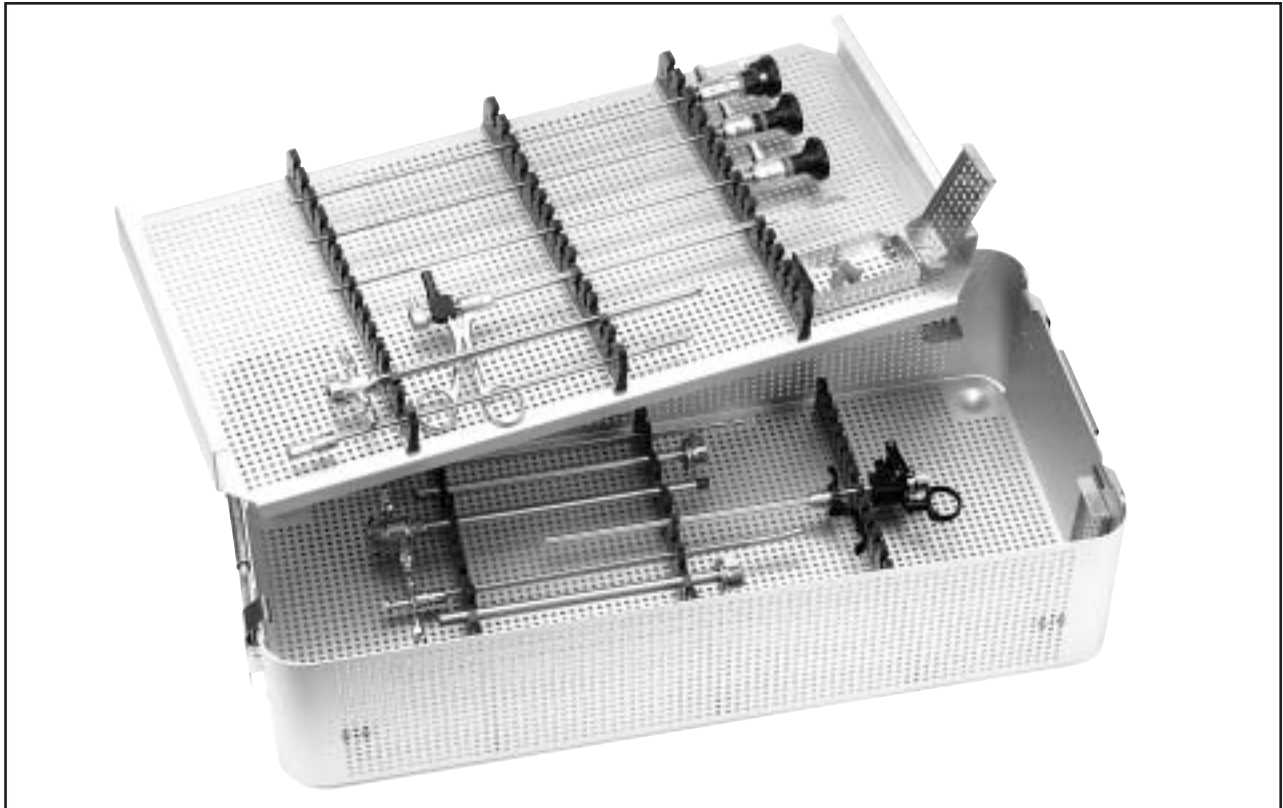
100 - 230 V, 50/60 Hz2207.012

Technical Data

Roller Suction Pump 2207

Type	2207.011 / 2207.012
Safety class complying with UL 2601-1 / CSA C22.2 No. 601.1 - for USA	I
Classification	BF
Directive Medical Device Products 93/42EEC	Class IIa
Interference suppression complying with DIN CDE 0871	Limit class B
Low pressure range	-0.1 bar to -0.6 bar
Speed range	50 - 450 rpm
Fuse	T2.0L
Power supply	100 - 230 VAC, 50/60 Hz
Capacity load	70 VA
Capacity	0.25 - 2.5 l / min
Dimensions (w x h x d)	320 x 105 x 405 mm
Weight	18.7 lbs (8.5 kg)
Space required with bottle (w x h x d)	430 x 300 x 405 mm

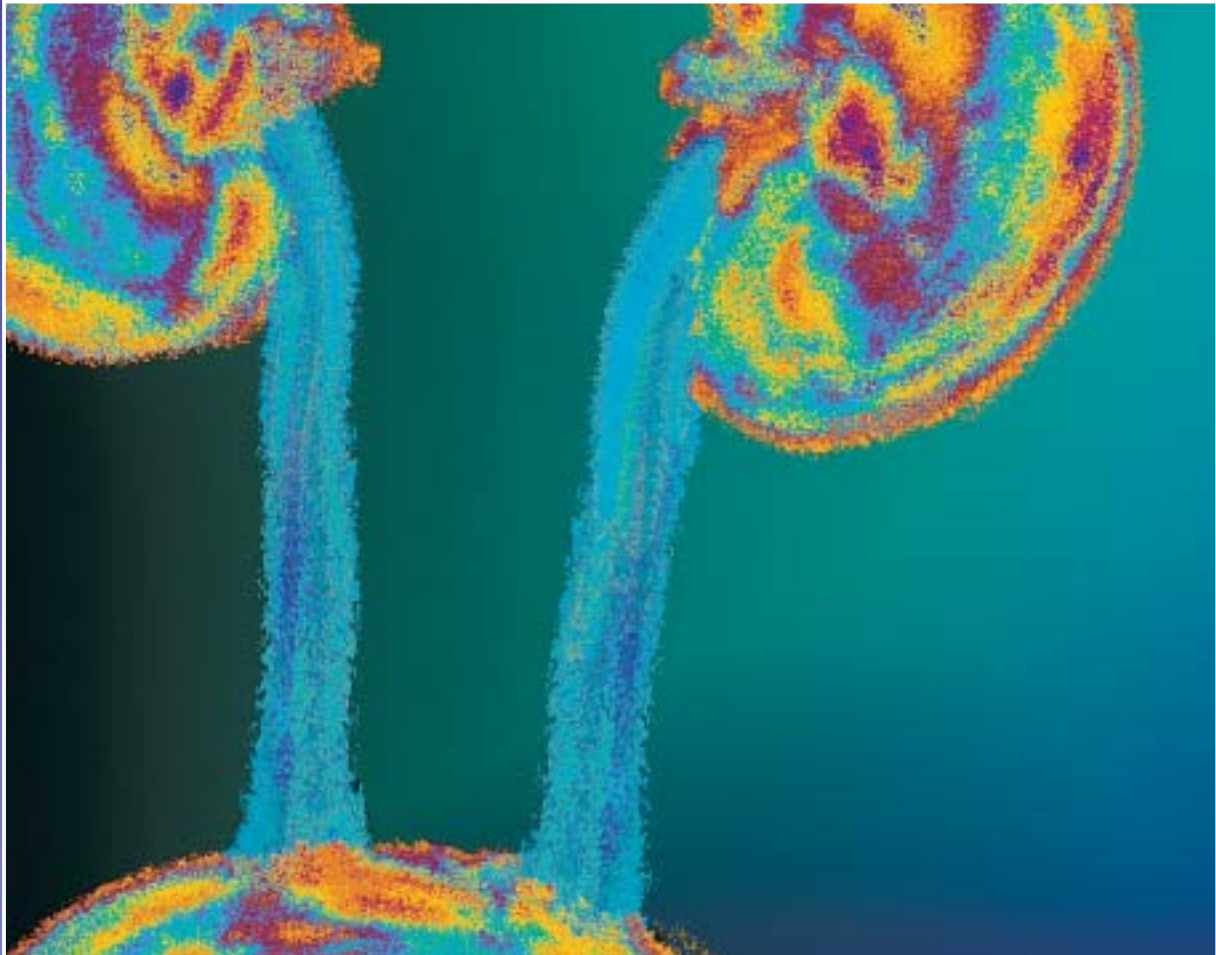
Universal Instrument Tray - 3" and 5" Deep



Loads of Storage Capacity

- ❑ Great for cystoscopy or resectoscope tray. This two level tray can hold a variety of instruments
- ❑ Each level contains (3) 8585.750 brackets that have 15 slots for instruments. Each slot has three different diameters: 10mm, 5mm & 3mm cuts.
- ❑ Also contains a compartment tray for loose items.

Description	Dimensions l x w x h	Type
Universal tray, 5" deep, dual level tray	23" x 11" x 5"	8585.025
Universal tray, 3" deep, single level tray (not shown)	23" x 11" x 3.1/2"	8585.023



Ureteroscopes

Uretero-Renoscopes (URS)

Overview "Uretero-Renoscopes"

Ultrathin and compact fiber optic URS with direct view eyepiece, 6/7.5 and 8/9.8 Fr.

Dilating OP URS by Gautier, Rod-Lens Ureteroscope, with 45° eyepiece

Compact OP fiber optic URS with offset parallel eyepiece, 8.5/11.5 Fr.

Compact OP fiber optic URS with 45° eyepiece, 8/9.8 Fr.

Compact OP fiber optic URS with offset parallel eyepiece, 8/9.8 Fr.

Compact OP fiber optic URS with offset parallel eyepiece, 7/8.5 Fr.

Compact OP fiber optic URS with 2 operating channels and 45° eyepiece, 8/9.8 Fr.

PAN-Endo URS with changable ureteroscope

Flexible Ureteroscopes

Forceps and scissors, rigid and flexible

Stone extractors

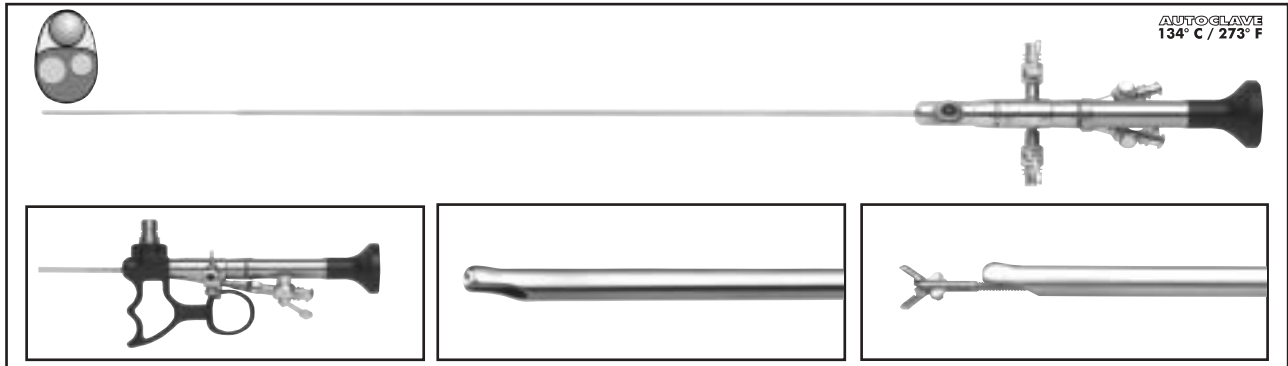
Electrodes, balloon-catheter

Bougies, scissors for slitting strictures

4.5/6 Fr. Blunt needle fiber optic URS for children and adults with narrow ureter, see page Ped 8.1

Ultrathin & Compact E-Line Semi-rigid Ureteroscopes

With straight eyepiece



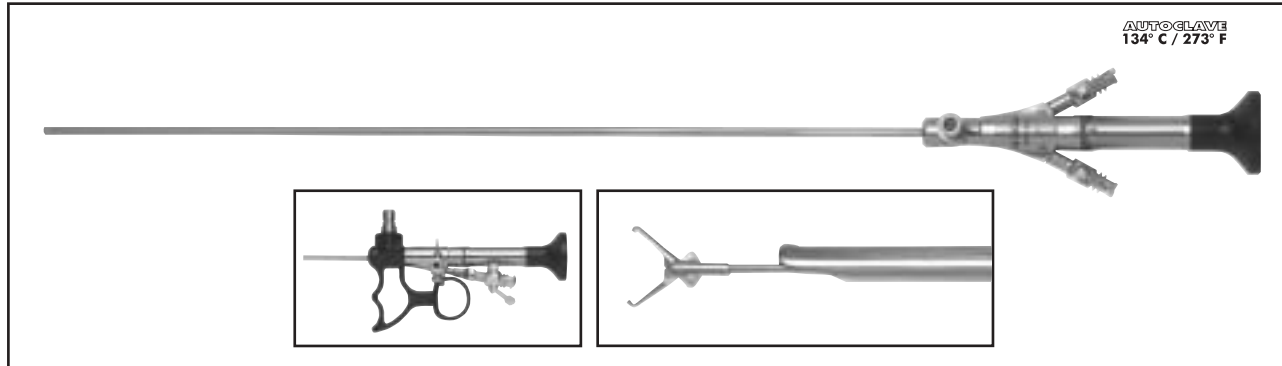
- High density fused quartz optical bundles provide brilliant rod lens-like images
- Small distal tip allows easy insertion into the ureter
- Built-in adapters accept either one larger instrument or two smaller instruments
- Matte finish permits easy passage within the ureter

Straight Ureteroscope with oval irrigation and instrument channel and a built-in "Y" operating channel adapter	Working length	Fr.	Viewing angle	Operating channel (Fr.)	Insert capacity (Fr.)	Type
6 / 7.5 Fr. Ultrathin Ureteroscopes, 20,000 fused quartz pixel bundle	430 mm	6 / 7.5	5°	4.2 x 4.6	1 x 4 or 1 x 2 & 1 x 2.4	8702.518
	330 mm	6 / 7.5	5°	4.2 x 4.6	1 x 4 or 1 x 2 & 1 x 2.4	8702.517
8 / 9.8 Fr. Compact Ureteroscopes, 50,000 fused quartz pixel bundle	430 mm	8 / 9.8	12°	5.2 x 6.2	1 x 5 or 2 x 3	8703.518
	330 mm	8 / 9.8	12°	5.2 x 6.2	1 x 5 or 2 x 3	8703.517
Optional: Handle for E-Line Semi-Rigid Ureteroscopes	—	—	—	—	—	8702.261
2.5 mm light cable, 3 m wl	—	—	—	—	—	8061.256
Storage tray, single level, 11" x27"	—	—	—	—	—	8585.027

Accessory instruments see page URS 14.1 - URS 18.1

Dual Operating Channel Ureteroscopes

With straight eyepiece, The "DOC"

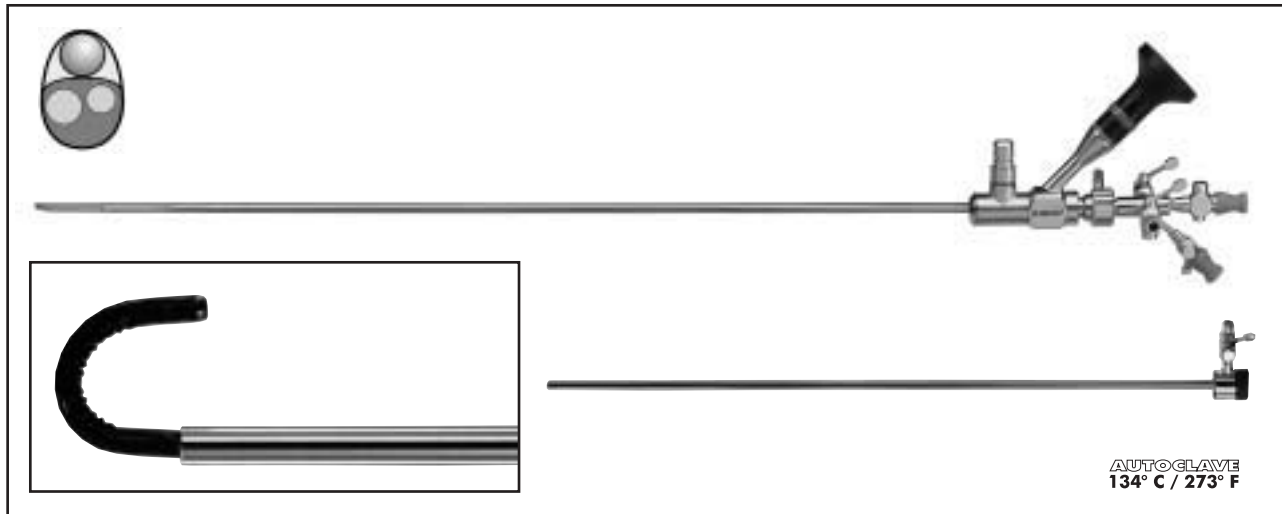


- ❑ High density fused quartz optical bundles provide large, brilliant rod lens-like images
- ❑ Large **Dual Operating Channels** provide superior flow and larger instruments
- ❑ 4 Fr. & 2.4 Fr. insert capacities are the largest or any 6-7 Fr. Ureteroscope available
- ❑ Instruments emerge at the 6:00 position for easy orientation and localization
- ❑ 6.5 Fr. Ultrathin self-dilating tip permits easy ureteral insertion and passage
- ❑ 4 Fr. mouse-tooth forceps allows easy grasping of migrated stents and ureteral calculi

Straight Ureteroscope with Dual Operating Channels	Working length	Fr.	Viewing angle	Operating channel (Fr.)	Insert capacity (Fr.)	Type
6.5 / 8.5 Fr. Straight "DOC" Ureteroscopes , 20,000 fused quartz pixel bundle	430 mm	6.5 / 8.5	5°	4.2 & 2.5 x 3.8	1 x 4 & 1 x 2.4	8708.514
	330 mm	6.5 / 8.5	5°	4.2 & 2.5 x 3.8	1 x 4 & 1 x 2.4	8708.513
6.5 / 8.5 Fr. Offset "DOC" Ureteroscope , with 45° offset eyepiece and 4 Fr. straight operating channel, 20,000 fused quartz pixel bundle	430 mm	6.5 / 8.5	5°	4.2 & 2.5 x 3.8	1 x 4 & 1 x 2.4	8708.534
	315 mm	6.5 / 8.5	5°	4.2 & 2.5 x 3.8	1 x 4 & 1 x 2.4	8708.533
Optional: Handle for E-Line Semi-Rigid Ureteroscopes	—	—	—	—	—	8702.261
2.5 mm light cable , 3 m wl	—	—	—	—	—	8061.256
Storage tray, single level, 11" x27"	—	—	—	—	—	8585.027

Accessory instruments see page URS 14.1 - URS 18.1

Dilating Operating Ureterorenoscope by Gautier, Rod Lens Endoscope with 45° oblique eyepiece



4

- ❑ Rod-lens endoscope for optimum image quality particularly during procedures using a video camera
- ❑ Multi-purpose instrument for extended diagnosis and therapy (e.g. inspection of the renal pelvis with flexible ureterorenoscope via ureteral access sheath)
- ❑ Stone therapy with laser, ultrasound, electrohydraulic or mechanical lithotripsy
- ❑ Use of flexible auxiliary instruments such as EHL probe and forceps
- ❑ Rigid accessory instruments may be used through the straight operating channel

Dilating ureteroscope with oval irrigation and instrument channel, including attachment with 2 irrigation taps and 2 instrument ports (8952.313)	Working length	Fr.	Viewing angle	Operating channel (Fr.)	Insert capacity (Fr.)	Type
Dilating ureterorenoscope by Gautier	415 mm	7.5 / 9.5	0°	4.2 x 4.6	1 x 4	8706.402

Optional: to fit over ureterorenoscope 8706.402:

Ureteral access sheath

14 Fr., with irrigation port, to evacuate

irrigation solution8706.042

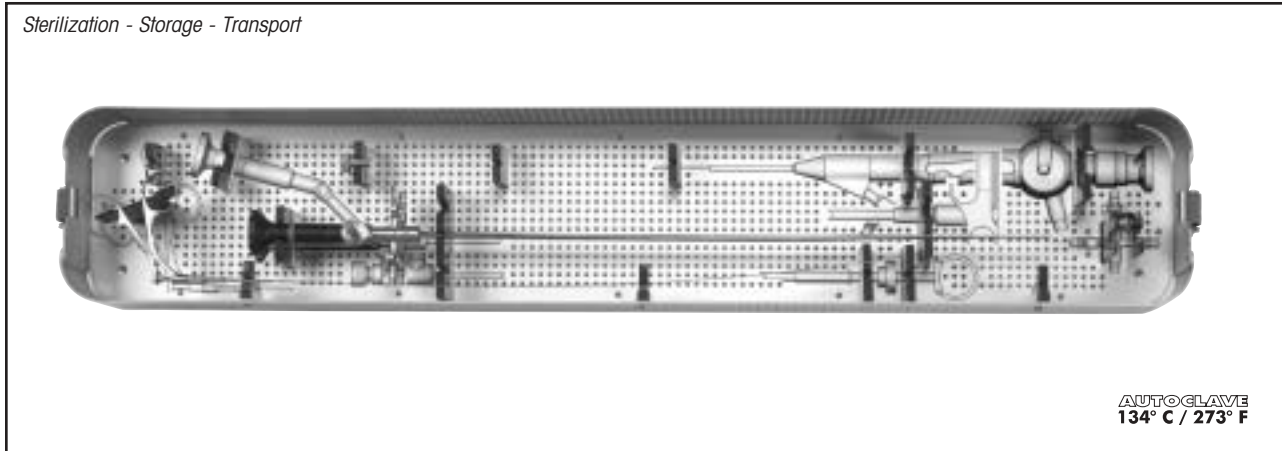
Especially for subsequent use of the flexible endoscope 7325.172
or other flexibles up to 11 Fr.

Accessory instruments see page URS 14.1 - URS 18.1

Instrument Storage Systems

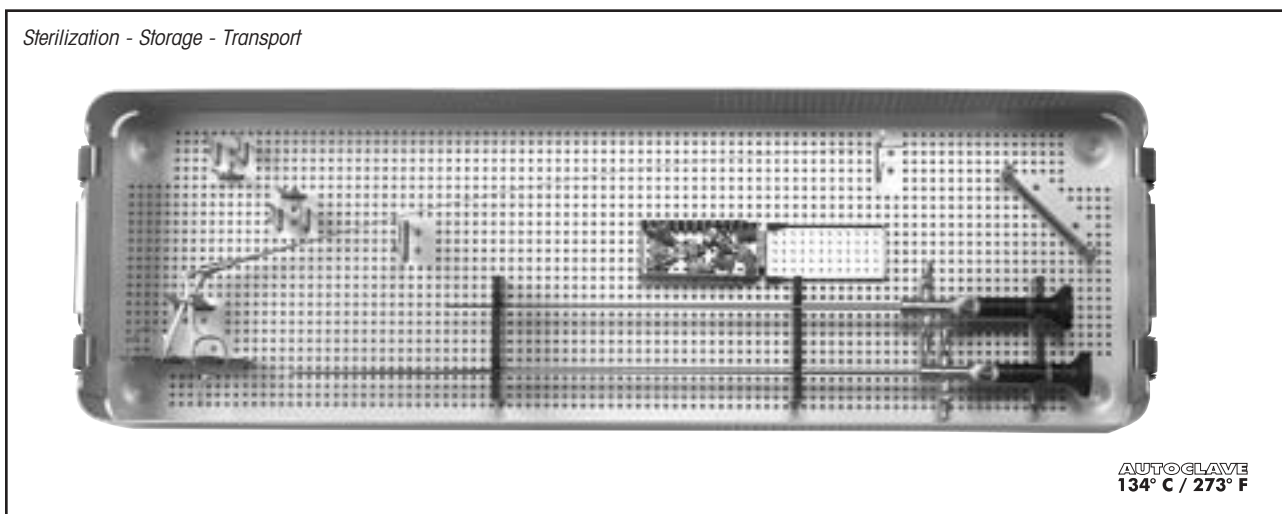
For dilating operating uretero-roscope by Gautier,
with 45° oblique eyepiece

4



The 3 in 1 storage tray is ideal for either one semi-rigid ureterscope or flexible cysto / nephroscope, and its accessories.

31" x 5 1/2" x 2 3/4" (l x w x h), includes inserts, lid and bottom 8585.115

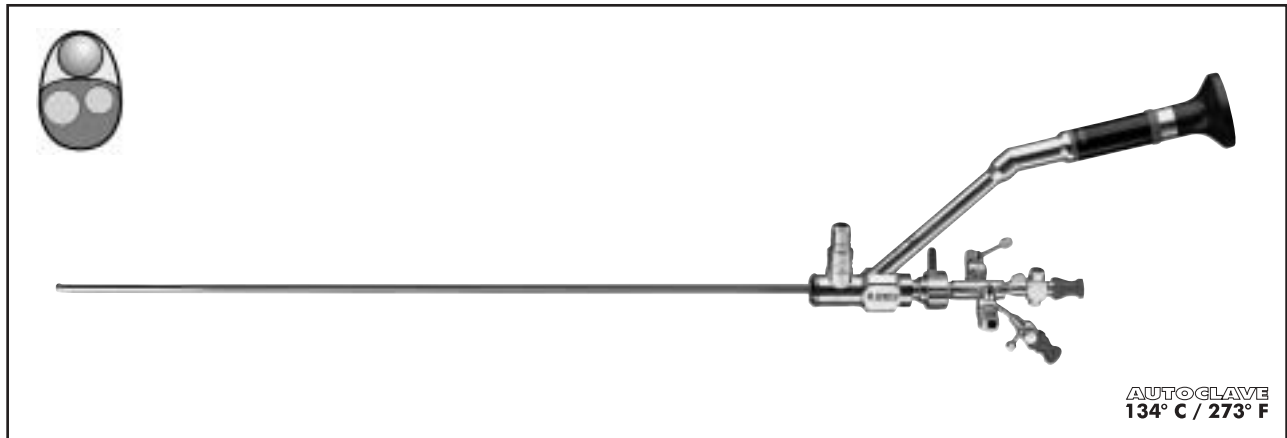


The dual ureterscope storage tray is ideal for central storage of both the long and short ureteroscopes, either with straight or offset eyepieces, and its accessories.

29" x 9 1/8" x 3" (l x w x h), includes inserts, lid and bottom 8585.015

Compact Operating Semi-rigid Ureterorenoscopes by Marberger

With offset parallel eyepiece



5

- ❑ High density fused quartz optical bundles provide brilliant rod lens-like images
- ❑ Stone therapy with laser, ultrasound, electrohydraulic or mechanical lithotripsy
- ❑ Use of flexible accessory instruments or two different instruments such as laser light guide or electrohydraulic probe and stone extractor to stabilize the concretum
- ❑ Rigid accessory instruments may be used through the straight operating channel

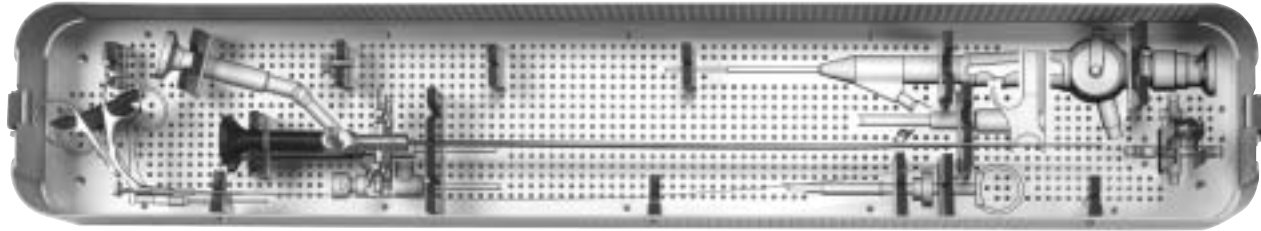
Offset ureteroscope..... with oval irrigation and instrument channel, including double instrument port (8952.313)	Working length	Fr.	Viewing angle	Operating channel (Fr.)	Insert capacity (Fr.)	Type
8.5 / 11.5 Fr. Ureterorenoscope by Marberger, 30,000 fused quartz pixel bundle	425 mm	8.5 / 11.5	10°	6.2 x 8.2	1 x 6 or 2 x 4	8714.401
	310 mm	8.5 / 11.5	10°	6.2 x 8.2	1 x 6 or 2 x 4	8704.401

Accessory instruments see page URS 14.1 - URS 18.1

Instrument Storage Systems

For compact operating fiber optic uretero-renaloscopes
by Marberger with offset parallel eyepiece

Sterilization - Storage - Transport

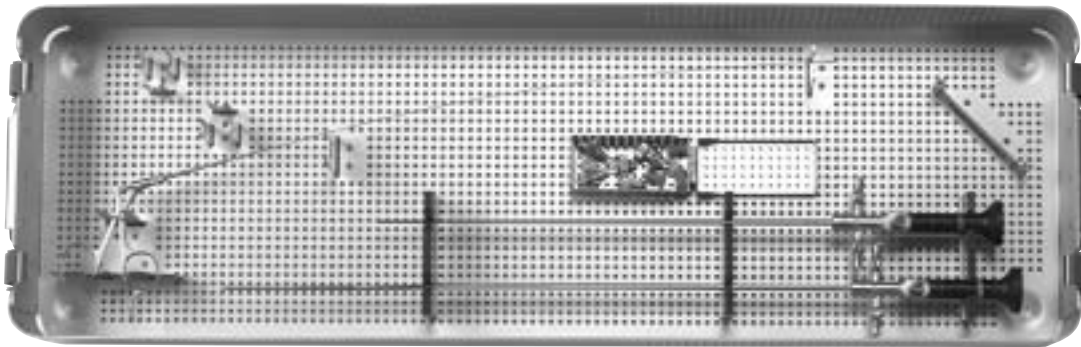


AUTOCLAVE
134° C / 273° F

The 3 in one storage tray is ideal for either one semi-rigid ureteroscope or flexible cysto / nephroscope, and its accessories.

31" x 5 1/2" x 2 3/4" (l x w x h), includes inserts, lid and bottom 8585.115

Sterilization - Storage - Transport



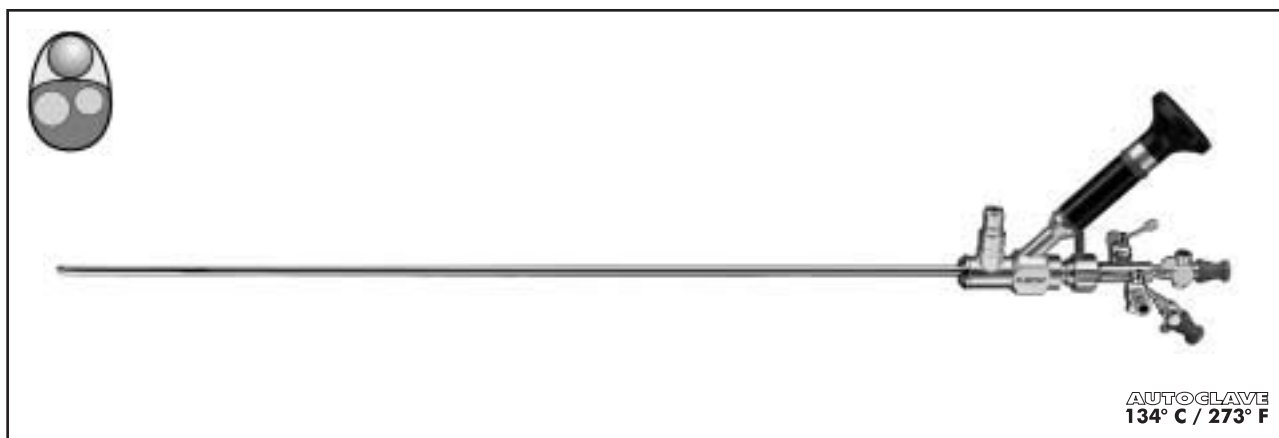
AUTOCLAVE
134° C / 273° F

The dual ureteroscopy storage tray is ideal for central storage of both the long and short ureteroscopes, either with straight or offset eyepieces, and its accessories.

29" x 9 1/8" x 3" (l x w x h), includes inserts, lid and bottom 8585.015

Compact Operating Semi-rigid Ureterorenoscopes by Bichler

With 45° oblique eyepiece



- High density fused quartz fiber optical bundles provide brilliant rod lens-like images
- Stone therapy with laser, ultrasound, electrohydraulic or mechanical lithotripsy
- Use of flexible accessory instruments or two different instruments such as laser light guide or electrohydraulic probe and stone extractor to stabilize the concretment
- Rigid accessory instruments may be used through the straight operating channel

Offset ureteroscope with oval irrigation and instrument channel, including double instrument port (8952.313)	Working length	Fr.	Viewing angle	Operating channel (Fr.)	Insert capacity (Fr.)	Type
8 / 9.8 Fr. Ureterorenoscope by Bichler, 50,000 fused quartz pixel bundle	430 mm	8 / 9.8	10°	5.2 x 6.2	1 x 5 or 2 x 3	8703.534
	315 mm	8 / 9.8	10°	5.2 x 6.2	1 x 5 or 2 x 3	8703.533
6 / 7.5 Fr. Ureterorenoscope, 20,000 fused quartz pixel bundle	430 mm	6 / 7.5	0°	4.2 x 4.6	1 x 4	8702.534
	315 mm	6 / 7.5	0°	4.2 x 4.6	1 x 4	8702.533

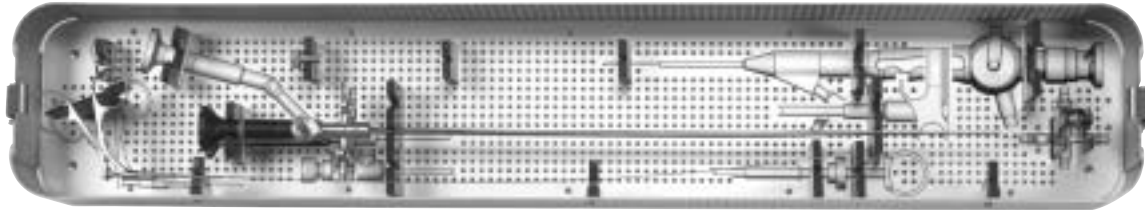
Accessory instruments see page URS 14.1 - URS 18.1

Instrument Storage Systems

For compact operating fiber uretero-renaloscopes

by Bichler with 45° oblique eyepiece

Sterilization - Storage - Transport



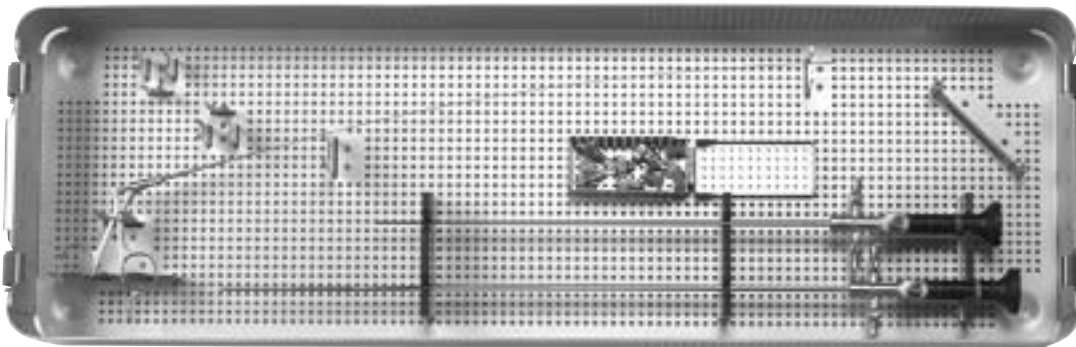
AUTOCLAVE
134° C / 273° F

6

The 3 in 1 storage tray is ideal for either one semi-rigid ureteroscope or flexible cysto / nephroscope, and its accessories.

31" x 5 1/2" x 2 3/4" (l x w x h), includes inserts, lid and bottom 8585.115

Sterilization - Storage - Transport



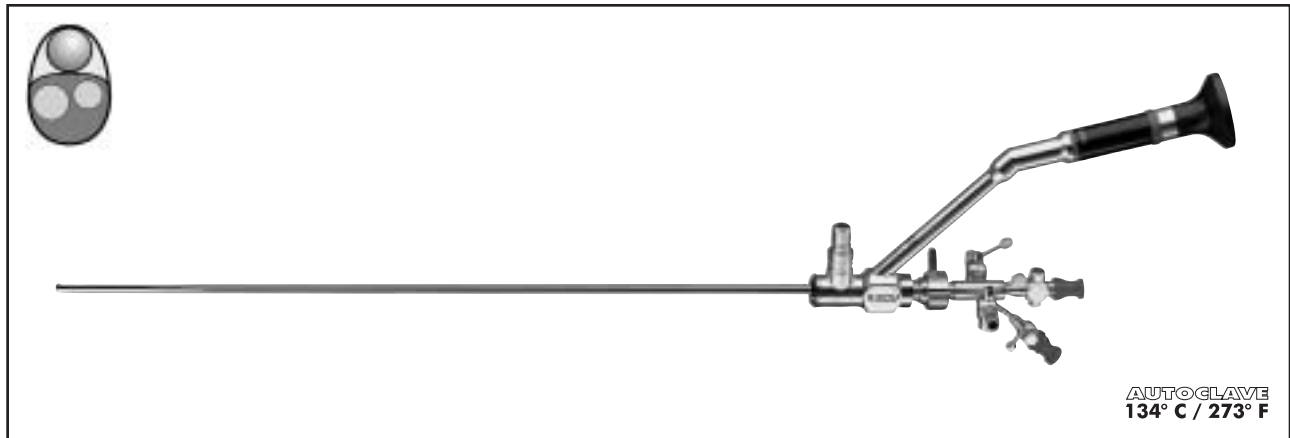
AUTOCLAVE
134° C / 273° F

The dual ureteroscope storage tray is ideal for central storage of both the long and short ureteroscopes, either with straight or offset eyepieces, and its accessories.

29" x 9 1/8" x 3" (l x w x h), includes inserts, lid and bottom 8585.015

Compact Operating Semi-rigid Ureterorenoscopes by Marberger

With offset parallel eyepiece



- High density fused quartz fiber optical bundles provide brilliant rod lens-like images
- Stone therapy with laser, ultrasound, electrohydraulic or mechanical lithotripsy
- Use of flexible accessory instruments or two different instruments such as laser light guide or electrohydraulic probe and stone extractor to stabilize the concrement
- Rigid accessory instruments may be used through the straight operating channel

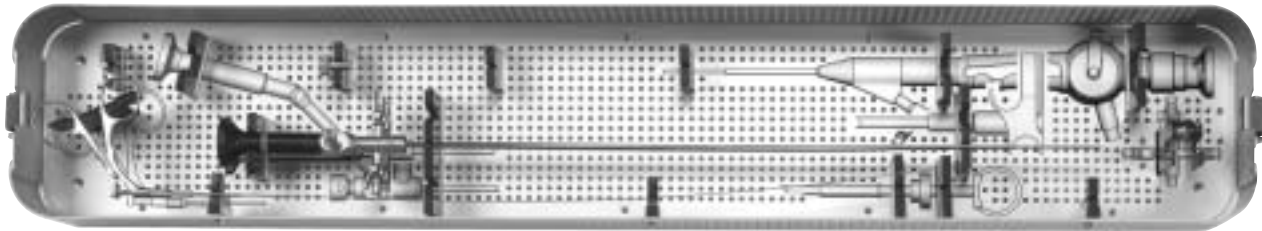
Offset ureteroscope with oval irrigation and instrument channel, including double instrument port (8952.313)	Working length	Fr.	Viewing angle	Operating channel (Fr.)	Insert capacity (Fr.)	Type
8 / 9.8 Fr. Ureterorenoscope by Marberger, 50,000 fused quartz pixel bundle	430 mm	8 / 9.8	10°	5.2 x 6.2	1 x 5 or 2 x 3	8703.524
	315 mm	8 / 9.8	10°	5.2 x 6.2	1 x 5 or 2 x 3	8703.523
6 / 7.5 Fr. Ureterorenoscope, 20,000 fused quartz pixel bundle	430 mm	6 / 7.5	0°	4.2 x 4.6	1 x 4	8702.524
	315 mm	6 / 7.5	0°	4.2 x 4.6	1 x 4	8702.523

Accessory instruments see page URS 14.1 - URS 18.1

Instrument Storage Systems

For compact operating fiber optic uretero-renaloscopes
by Marberger with offset parallel eyepiece

Sterilization - Storage - Transport

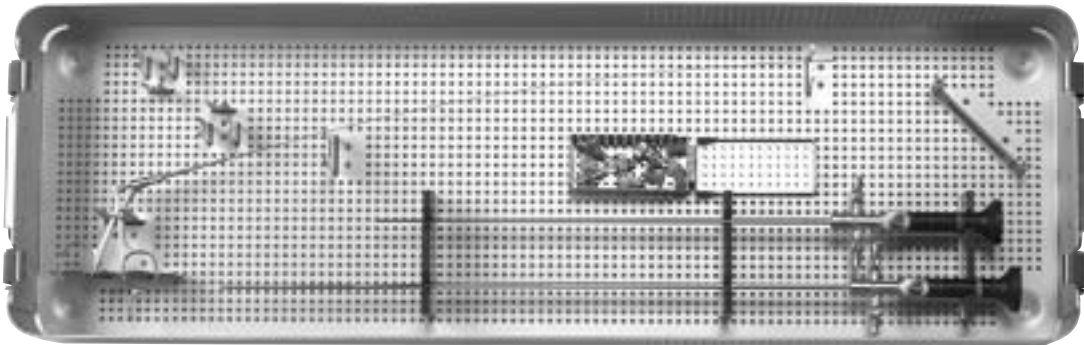


AUTOCLAVE
134° C / 273° F

The 3 in 1 storage tray is ideal for either one semi-rigid ureteroscope or flexible cysto / nephroscope, and its accessories.

31" x 5 1/2" x 2 3/4" (l x w x h), includes inserts, lid and bottom 8585.115

Sterilization - Storage - Transport



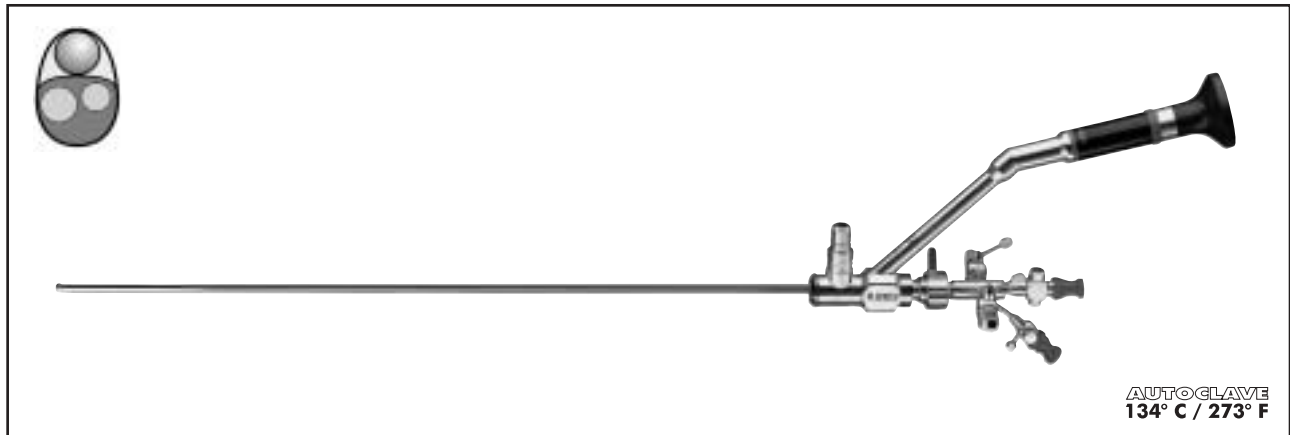
AUTOCLAVE
134° C / 273° F

The dual ureteroscope storage tray is ideal for central storage of both the long and short ureteroscopes, either with straight or offset eyepieces, and its accessories.

29" x 9 1/8" x 3" (l x w x h), includes inserts, lid and bottom 8585.015

Compact Operating Semi-rigid Ureterorenoscopes by Marberger

With offset parallel eyepiece



- ❑ High density fused quartz fiber optical bundles provide brilliant rod lens-like images
- ❑ Stone therapy with laser, ultrasound, electrohydraulic or mechanical lithotripsy
- ❑ Use of flexible accessory instruments or two different instruments such as laser light guide or electrohydraulic probe and stone extractor to stabilize the concrement
- ❑ Rigid accessory instruments may be used through the straight operating channel

Offset Ureteroscope with oval irrigation and instrument channel, including double instrument port (8952.313)	Working length	Fr.	Viewing angle	Operating channel (Fr.)	Insert capacity (Fr.)	Type
7 / 8.5 Fr. Uretero-roscope by Marberger, 10,000 fused quartz pixel bundle	425 mm	7 / 8.5	10°	3.5 x 5.3	1 x 3.3 or 2 x 2.4	8708.401
	310 mm	7 / 8.5	10°	3.5 x 5.3	1 x 3.3 or 2 x 2.4	8718.401

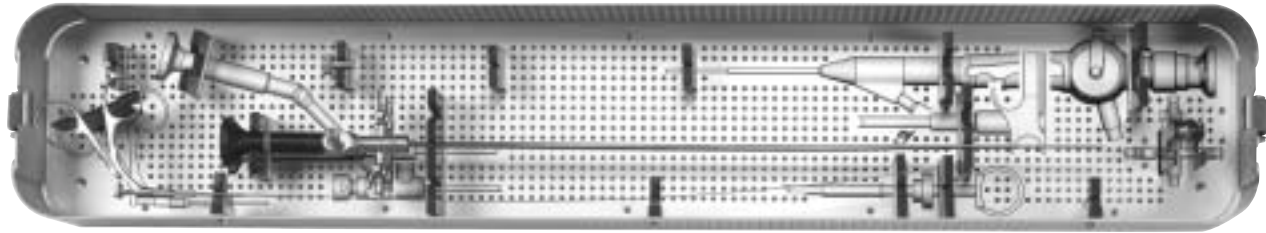
Accessory instruments see page URS 14.1 - URS 18.1

Instrument Storage Systems

For compact operating fiber optic uretero-renoscopes

by Marberger with offset parallel eyepiece

Sterilization - Storage - Transport



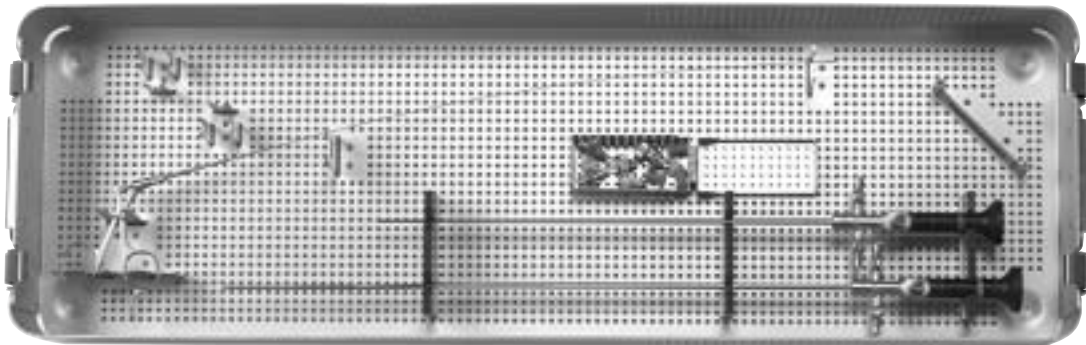
AUTOCLAVE
134° C / 273° F

The 3 in 1 storage tray is ideal for either one semi-rigid ureteroscope or flexible cysto / nephroscope, and its accessories.

31" x 5 1/2" x 2 3/4" (l x w x h), includes inserts, lid and bottom 8585.115

8

Sterilization - Storage - Transport



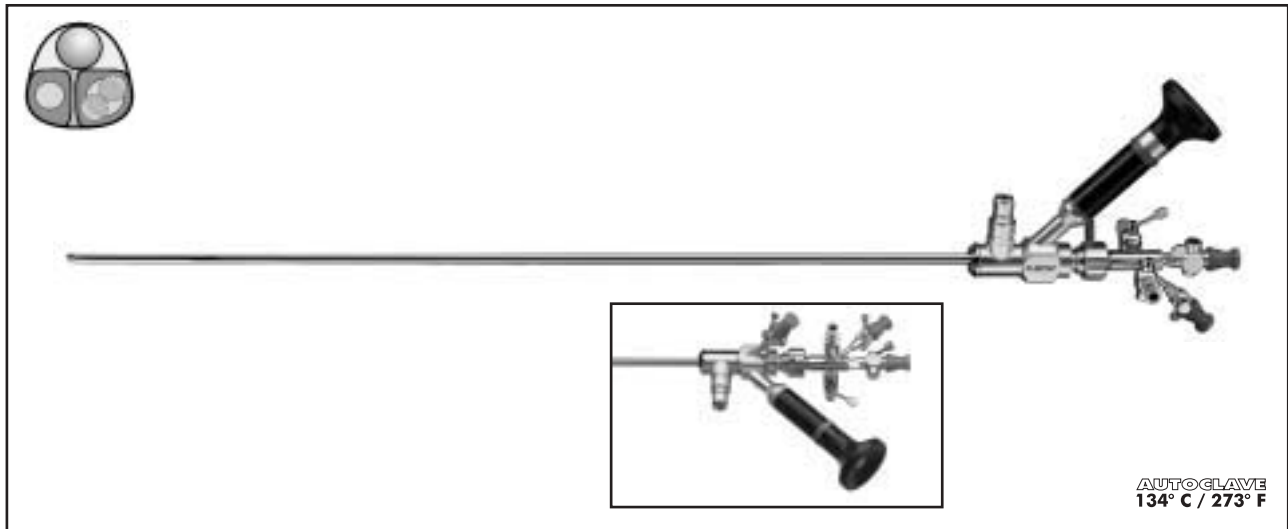
AUTOCLAVE
134° C / 273° F

The dual ureteroscope storage tray is ideal for central storage of both the long and short ureteroscopes, either with straight or offset eyepieces, and its accessories.

29" x 9 1/8" x 3" (l x w x h), includes inserts, lid and bottom 8585.015

Compact Operating Semi-rigid Ureterorenoscopes by Bichler

2 operating channels and 45° oblique eyepiece



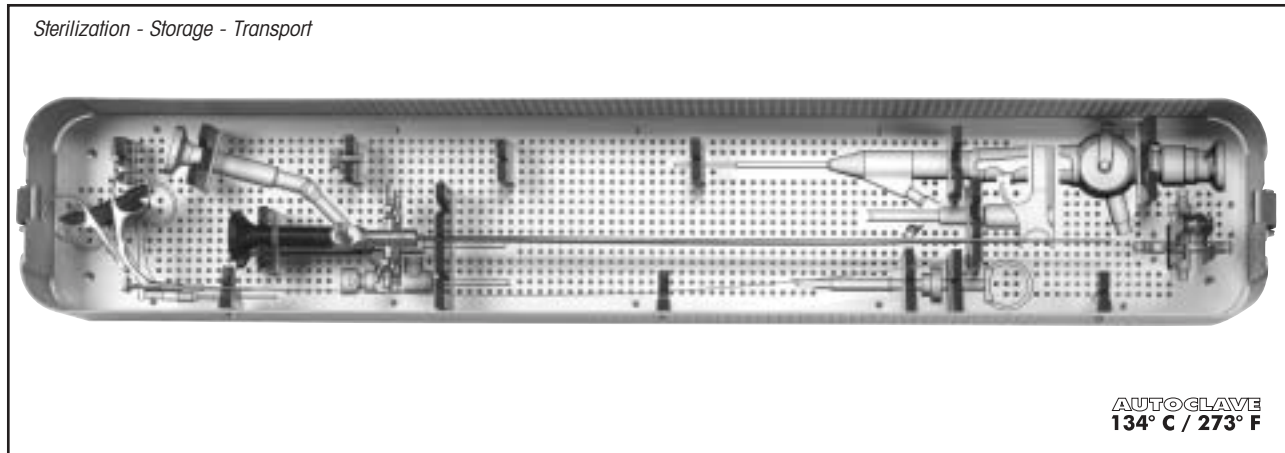
- ❑ High density fused quartz fiber optical bundles provide brilliant rod lens-like images
- ❑ Perfect vision with continuous irrigation via 2 separate operating channels
- ❑ Stone therapy with laser, ultrasound, electrohydraulic or mechanical lithotripsy
- ❑ Use of flexible accessory instruments or two different instruments such as laser light guide or electrohydraulic probe and stone basket to stabilize the calculi
- ❑ Rigid accessory instruments may be used through the straight operating channel

Compact operating fiber..... <i>with oval irrigation and instrument channels, including double instrument port (8952.313)</i>	Working length	Fr.	Viewing angle	Operating channel (Fr.)	Insert capacity (Fr.)	Type
8 / 9.8 Fr. Ureterorenoscopes by Bichler with 2 operating channels	425 mm	8 / 9.8	10°	Oval channels 5.4 x 4.5 4.2 x 3.2	1 x 4 and 1 x 3 or 2 x 2.4 and 1 x 3	8709.421
	310 mm	8 / 9.8	10°	Oval channels 5.4 x 4.5 4.2 x 3.2	1 x 4 and 1 x 3 or 2 x 2.4 and 1 x 3	8709.401

Accessory instruments see page URS 14.1 - URS 18.1

Instrument Storage Systems

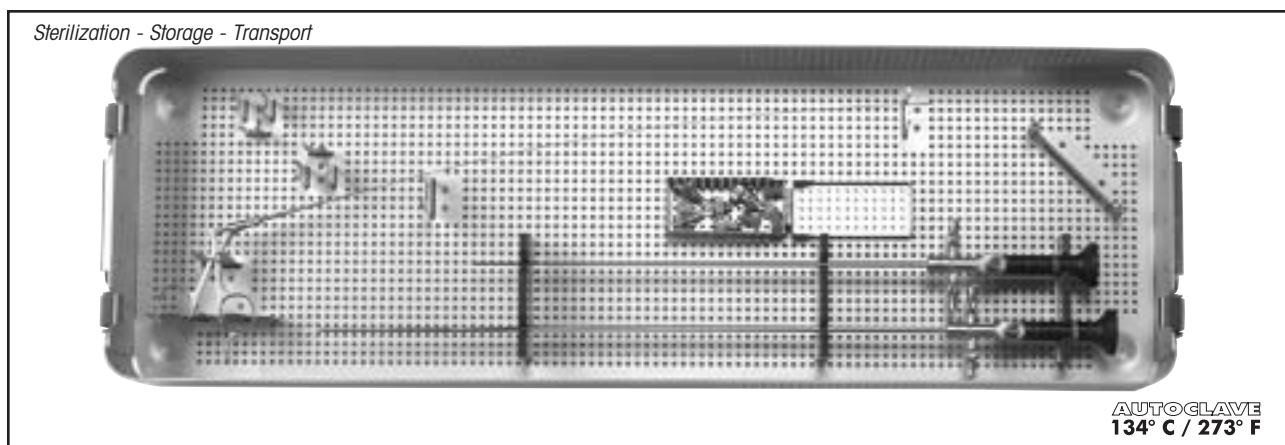
For compact operating fiber optic uretero-renaloscopes
by Bichler, dual channels, with 45° oblique eyepiece



The 3 in 1 storage tray is ideal for either one semi-rigid ureteroscope or flexible cysto / nephroscope, and its accessories.

31" x 5 1/2" x 2 3/4" (l x w x h), includes inserts, lid and bottom 8585.115

9

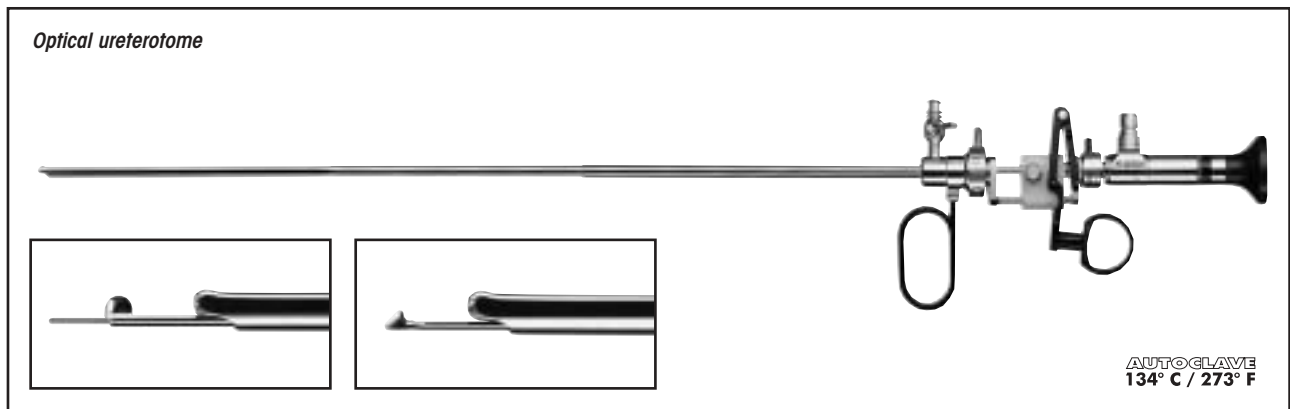


The dual ureteroscope storage tray is ideal for central storage of both the long and short ureteroscopes, either with straight or offset eyepieces, and its accessories.

29" x 9 1/8" x 3" (l x w x h), includes inserts, lid and bottom 8585.015

Pan-Endo Ureterorenoscope: Optical Ureterotome & Ureteroresectoscope

- all combinations with just one endoscope



Optical ureterotome

consisting of:

- PANOVIEW PLUS Ureteroscope**, 0° 2.2 / 2.7 mm Ø8720.401
- Sheath**, 9 / 11.5 Fr.8725.021
- Adaptor**, with single channel, 3 Fr. insert cap.8677.26

for stricture slitting:

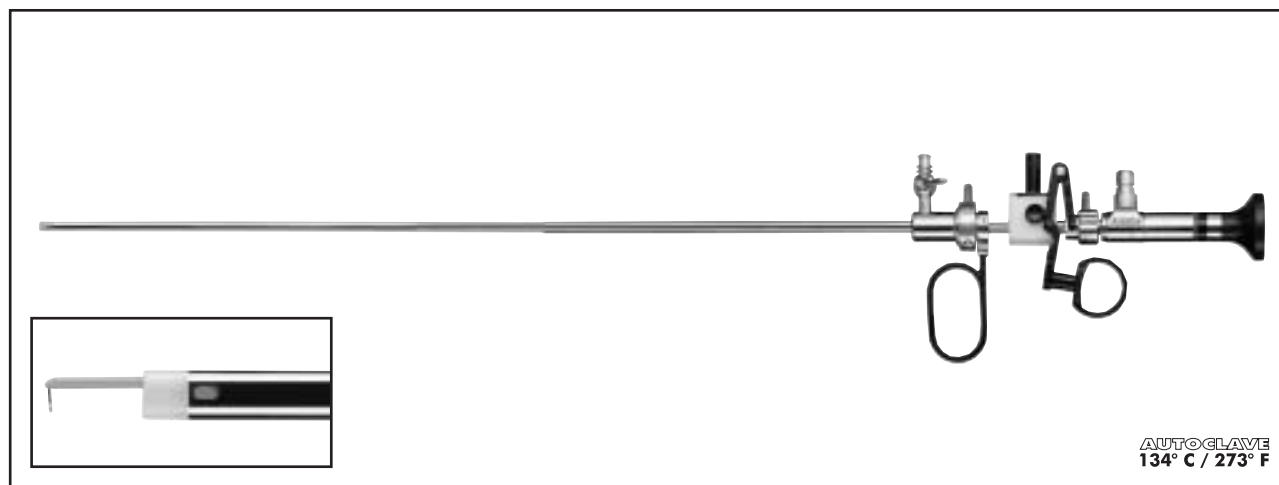
- Working element**8965.91
- Stricture scalpel**, half moon shaped8725.951
- Stricture scalpel**, hook shaped8725.952

HF connecting cable, 3M WL, Reusable,815.033 or 3M WL, Disposable, 10 / pkg.....415.0030

Accessory instruments see page URS 14.1 - URS 18.1

Pan-Endo Ureterorenoscope, Ureteroresectoscope

- all combinations with just one ureteroscope



Ureterorenoscope

consisting of:

PANOVIEW PLUS telescope, Ø 2.2 / 2.7 mm, 0°8720.401

Sheath, 11.5 Fr. distal end insulated,

with fixed irrigation cock8724.021

Adaptor, with single channel, 3 Fr. insert cap.8677.26

Working element, passive cutting action, for electrodes8677.222

Stricture scalpel, hook shaped8724.981

Cutting electrode8724.931

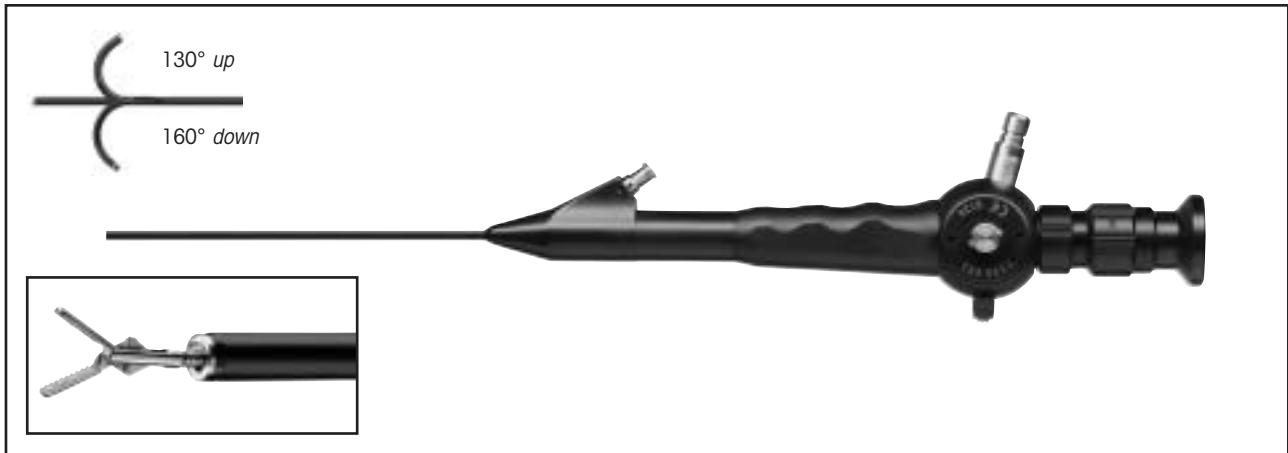
Coagulating electrode8724.911

Hook electrode8724.921

HF connecting cable, 3M WL, Reusable,815.033 or 3M WL, Disposable, 10 / pkg.....415.0030

Accessory instruments see page URS 14.1 - URS 18.1

7.5 Fr. Flexible Ureterorenoscope 3.6 Fr. Channel

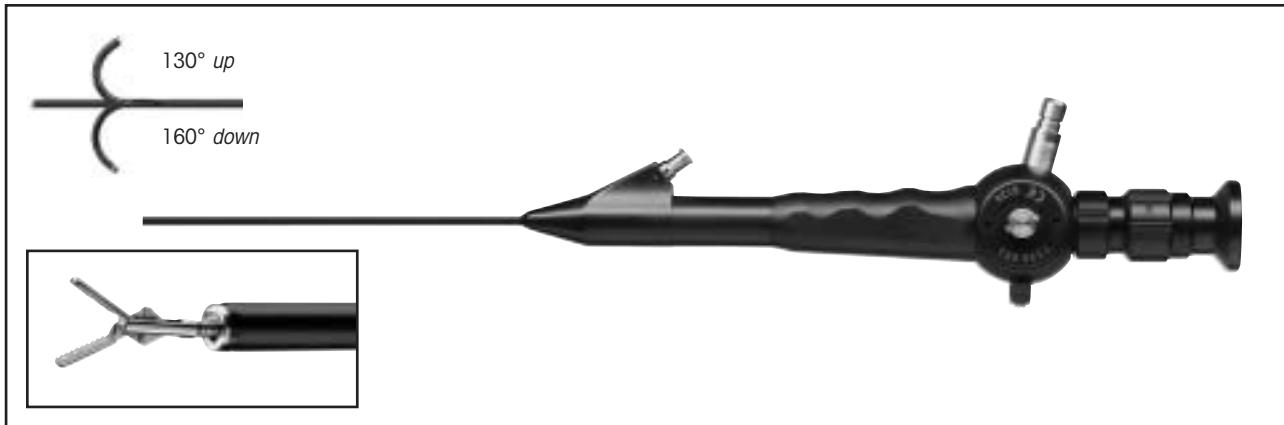


- Optimum ratio between sheath and instrument channel - 7.5 Fr. / 3.6 Fr., with excellent image quality
- True 7.5 Fr. outer diameter allows easy passage
- Active deflection of 130° up / 160° down with secondary passive deflection
- 0° position of the instrument tip can be clearly felt on the control lever indicates when it is safe to pass instruments
- Reduced weight and ergonomic design for optimal handling and less strain on the surgeon
- Immersible and suitable for gas sterilization

Description	Outer diameter	Instrument channel	Working length	Type
Flexible Ureterorenoscope •including instrument port (7305.781) • 3 Fr. flexible biopsy forceps, 920 mm WL (829.601) • leakage tester (163.903) • gas sterilization cap (163.904) • cleaning brush (7321.911) • case (15583.556)	7.5 Fr.	3.6 Fr.	700 mm	7325.172
			450 mm	7325.152
			200 mm	7325.122

Light cable 2.5 mm Ø	—	—	3000 mm	8061.256
Flexible grasping forceps	3 Fr.	—	920 mm	828.651
			600 mm	7223.65
Optional: Gas / Storage Tray: includes tray lid (573.103) and base (573.102)	—	—	—	573.101

9 Fr. Flexible Ureterorenoscope 4.5 Fr. Channel








- ❑ Large 4.5 Fr. operating channel for effective irrigation even with auxiliary instruments
- ❑ Atraumatic 7.4 Fr. tip with a true 9 Fr. sheath over the entire working length
- ❑ Active deflection of 130° up / 160° down with secondary passive deflection
- ❑ 0° position of the instrument tip can be clearly felt on the control lever indicates when it is safe to pass instruments
- ❑ Reduced weight and ergonomic design for optimal handling and less strain on the surgeon
- ❑ Immersible and suitable for gas sterilization





Description	Outer diameter	Instrument channel	Working length	Type	
Flexible Ureterorenoscope <ul style="list-style-type: none"> • including instrument port (7305.781) • flexible biopsy forceps (8734.608) • leakage tester (163.903) • gas sterilization cap (163.904) • cleaning brush (7321.911) • case (15583.556) 	9 Fr.	4.5 Fr.	450 mm	7330.052	
			700 mm	7330.072	
Optional: Light cable 2.5 mm Ø	—	—	3000 mm	8061.256	
Foreign body forceps,	4 Fr.	—	850 mm	standard	8734.658
				with mouse-tooth	8734.688
Coagulating electrode, flexible	3 Fr.	—	920 mm	8741.80	
3 Fr., 4 wire, disposable stone basket	3 Fr.	—	910 mm	8137.334	
Gas / Storage Tray: includes tray lid (573.103) and base (573.102)	—	—	—	573.101	

Forceps, rigid

For ureterorenoscopes with straight operating channel

Instrumentation	Description	Working length	Fr.	Type
	Biopsy forceps	550 mm	5	8952.60
	Grasping forceps, mouse-tooth for long ureteroscopes	550 mm	4	8952.611
	for short ureteroscopes	415 mm	4	8959.611
	Grasping forceps, mouse-tooth for long ureteroscopes	550 mm	5	8952.621
	for short ureteroscopes	415 mm	5	8959.621
	Grasping forceps	550 mm	5	8952.65
	Alligator forceps for long ureteroscopes	550 mm	5	8954.68
	for short ureteroscopes	430 mm	5	8959.68




Forceps, Scissors, Flexible
For uretero-renoscopes

<i>Instrumentation</i>	<i>Description</i>	<i>Working length</i>	<i>Fr.</i>	<i>Type</i>
	Biopsy forceps	920 mm	3	829.601
	Biopsy forceps	550 mm	5	829.051
	Biopsy forceps	600 mm	4/3	8734.606
	Biopsy forceps	850 mm	4/3	8734.608
	Grasping forceps	920 mm	3	828.651
	Grasping forceps	600 mm	4	8734.656
	Grasping forceps	850 mm	4	8734.658
	Grasping forceps, mouse-tooth	600 mm	4	8734.686
	Grasping forceps, mouse-tooth	850 mm	4	8734.688
	Grasping forceps, mouse-tooth	550 mm	6.5	8736.685

14

Forceps, Scissors, flexible




For ureterorenoscopes

Instrumentation	Description	Working length	Fr.	Type
	Foreign body forceps for long ureteroscopes	545 mm	5	8950.66
	for short ureteroscopes	415 mm	5	8959.66
	Grasping forceps	550 mm	5	828.051
	Flexible scissors for slitting strictures, retrograde cutting	545 mm	5	8950.28







Stone Extractors

For ureterorenoscopes and nephroscopes

Instrumentation	Description	Working length	Fr.	Type
	<p>4 wire, helical design, stone basket</p>	<p>1200 mm</p>	<p>3</p>	<p>8137.334</p>
	<p>4 wire, helical design, stone basket</p>	<p>700 mm</p>	<p>4</p>	<p>8137.344</p>
	<p>Sliding hand grip for above stone extractors</p>	<p>—</p>	<p>—</p>	<p>—</p>


Electrodes, Balloon-Catheter

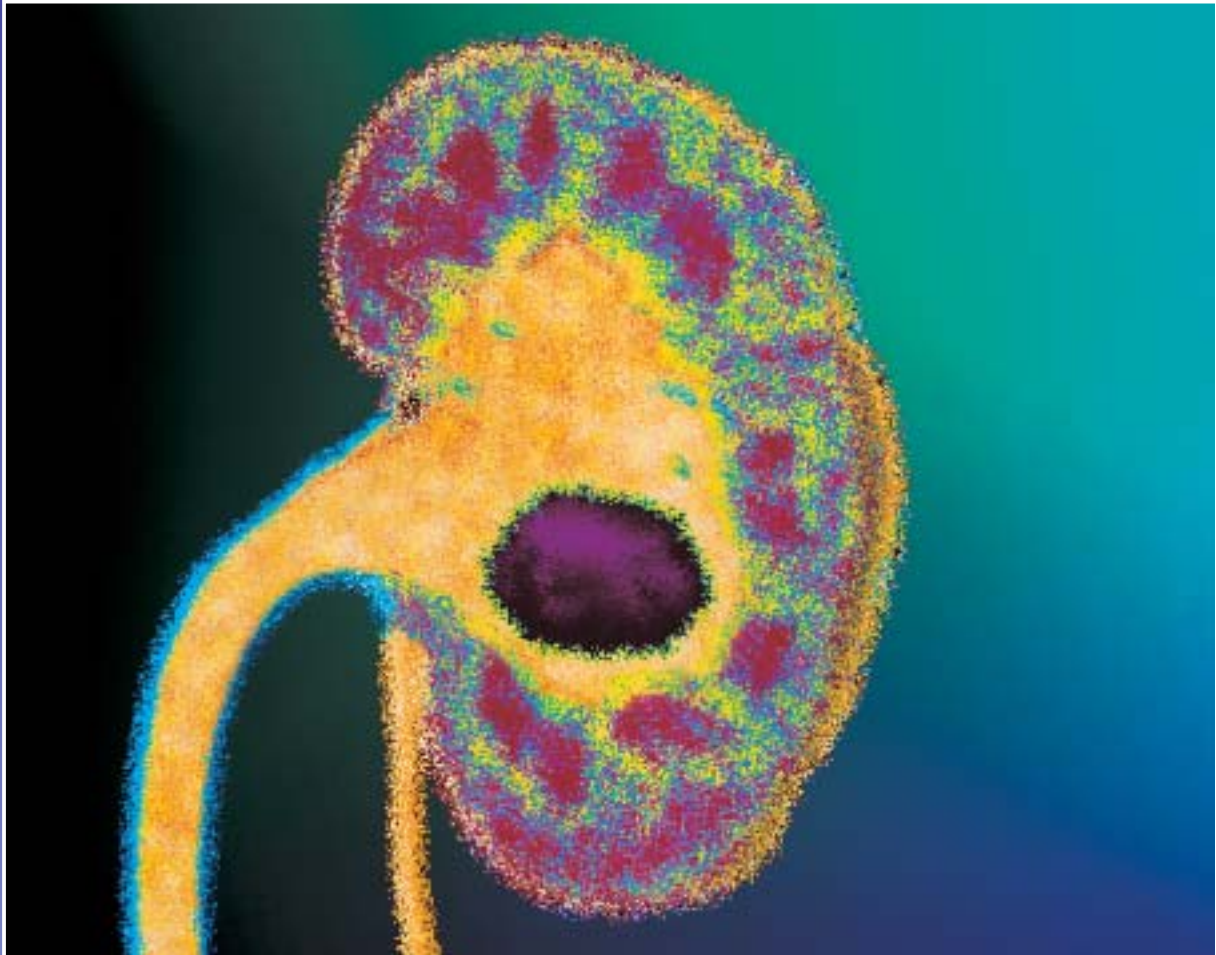
For ureterorenoscopes

<i>Instrumentation</i>	<i>Description</i>	<i>Working length</i>	<i>Fr.</i>	<i>Type</i>
	<i>Flexible coagulating hook electrode</i>	600 mm	2.4	823.221
	<i>Flexible coagulating button electrode</i>	920 mm	3	8741.80
	<i>Flexible coagulating button electrode</i>	600 mm	5	8599.80
	<i>Flexible hook electrode</i>	600 mm	5	824.051

Bougies

For ureterorenoscopes

Bougies for dilatation of the ureter	<i>Material</i>	<i>Fr.</i>	<i>Type</i>
<p>Flexible, hollow dilators which can be inserted by means of a cysto-urethroscope and / or over a guide wire (8591.993) into the renal pelvis</p> 	Metal	10	8591.90
		12	8591.92
		14	8591.94
<p>Guide wire set of 3, in individual, sterile packages, stainless steel, 0.038" diameter, 150 cm WL</p>	—	0.038	8591.993



Percutaneous Nephroscopes

Percutaneous Nephroscopes

.....	0
.....	1
.....	2
<i>Percutaneous low-pressure universal nephroscope by Marberger</i>	3
<i>Nephroscopes and sheaths</i>	4
<i>Accessory instruments</i>	5
<i>Flexible nephroscope</i>	6
<i>Instruments for resection of tumors in the renal pelvis</i>	7
<i>Optical percutaneous ureterotome and instruments for percutaneous slitting of strictures</i>	8
.....	9
<i>Small caliber percutaneous low-pressure universal nephroscope</i>	10
<i>Instrument storage trays</i>	11

Nephroscopes and Sheaths

*Percutaneous low-pressure universal
nephroscope by Marberger*



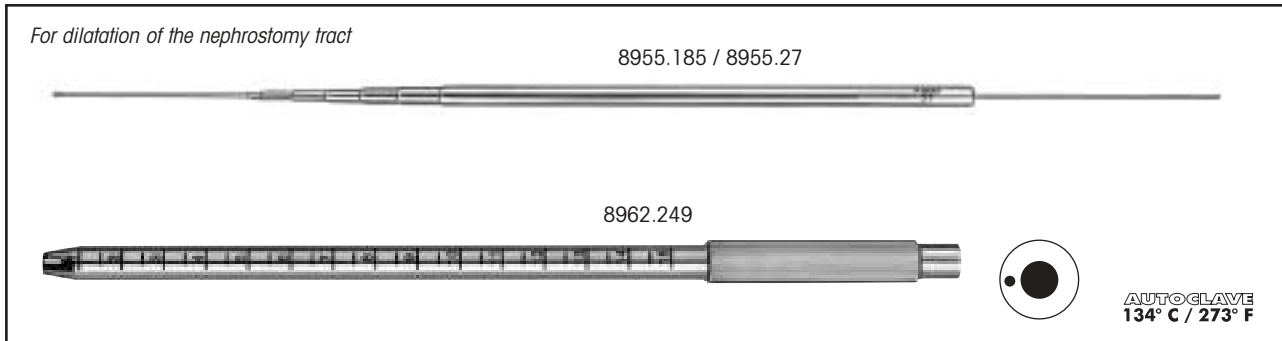
For diagnosis, stone extraction, ultrasound lithotripsy or electrohydraulic lithotripsy

- PANOVIEW PLUS operating nephroscopes laterally 90° mounted eyepiece (by Marberger) or 45° oblique offset eyepiece (by Wickham)*
- Optimum view of probes or forceps*
- Various oval operating channels*
- Sheaths feature irrigation outflow ports at the distal tip, and rotatable, maintenance-free irrigation tap*
- Hollow obturator for use over a guide wire*
- Ultrasound probes in various sizes*
- Sturdy grasping forceps and stone extractors*

Dilators and Fascia Scalpel

For percutaneous low-pressure universal nephroscope by Marberger

3



Telescopic dilator, 9 - 27 Fr.

for use over a guide wire

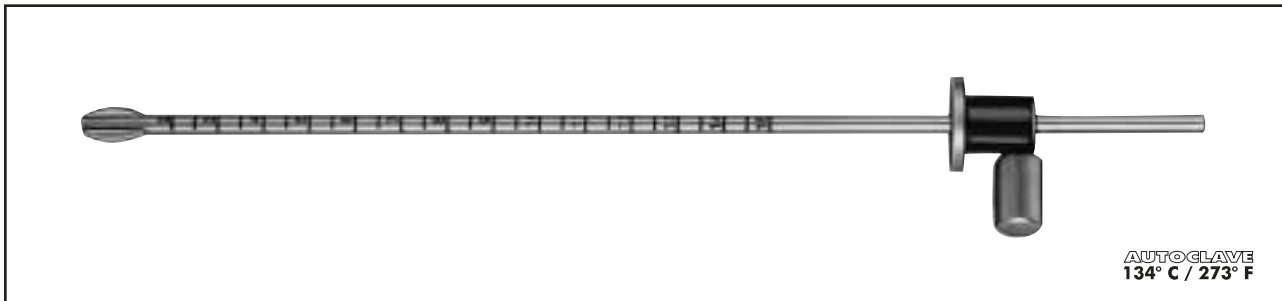
consisting of:

1 hollow guide rod 6 Fr. (8955.06), and

7 telescopic dilators 9 - 27 Fr.8955.27

Telescopic dilator, 9 - 18 Fr.

for use over a guide wire8955.185



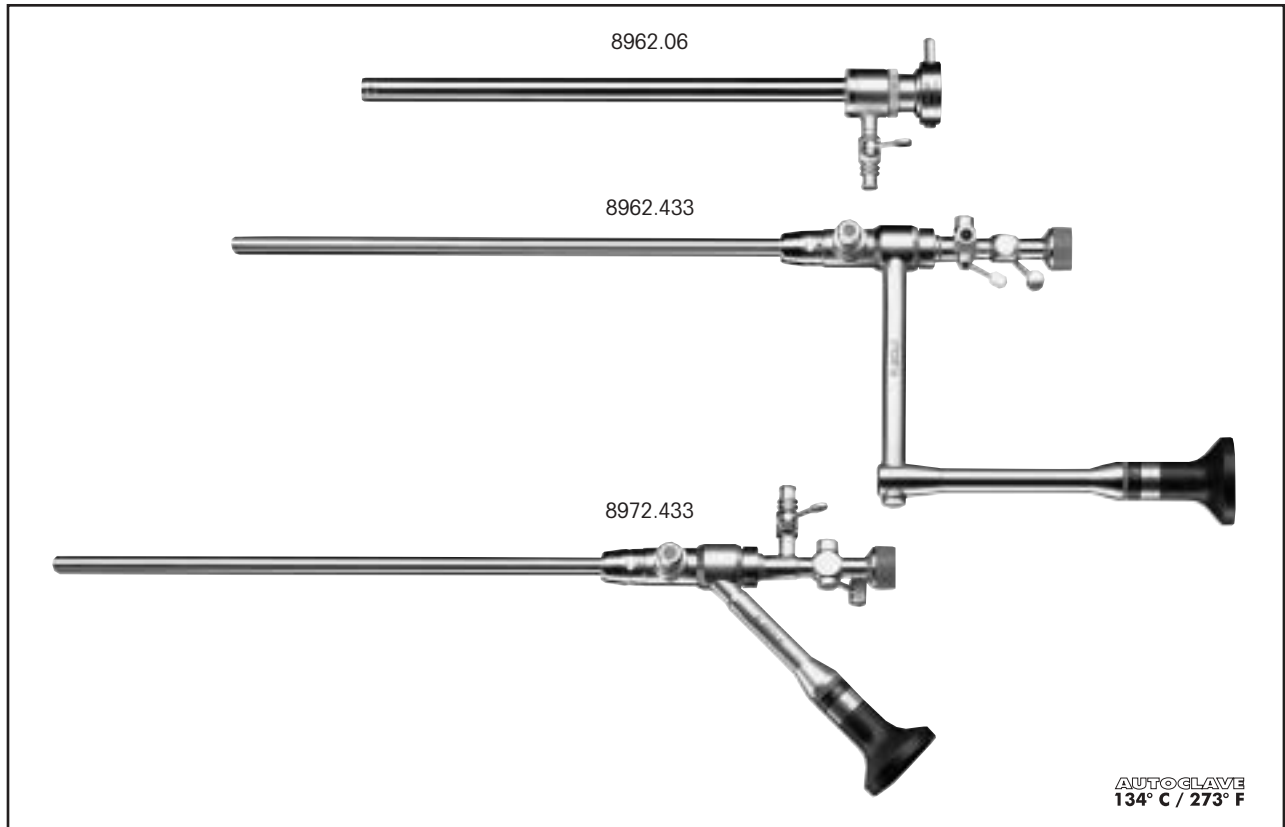
Percutaneous fascia scalpel

for use over a guide wire8962.72

It is often difficult, particularly with patients who have already undergone surgery, to dilate the nephrostomy tract because the scar tissue is usually hard and inelastic. Cold slitting of this tissue makes access easier. The subsequent dilatation then only involves the transparenchymatous area of the kidney.

27 Fr. Nephroscopes and Sheaths

Percutaneous low-pressure universal nephroscope by Marberger



Operating sheath

with Irrigation outflow ports at the distal end, and rotatable Irrigation collar, includes hollow obturator for use over a guide wire, 175 mm WL

27 Fr.....8962.06

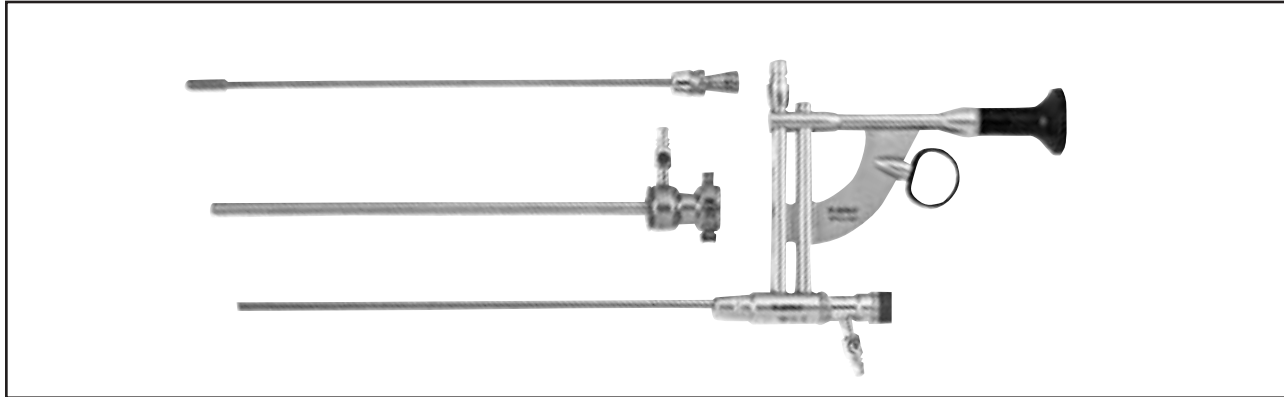
PANOVIEW operating nephroscope by Marberger, 25°, laterally 90° mounted eyepiece, with oval operating channel for 4 mm accessory instruments, can also be used for Irrigation or aspiration8962.433

or

PANOVIEW operating nephroscope by Wickham, 25°, with 45° angled eyepiece, oval probe channel for 4 mm accessory instruments8972.433

20.8 Fr. Long Ultrathin Nephroscope

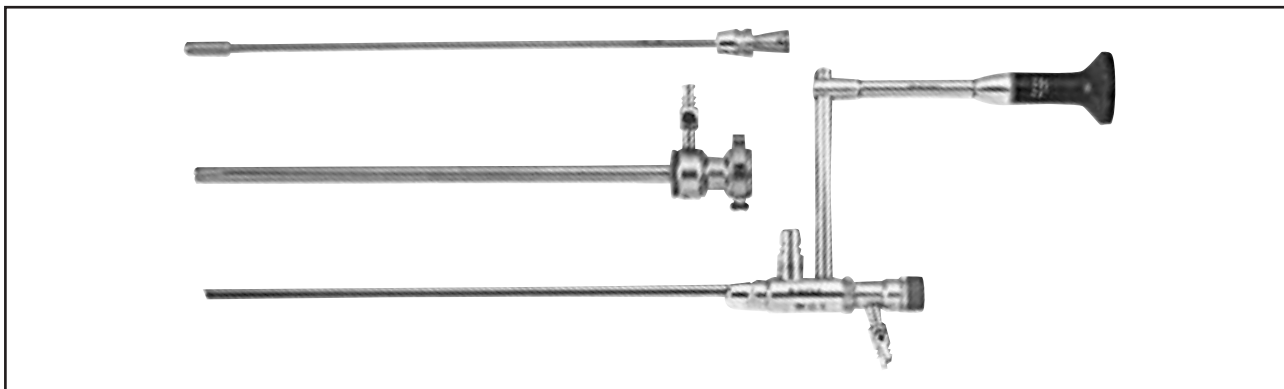
Universal Percutaneous Nephroscope



20.8 Fr. Long Ultrathin Nephroscope features universal applications for obese patients with 205 mm WL., to pediatric patients with its Ultrathin 20.8 Fr. diameter. The insert capacity is 3.5 mm \varnothing , includes 8964.711 irrigation adapter8964.401
20.8 Fr. Long nephroscope sheath, 205 mm WL8964.021
20.8 Fr. Long hollow obturator for 8964.021, 205 mm WL8964.121
Replacement sealing membranes for irrigation adapter, 5/pkg89.102
(Recommended forceps: 8962.60; 8962.61; 8964.601; and, 8964.671)	
Replacement sealing caps, 12/pkg89.02BL

24 Fr. Long Compact Nephroscope






Compact Percutaneous Nephroscope



24 Fr. Long Compact Nephroscope features longer worker lengths for obese patients, 205 mm WL., insert capacity is 3.5 mm \varnothing , includes 8964.711 irrigation adapter8965.401
24 Fr. Long compact nephroscope sheath, 205 mm WL8965.041
24 Fr. Long hollow obturator for 8965.041, 205 mm WL8965.141
Replacement sealing membranes for irrigation adapter, 5/pkg89.102
(Recommended forceps: 8962.60; 8962.61; 8964.601; and, 8964.671)	
Replacement sealing caps, 12/pkg89.02BL

Accessory Instruments

For percutaneous low-pressure universal nephroscope by Marberger

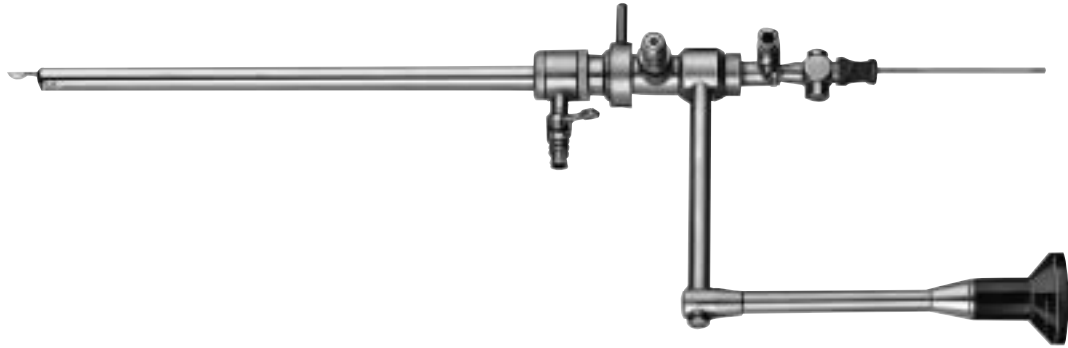
<i>Instrumentation</i>	<i>For use in the operating channel of all nephroscopes 8962.433 and 8972.433</i>		<i>Type</i>
	<i>Description</i>	<i>Blade Design</i>	
	Stone forceps, rigid	<i>For extraction of larger fragments</i>	8964.601
	Angled stone forceps, rigid	<i>Angled distal-end by Wickham-Miller</i>	8962.602
	Stone grasping forceps, rigid	<i>Alligator jaws</i>	8962.60
	Stone grasping forceps, rigid	<i>"Peanut" style</i>	8962.61
	Three-pronged stone grasper, rigid	<i>Self-closing</i>	8964.671
	Spare grasper insert	<i>Self-closing</i>	8964.675

Accessory Instruments

For percutaneous low-pressure universal nephroscopes by Marberger


Scalpel for slitting UPJ strictures

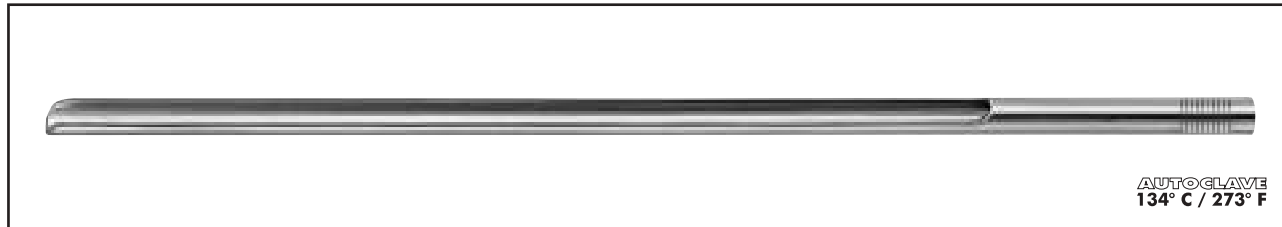
For use in the operating channel of nephroscopes, 8962.433 and 8972.433



AUTOCLAVE
134° C / 273° F

5

Instrumentation	Description	Blade Design	Type
	Stricture scalpel	Half-moon shaped	8962.951



AUTOCLAVE
134° C / 273° F

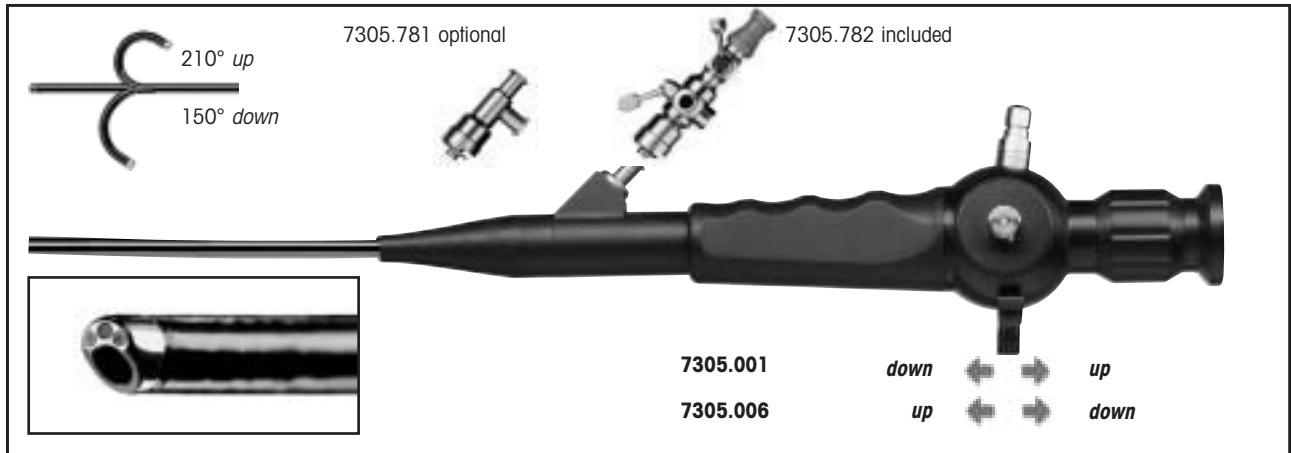
For introducing balloon catheters:

Guide tube, 21 Fr.

with lateral opening8962.291

Systems for intracorporeal lithotripsy see page Litho 4.1 - Litho 10.2

15 Fr. Flexible Nephroscope 7.5 Fr. Channel



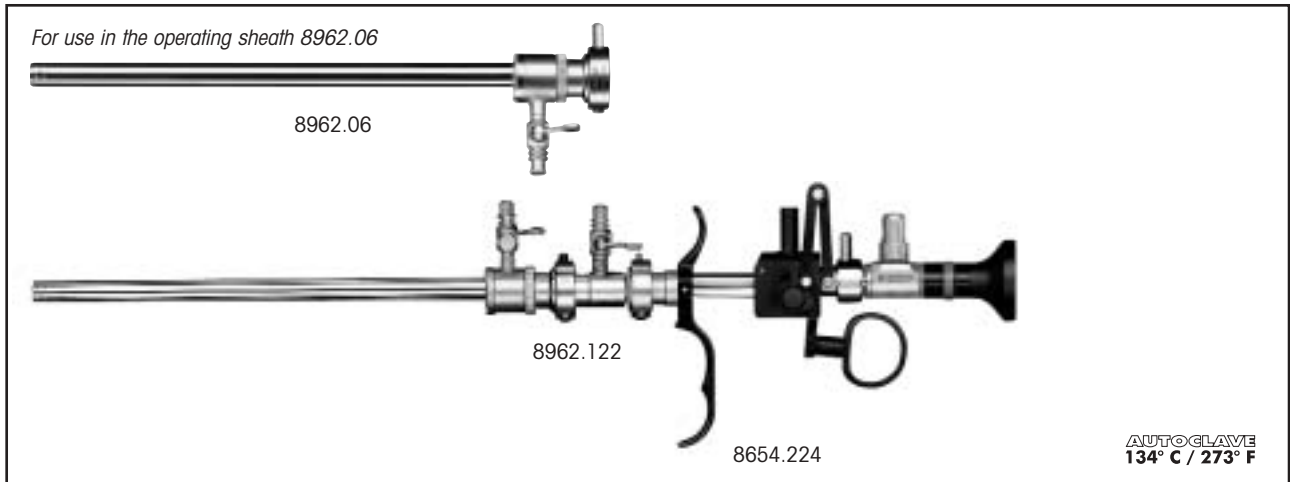
- ❑ Large operating channel 7.5 Fr., with a small sheath circumference of only 15 Fr.
- ❑ Stone extraction from awkward areas is easier
- ❑ Diagnosis of tumors in the entire renal pelvis
- ❑ 0° position of the instrument tip can be clearly felt on the control lever to reduce channel perforations
- ❑ Reduced weight and ergonomic design for optimal handling and less strain on the operator
- ❑ Immersible and suitable for gas sterilization

Instrumentation	Outer diameter	Operating channel	Working length	Type
Flexible Nephroscope including instrument port (7305.782), flexible grasping forceps (8736.685), leakage tester (163.903), gas sterilization valve (163.904), cleaning brush (7264.691), case	15 Fr.	7.5 Fr.	400 mm	Forward movement of the control lever provides downward movement of the tip 7305.001
				Forward movement of the control lever provides downward movement of the tip 7305.006

Optional: Light cable 2.5 mm Ø	—	—	3000 mm	8061.256
Flexible biopsy forceps	6.5 Fr.	—	550 mm	829.055
Attachment with 2 Luer connectors, quick-lock mechanism	—	—	—	7305.781

Instruments for Resection of Tumors in the Renal Pelvis

For universal nephroscope by Marberger



Inner sheath

insulated distal tip8962.122


Working element

passive cutting action8654.224

Cutting electrodes, 24 Fr.

loop 0.3 mm wire, 10 / box, sterile.....8424.1310

Optional:

Endoscopes	∅	Viewing angle	Enlarged image and objective field
	4 mm	12°	8654.411
		25°	8654.402

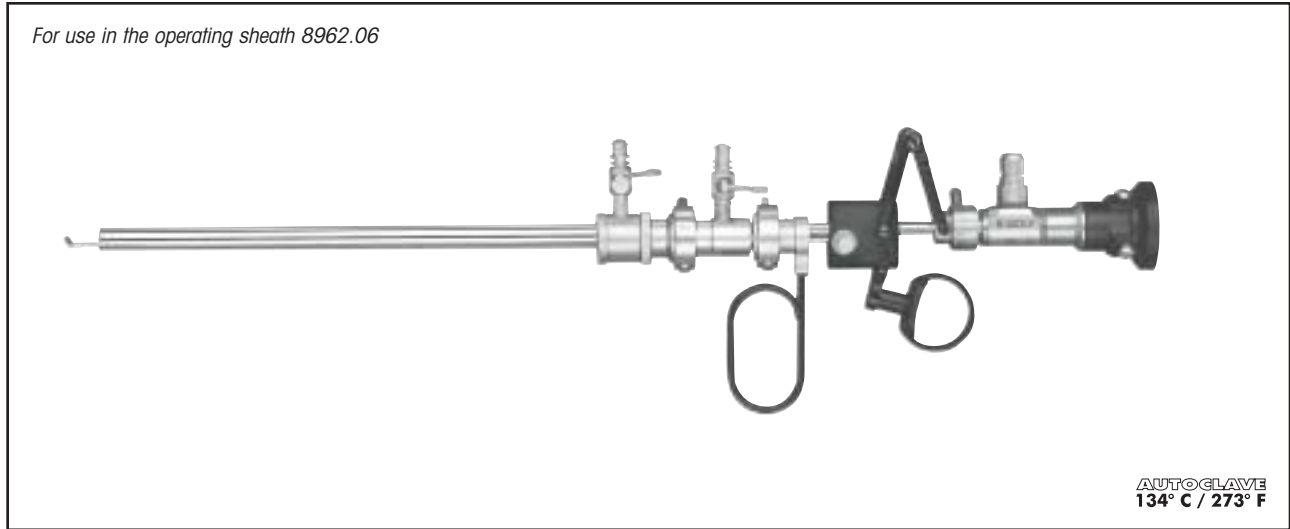
Further electrodes see page Res 11.2

Further information on R. WOLF PANOVIEW PLUS endoscopes,
see page Cys 3.1

***- Requires HF connecting cable...815.033**

Optical Percutaneous Ureterotome

For universal nephroscope by Marberger



Inner sheath

distal end insulated8962.122

Working element

for stricture scalpels.....8667.911







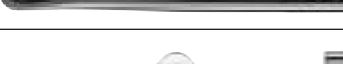

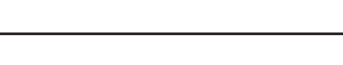
also:

Endoscopes	∅	Viewing Angle	Enlarged image and objective field
	4 mm	0°	8650.404
		12°	8654.411

Further information on R. WOLF PANOVIEW PLUS endoscopes, see page Cys 3.1

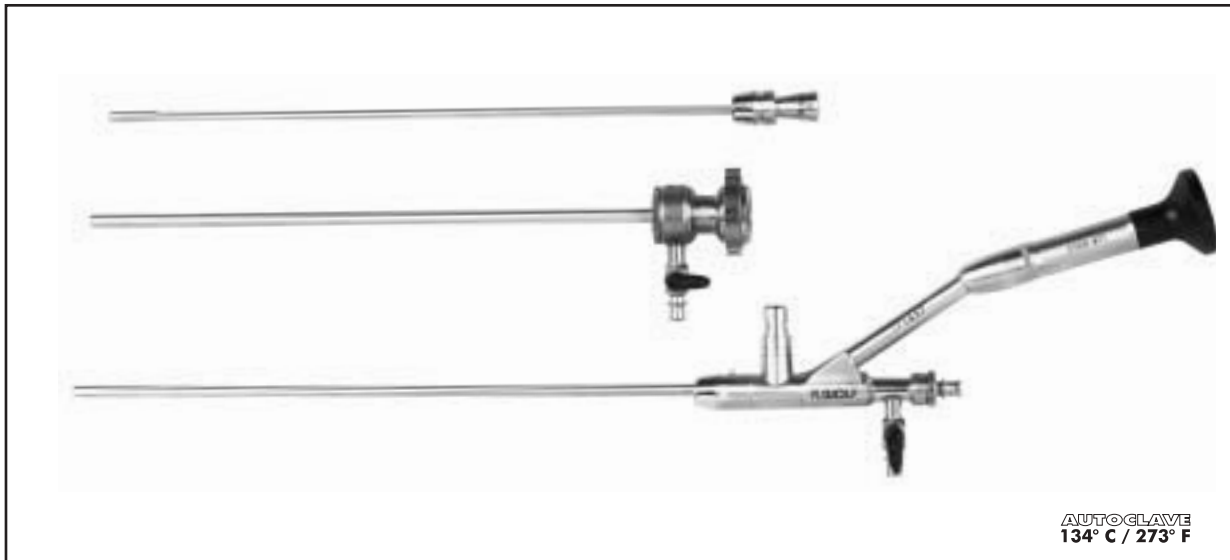
Instruments for Percutaneous Slitting of Strictures

For universal nephroscope by Marberger

Stainless steel stricture scalpels	Hollow	Solid	Blade design	Type	
				Rigid	Flexible
	•		Half-moon	8667.965	—
	•		Serrated blade	8667.955	—
		•	Half-moon	8667.96	—
		•	Serrated blade	8667.95	—
		•	Lancet-shaped	8667.98	—
		•	Hook-shaped	8667.94	—
		•	Sickle-shaped	8667.93	—
	•		Working length up to 20 mm	—	8667.852*
	•		Working length up to 60 mm	—	8667.856*

* Optional: For slitting UPJ strictures under vision via a guide wire and via inner sheath, 8962.122:

15 Fr. Mini Percutaneous Nephroscope Ideal for pediatrics and adolescents

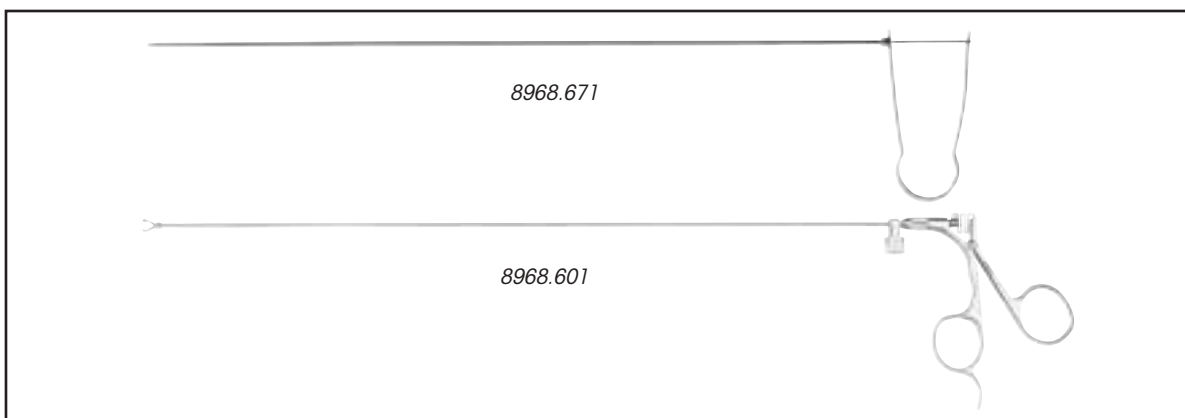


Suitable for children and adults, e.g. for stones in the ureter, impacted calyceal stones, stone fragments following ESWL

- Effective low-pressure continuous irrigation in a small caliber design
- Instrument channel for 1.9 mm accessory instruments
- Accommodates an ultrasound sonotrode, stone forceps, stone grasper etc.
- 15 Fr. or 18 Fr. sheaths with rotatable irrigation tap and irrigation outlets at the distal end 205 mm WL
- Hollow obturators for use over a guide wire

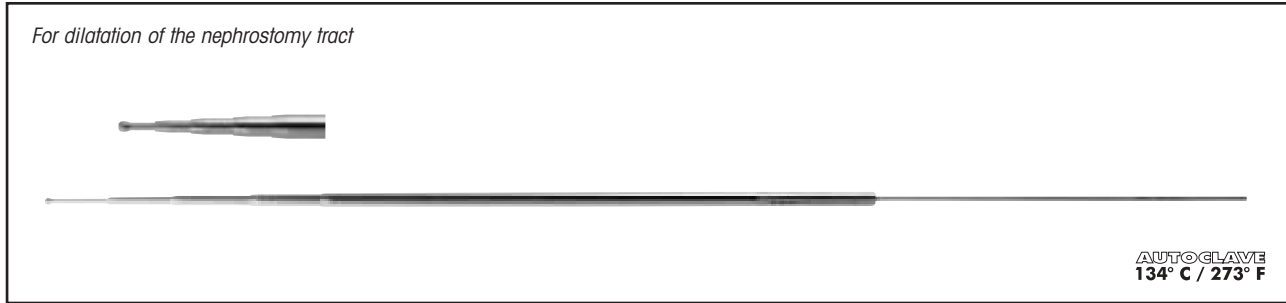
Mini Nephroscope, 12°, 2.4 mm ϕ insert capacity, fused quartz optics. 8968.421

- 15 Fr. hollow obturator for 8968.001 8968.101
- 15 Fr. operating sheath with irrigation outlets at the distal end with rotatable irrigation tap, 205 mm WL 8968.001
- 18 Fr. operating sheath with irrigation outlets at the distal end with rotatable irrigation tap, 205 mm WL 8968.011
- 18 Fr. hollow obturator for 8968.011 8968.111
- 3 prong stone grasping forcep, 2 mm ϕ 8968.671
- Stone grasping forceps, 2 m ϕ 8968.601



Dilators and Accessory Instruments

For small caliber percutaneous low-pressure universal nephroscope



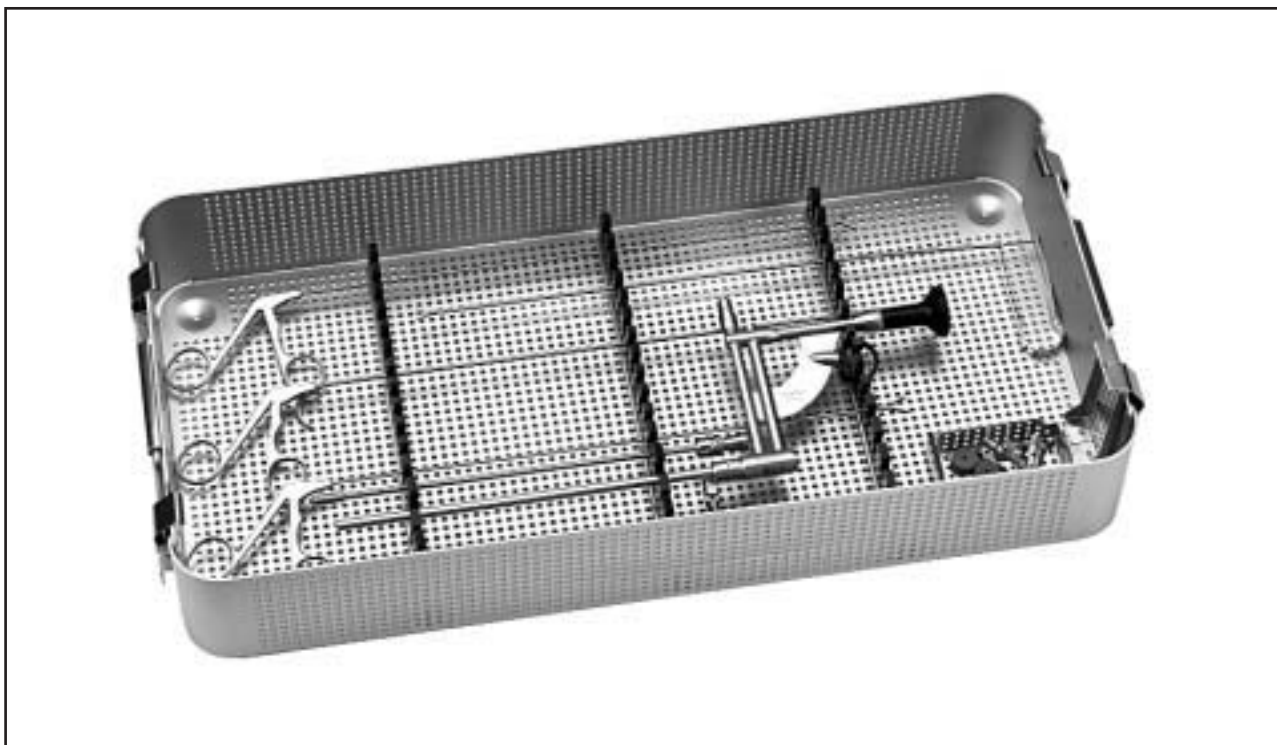
Telescopic dilator, 9 - 18 Fr.

for use over a guide wire8955.185

Instruments	For use in the Mini Nephroscope 8968.421		Type
	Description	Tip design	
	Stone grasping forceps, rigid	Finely serrated jaws	8968.601
	Stone grasper, rigid	3-pronged	8968.671

Systems for intracorporeal lithotripsy see pages Litho 0.1 - Litho 10.2

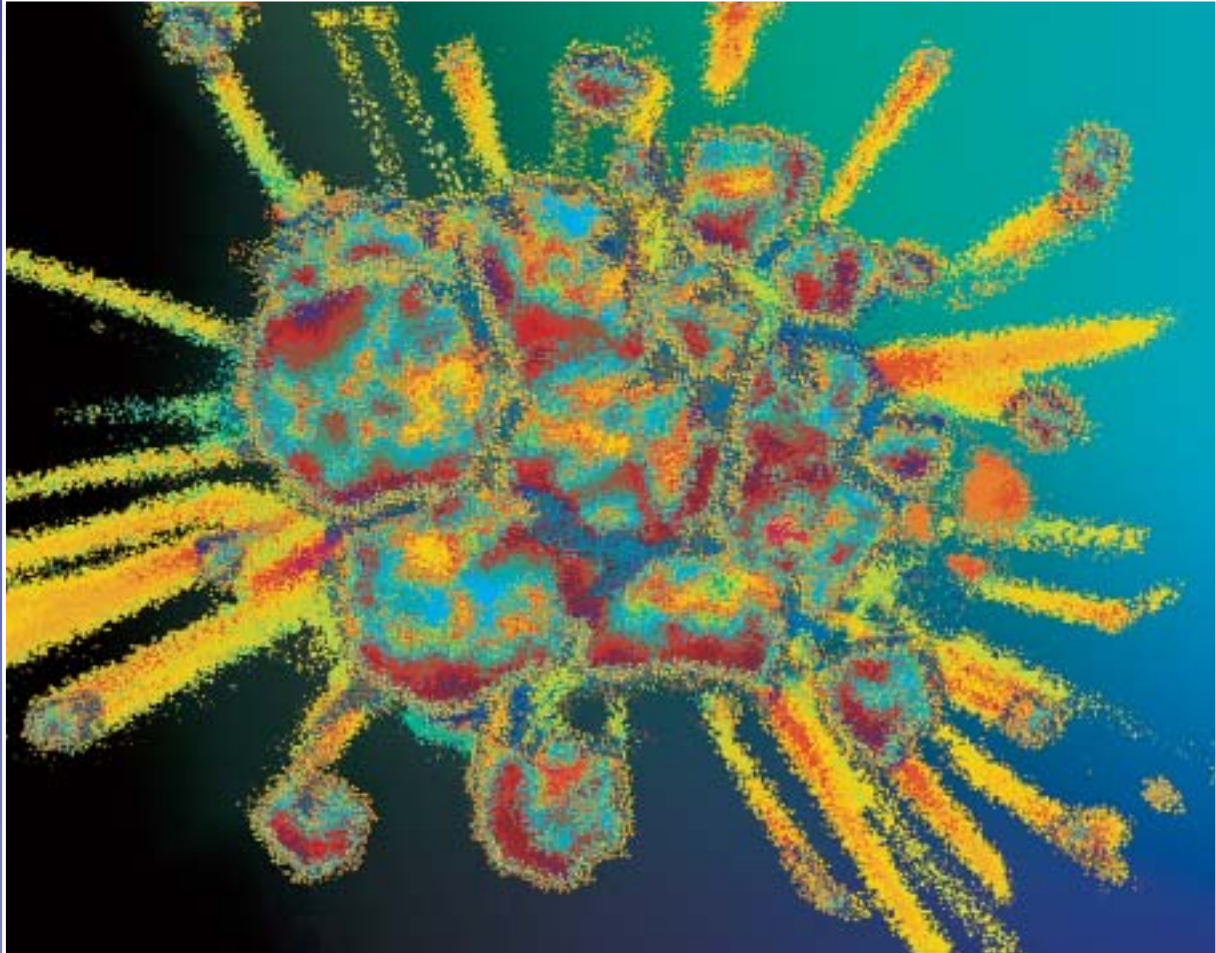
Universal Instrument Tray - 3" and 5" Deep



- Good for PCN Trays and a wide variety of other instrumentation.
- Tray features three silastic bars that can accommodate 15 pieces of Instrumentation and more so if you have short items.
- Comes with a compartment tray to hold loose items

11

Description	Dimensions (l x w x h)	Type
Universal instrument tray, 5" deep, dual level tray	23" x 11" x 5"	8585.025
Universal instrument tray, 3" deep, single level tray	23" x 11" x 3.5"	8585.023



Lithotripsy

Lithotripsy

.....	0
.....	1
.....	2
.....	3
.....	4
<i>RIWOLITH 2280 EHL</i>	4
.....	5
<i>Ultrasound generator 2271</i>	5
.....	6
<i>Suction pump 2207</i>	6
.....	7
<i>Continuous irrigation bladder stone lithotripsy</i>	7
.....	8
.....	9
.....	10
<i>Bladder stone and foreign body forceps</i>	10
.....	

RIWOLITH 2280

For electrohydraulic shock wave lithotripsy



4

- ❑ Continuously adjustable power output for efficient and accurate electrohydraulic lithotripsy
 - particularly suitable in narrow anatomical structures, e.g. in the ureter
- ❑ Three operating modes - single pulse, pulse burst, continuous pulse
- ❑ Pulse burst frequency between 6 and 20 Hz, continuously adjustable
- ❑ Automatic probe identification and maximum power output regulation to the RIWOLITH probe selected
- ❑ Integrated probe monitoring with optical and acoustic warning signal indicating probe exhaustion
- ❑ Safety concept with multiple systems for monitoring the output power
- ❑ LED display of probe size and operating mode
- ❑ Bar display of power output and frequency setting

RIWOLITH 2280

Shock wave generator

With continuously adjustable power output

Includes:

Foot-switch (2030.12), power cable, 60 Hz,

115 / 120 V a.c.2280.004

Requires (not included):

Connecting cable for EHL unit to

EHL probes.....2280.991

Technical Data

RIWOLITH 2280

Standards	IEC 601-1 / 601-1-2 & UL-2601-1
Pulse frequency	6 - 20 Hz
Power supply	115 / 120 V ; 60 Hz
Power consumption	approx. 200 W
Dimensions (w x h x d)	495 x 168 x 341 mm
Weight	15.5 kg

RIWOLITH Probes

For RIWOLITH 2280

Fr.	Tip	Probe	With focused shock wave	Field of application				Type Working length		
				Bladder	Rigid URS	Flexible URS	Flexible nephroscope	Rigid nephroscope	700 mm	1050 mm
9	9	9	—	●	—	—	—	●	2280.0915	—
5	5	5	—	—	—	—	●	●	2280.1515	—
3.3	2.3	●	●	●	—	—	●	●	2280.335	—
		●	—	—	●	●	—	—	—	2280.435
2.4	1.7	●	●	●	—	—	●	●	2280.325	—
		●	—	—	●	●	—	—	—	2280.425

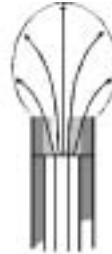
Focused pressure wave

with distally projecting probe head sleeve

- more effective lithotripsy through focusing of shock waves where the tangential traumatizing effect is minimized. (This is of great advantage under restricted anatomical conditions)



Standard version



With focused shock wave

Standard version

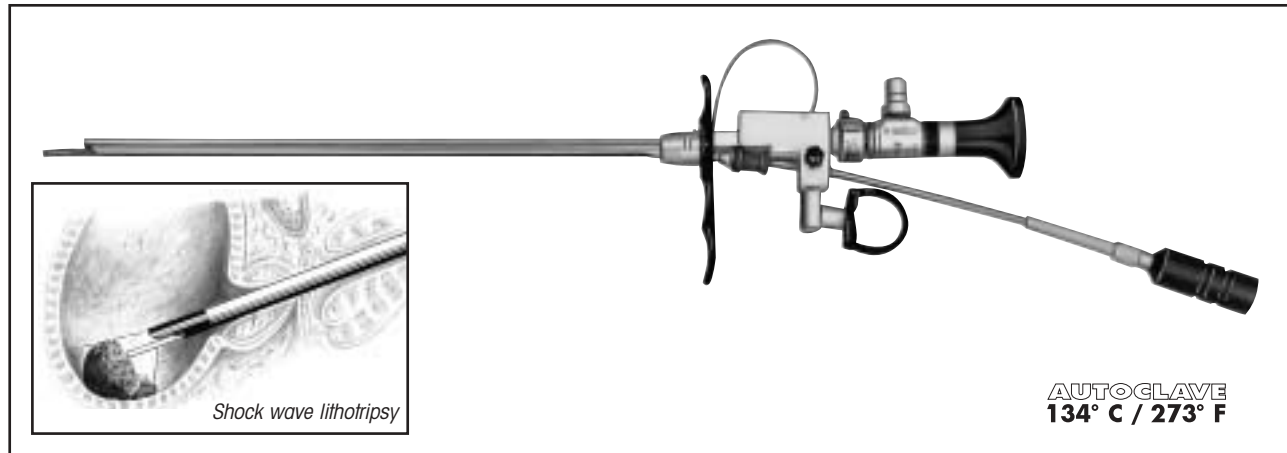
with distally flat probe head sleeve

Sterile, Single Patient Use Only

EHL probes are sold sterile, individually packaged, in boxes of 5.

Working Element for Shockwave Lithotripsy of Bladder Stones

For RIWOLITH 2280



Working element for shockwave lithotripsy

with 9 Fr. RIWOLITH probes8654.285

For use with:

24 Fr. resectoscope sheaths or larger (continuous irrigation from 27 Fr.) and the 24 Fr. 8632 sheath from the Operating Cystoscope by Morganstern

or

21 Fr. urethro-cystoscope sheath (8652.044) in conjunction with the PANOVUE PLUS endoscopes 0°, 12° or 25° (see page Cys 3.1)



Dual purpose working element for shockwave lithotripsy

with 5 Fr. RIWOLITH probes8654.281

Lithotripsy and TUR can be accomplished in one session with continuous irrigation using 27 Fr. continuous irrigation resectoscope sheaths

Ultrasound Generator 2271

For ultrasound lithotripsy



5

- Automatic regulation of the ultrasound transducer by PLL technology, *i.e.* the oscillation frequency of the transducer is *always* optimally tuned regardless of the transducer or probe being used
- Increased ultrasound output power
- Higher transducer efficiency
- Low noise
- Monitoring of the ultrasound output power with warning function if the output power is too high
- Monitoring of the transducer oscillation with a warning signal to indicate *malfunction*

Ultrasound generator 2271

with automatic regulation of the ultrasound transducer consisting of:

foot-switch (2030.12), 2 m long power cable, 50/60 Hz, 120/127 V ~2271.004

Requires (not included):

Ultrasound transducer2271.501

Optional:

1/4" wrench
to tighten probes74003.009

Ultrasound generator 2271

with optional "CAN-bus" interface for inclusion into "RIWO—NET" remote touch screen control, 120/127 V, 50/60 Hz.....2271.104

"CAN-bus" connecting cable, 0.6 m WL 103.701

Technical Data

Ultrasound generator 2271

Standards	IEC 601-1/UL-2601-1 / CSA C22.2 No. 6011
Ultrasound frequency	22 - 27 kHz
Power supply	120 / 127 V; 60 Hz
Power consumption	200 W
Dimensions (w x h x d)	320 x 90 x 360 mm
Weight	approx. 8.5 kg (18.7 lbs)

5

Technical Data

Ultrasound transducer 2271.501

Connecting cable	2 M
Dimensions	30 mm Ø x 143 mm
Weight	300 g

Ultrasound Probes

For 2271 ultrasound generator with
2271.501 ultrasound transducer

<i>Ultrasound probes</i>	<i>With oscillating burr</i>	\varnothing mm	<i>Shape</i>	<i>Working length</i> mm	<i>Type</i>
<i>For nephroscopy</i>	—	1.9	<i>Straight</i>	343	8962.519
	—	2.4	<i>Straight</i>	359	8962.524
	—	3.5	<i>Straight</i>	362	8963.535
	—	4.0	<i>Straight</i>	362	8962.541
	●	3.5	<i>Straight</i>	366	8963.635
	●	4.0	<i>Straight</i>	365	8962.641
<i>For uretero-renoscopy</i>	—	1.5	<i>Straight</i>	564	8954.515
	—	1.9	<i>Straight</i>	562	8954.519
	—	1.5	<i>Straight</i>	444	8959.515
	—	1.9	<i>Straight</i>	444	8959.519

Cleaning rods, 3.5 - 4.0 mm \varnothing

for transducers and percutaneous probes2167.508

Cleaning rods, 1.5 - 2.4 mm \varnothing

for ureteral probes2167.509

Note:

We recommend having 3 exchangeable ultrasound probes as a basic set!

Roller Suction Pump 2207



For continuous aspiration of irrigation fluid and stone debris.

- Adjustable evacuation flow rates from 0.25 - 2.5 l/min
- Suction control for pressure setting between -0.1 and -0.6 bar
- Secretion trap for collecting irrigation solution and smaller particles

Roller suction pump

Includes:

- collecting bottle (4172.501)
- twist-lock bottle top with connections (2207.976)
- complete tubing set (8170.121)
- replacement roller pump tubing (pack of 5) (64226.014)
- collecting bottle holder (2232.841)
- flow sensor (2207.966) and flow sensor cable (2207.961)
- low pressure suction measuring hose (8170.411)
- power cable (N710154)
- synchronization cable to 2271 US Generator (2207.991)
- hygiene filters, sterile, single patient use, 10/pkg (4171.112)
- CAN - bus connecting cable, 0.6 m, for 2207.12 (103.701)

100 - 230 V, 50/60 Hz2207.011

Optional CAN - bus wiring:

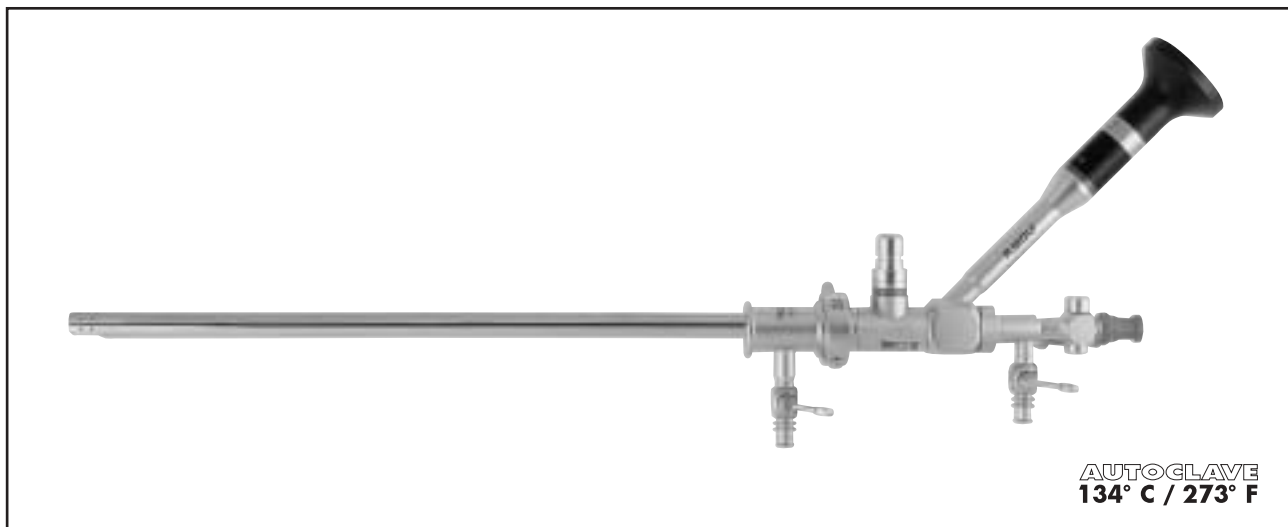
100 - 230 V, 50/60 Hz2207.012

Technical Data

Roller Suction Pump 2207

Type	2207.011 / 2207.012
<i>Safety class complying with UL 2601-1 / CSA C22.2 No. 601.1 - for USA</i>	I
<i>Classification</i>	BF
<i>Directive Medical Device Products 93/42EEC</i>	Class IIa
<i>Interference suppression complying with DIN CDE 0871</i>	Limit class B
<i>Low pressure range</i>	-0.1 bar to -0.6 bar
<i>Speed range</i>	50 - 450 rpm
<i>Fuse</i>	T2.0L
<i>Power supply</i>	100 - 230 VAC, 50/60 Hz
<i>Capacity load</i>	70 VA
<i>Capacity</i>	0.25 - 2.5 l / min
<i>Dimensions (w x h x d)</i>	320 x 105 x 405 mm
<i>Weight</i>	18.7 lbs (8.5 kg)
<i>Space required with bottle (w x h x d)</i>	430 x 300 x 405 mm

Continuous Irrigation Bladder Stone Lithotripsy



7

- ❑ Straight probe channel for accessory instruments of up to 3.5 mm in diameter
 - *Ultrasound probe*
 - *Electrohydraulic probe*
 - *Pneumatic probe*
 - *Forceps and accessories*
- ❑ Continuous irrigation
 - *Irrigation water inlet via probe channel of the operating endoscope*
 - *Irrigation water outlet via tap on outer sheath*
- ❑ Combined application for cystolith litho/TURP
 - *without sheath change*
- ❑ The operating endoscope can also be used in 24 Fr. resectoscope sheaths

PANOVIEW PLUS Operating Cystoscope

by Morganstern, 20°8632.411

Requires:

Sheath, 24 Fr.8632.111

Obturator, standard oblique tip, 24 Fr.8654.17

Timberlake obturator, for oblique tips, 24 Fr.8654.67

For stone extraction:

Stone grasping forceps

distally offset,, by Wickham-Miller8962.602

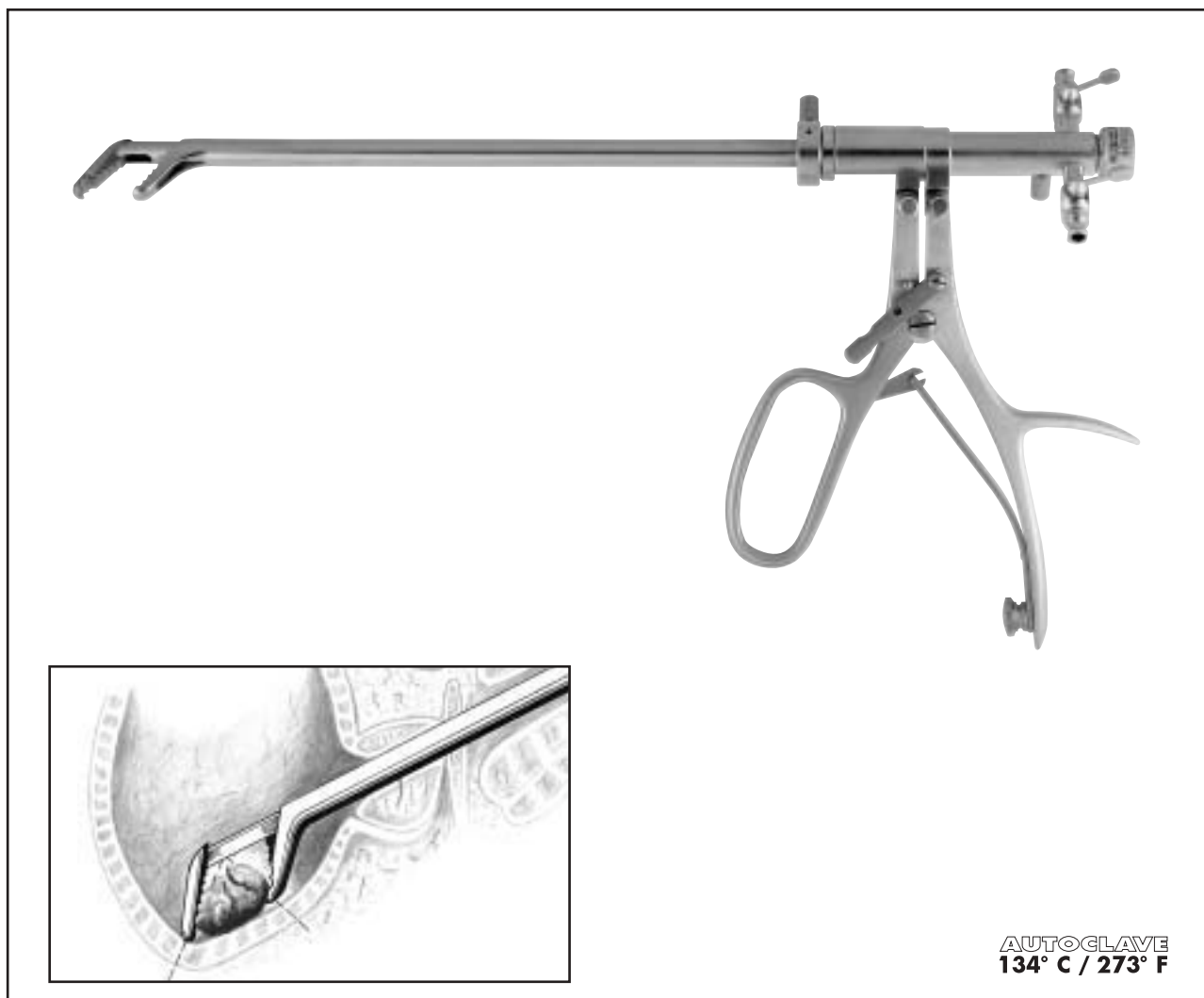
Stone grasping forceps, alligator shaped jaws8962.60

Stone grasping forceps, peanut shaped jaws8962.61

Stone grasping forceps, claw shaped jaws8964.601

3 prong grasping forceps8964.671

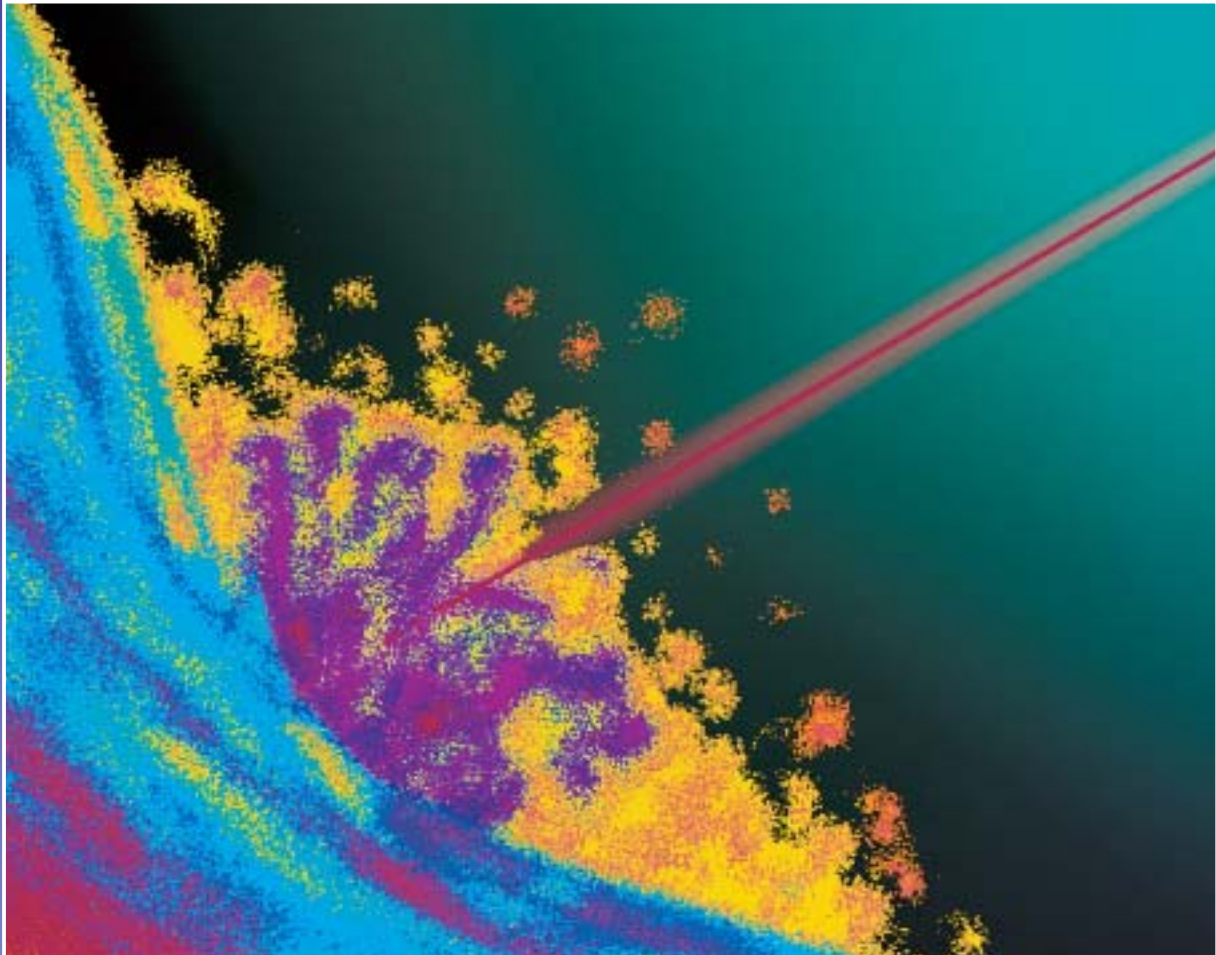
Bladder Stone Lithotripter



10

- Both jaws of the opened forceps are in field of view
- Easy to dismantle for cleaning and sterilization

Cystoscopic lithotripter, 25.5 Fr.
 with forceps handle for extremely hard stones8658.02
PANOVIEW PLUS endoscope, 70°, fixed eyepiece,
 with enlarged image and objective field8650.405

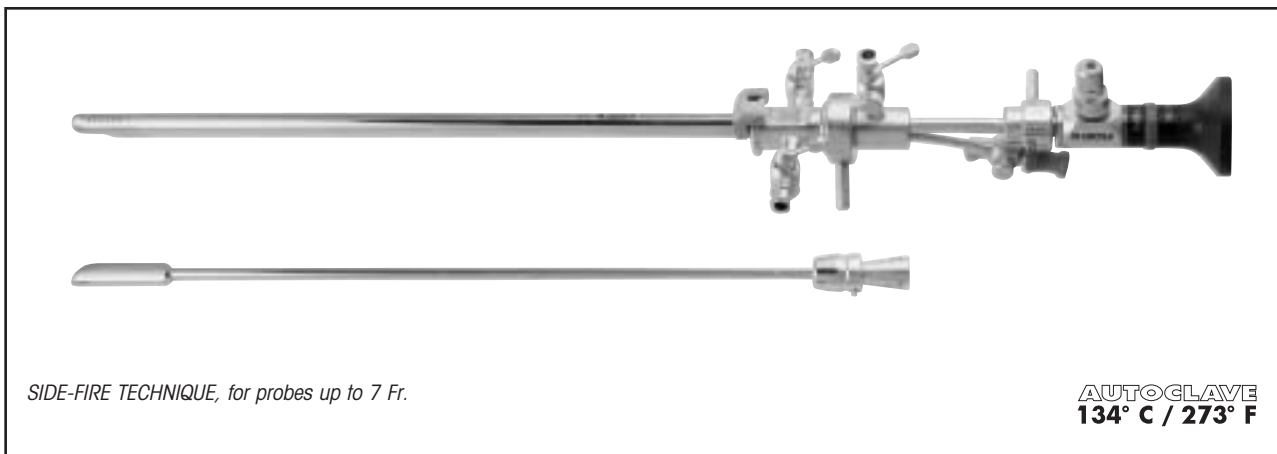


Laser Therapy


Laser Therapy

.....	0
.....	1
.....	2
<i>Continuous flow cystoscope</i>	3
.....	4
<i>Laser working element</i>	5
<i>Compact cystoscope</i>	6
<i>VLAP Set by Morganstern</i>	7
<i>Laser cysto-urethroscope</i>	8
<i>Flexible laser cystoscope</i>	9
.....	10
.....	11
.....	12
.....	13
.....	14
.....	15

E-line Continuous Irrigation Cysto-Urethroscope 21 Fr.
 For office and hospital

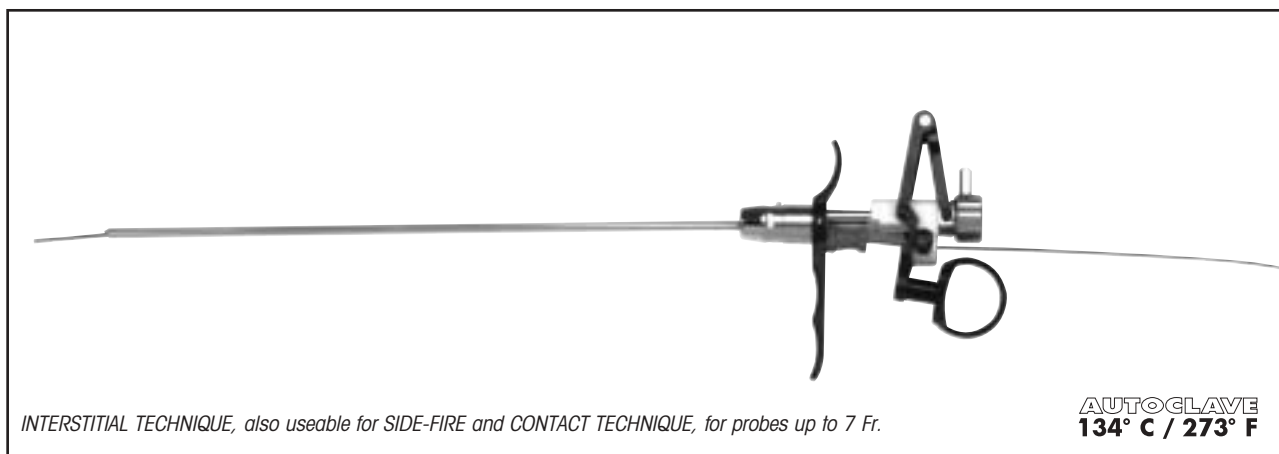


3


Endoscopes	∅	Viewing angle	Enlarged image and objective field
 Fixed eyepiece	4 mm	12°	8654.411
		25°	8654.402

Sheaths	Type
Outer sheath, 21 Fr. with two irrigation taps	8632.024
Obturator, 21 Fr., 8632.024	8632.121
Inner sheath with irrigation tap and instrument port for probes up to 7 Fr.	8632.025
Guide sheath with lateral window for balloon catheters up to 18 Fr.	8632.904

Laser Working Element



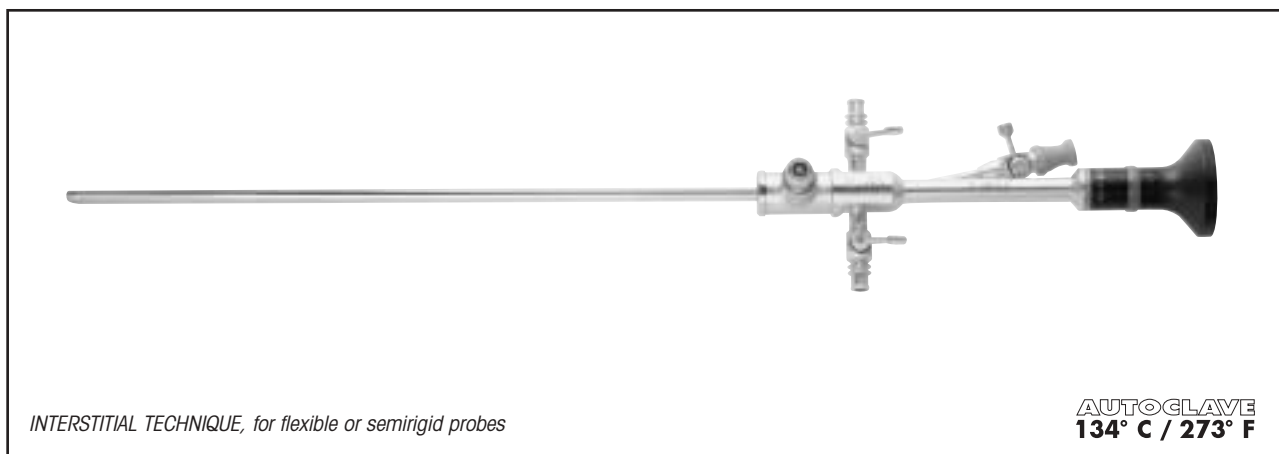
5

Endoscopes	∅	Viewing angle	Enlarged image and objective field
	4 mm	12°	8654.411
		25°	8654.402

Instrumentation	Type
Working element <i>with open handle and instrument guide channel</i>	8654.281
Sheath 21 Fr. <i>for urethrocystoscopy applications, incl. obturator</i>	8652.044

For incontinence therapy	Type
Injection cannula flexible, 4.5 Fr.	8654.951

14 Fr. or 17 Fr. Compact Cysto-Urethroscope

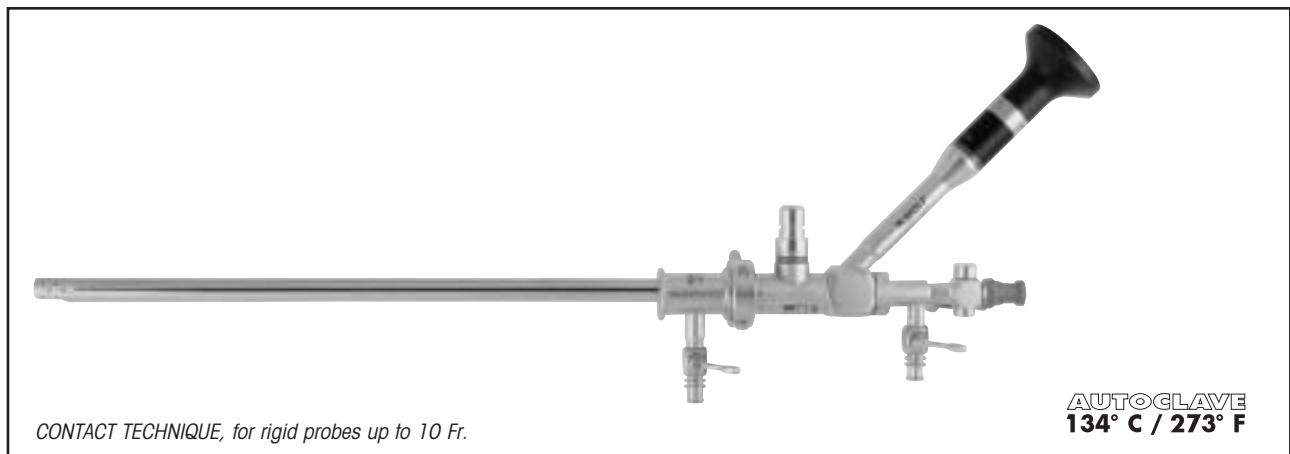


6

- ❑ *Powerful PANOVIEW PLUS endoscope*
 - *25° wide angle of view*
 - *Panoramic field of view*
 - *High resolution, ideal for video applications*
- ❑ *Atraumatic distal tip*
- ❑ *Simple compact and sturdy design*
- ❑ *Oval operating channel for optimal visualization with instrumentation*

<i>Compact Cystoscope Size</i>	<i>Viewing angle</i>	<i>Working Length</i>	<i>Insert Capacity</i>	<i>Type</i>
14 Fr.	25°	220 mm	5Fr.	8642.403
17 Fr.	25°	220 mm	7Fr.	8645.403

VLAP Operating Set by Morganstern



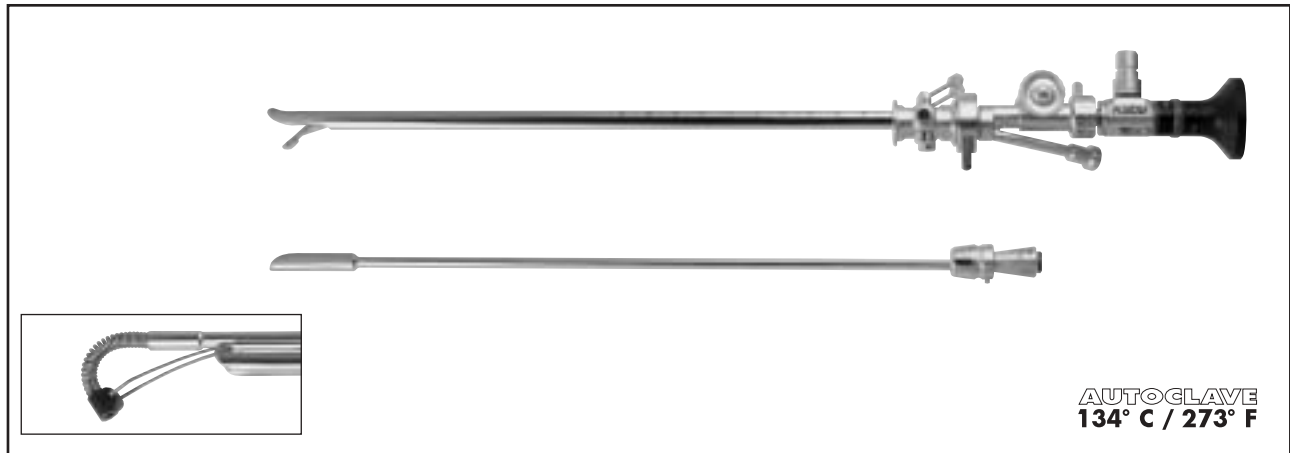
- Powerful PANOVIEW PLUS optics
 - 20° wide angle of view
- Optimum view due to fenestrated distal tip, requires sheath, 8632.111, for continuous flow

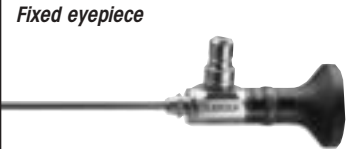
Operating set for VLAP by Morganstern

requires:

20° PANOVIEW PLUS-Operating Cystoscope by Morganstern	8632.411
24 Fr. Sheath	8632.111
24 Fr. Timberlake Obturator, for oblique tip sheaths	8654.67

Laser Cysto-Urethroscope



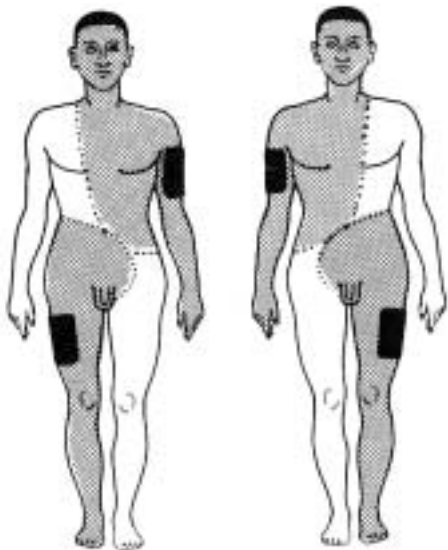
Endoscopes	∅	Viewing angle	Enlarged image and objective field
 Fixed eyepiece	4 mm	25°	8654.402
		70°	8650.405

Instrumentation	Range of deflection	Fr.	Type
Cysto-urethroscope sheath	—	19.5	8650.034
Laser cystoscope insert by Hofstetter, for flexible LASER LIGHT CABLES up to 600 µm ∅, threaded connector for interface M 10 x 0.75	0° - 60°	—	8650.674
Retro laser cystoscope insert for use of laser fibers with 400 µm ∅, with telescope adjustment mechanism, threaded connector for interface M 10 x 0.75 (see insert photo above)	0° - 130°	—	8650.754
Filter attachment, for Nd-YAG lasers	—	—	8650.982

For Application of HF-Instruments ... with unipolar high frequency connection

In instruments with unipolar connection the high frequency current flows through an electrode with small surface area into the tissue with a high current density. Once a certain current density is achieved, coagulating will occur. The current returns over large cross sections of tissue - without coagulating effect - to the large area patient grounding pad/plate and finally back to the high frequency generator via the cable connection.

1. The maximum output power of the unit must match the application. Units with very high output power may not be able to be finely adjusted in the lower power ranges. In gastroenterology, gynecology and ENT, the unipolar output power should not exceed 120 watts, or in units with coagulation current source incorporated for blended current, 170 watts.
For urologic resection, units with 300-400 watts of matched output circuit for aqueous cutting are required. The neutral electrode should be grounded for high frequency current (no floating output).
2. **Neutral electrode:** Do not use any bent or misshapen grounding pads / plates—fasten the pad to the patient's upper thigh. Ensure large-area contact with clean, hairless skin. It is beneficial to wipe the skin in advance with water. The patient should not come into contact with other metal parts (e.g. operating table, retainers) or damp materials (e.g. damp drapes or gowns).

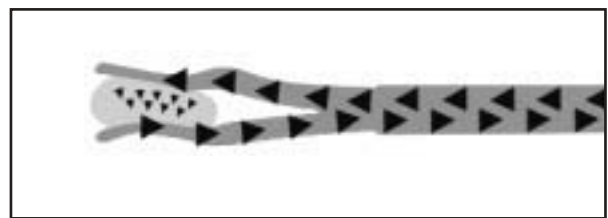


3. **Connection cables** to the neutral and active electrodes must be in good condition. The cables must be checked for current passage and for undamaged insulation and connecting plugs. Cables which are disinfected by soaking should be wiped dry inside and outside using a sterilized cloth. Connection cables supplied by Richard Wolf should be used.
4. If the patient is simultaneously connected to the high-frequency unit and a monitoring unit (e.g. ECG), special attention must be paid to the following: if both units are operated with grounded neutral electrodes, the neutral ECG cable must also be connected to the neutral surgery electrode. The high-frequency unit must not be used in the close vicinity of the ECG electrode (minimum distance 6 inches).
5. The **insulation** of the instruments and electrodes must be checked for damage prior to use. Damaged instruments and electrodes (even small marks or defects) may no longer be used. Touch plastic coated handles with rubber gloves only.
6. The **power** on the unit should be set only as high as is required for the operation. Baseline values should be obtained extracorporeally.
If the required coagulation or cutting effect is not achieved at the usual setting, the power may be increased, provided that: the neutral electrode is firmly in position; all lines and plug connections are in perfect condition; the instrument insulation has been checked; the metallic parts of the instruments and electrodes acting as the electrode are perfectly clean.
7. **High frequency** current should be used in body cavities in which endogenous combustible gases are present (e.g. in the rectum) only if complete removal of these gases or rinsing with CO₂ is accomplished. N₂O is not flammable but aids combustion and, therefore, must not be used for rinsing in such cases.

The following points must be observed in order to prevent accidental coagulation:

- Do not turn the frequency current on until the instrument or electrode is in place on the tissue to be coagulated or cut.
 - The live high-frequency electrode must not come into contact with any metallic parts of the endoscope.
 - The tissue sections grasped by the high-frequency forceps or loop must not contact small areas of adjacent tissue.
 - Tissue sections in strands (e.g. adhesions) should be coagulated at the thinnest point. If this is not achieved, secondary coagulation may occur at this thin point due to the high current density.
8. Special care should be taken when using high-frequency instruments or electrodes on patients with pacemakers or electrodes. It is possible that the pacemaker will either be irreparably damaged or that its functioning will be affected (ventricular flutter).
 9. **Information** provided by the instrument manufacturer should always be consulted and followed.

... with bipolar high frequency connections

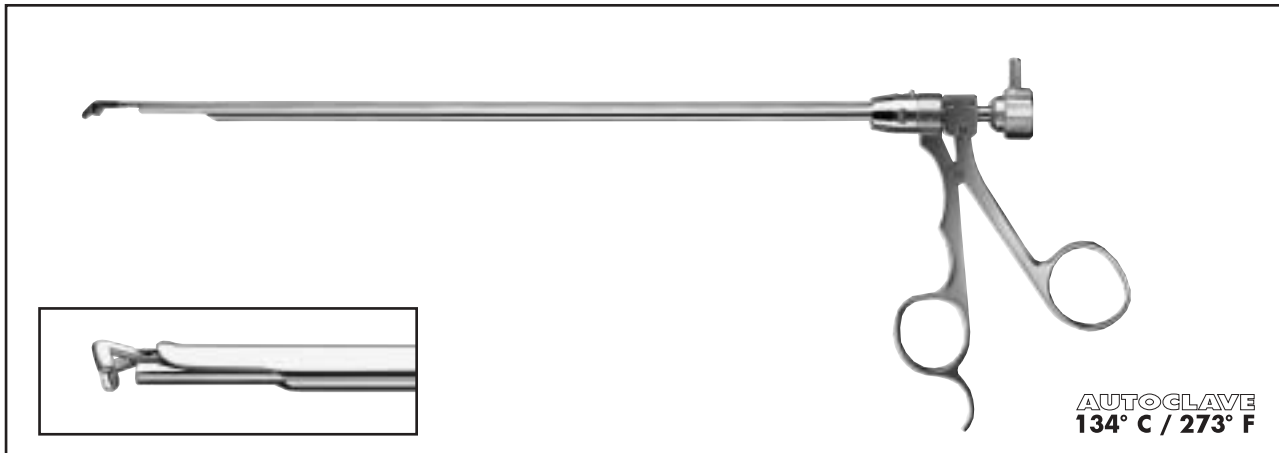


1. Use only high frequency electrosurgical units with a separate bipolar output circuit. The output for bipolar applications should be in the range of 40 to 80 watts. We recommend use of combined units with unipolar output circuit (maximum 120, and/or 170 watts and grounded electrode) and separate bipolar output circuit to control possible complications with the unipolar technique.
2. The patient grounding pad is not necessary for the bipolar technique when using a combined unit as recommended above. However, the pad should always be attached in preparation for use of instruments with unipolar connection (Attaching of patient pad is described in paragraph 2 above).
3. Connection cables of bipolar instruments must be in perfect condition and be checked for solid electrical connection and undamaged insulation and plugs.
4. **Insulation** of bipolar instruments must be checked before using them. Defective instruments must not be used.
5. **Set power** on the electrosurgical unit only as high as required for the application. Test the proper setting extracorporeally prior to application.
If necessary, the power may be increased, provided that:
 - Insulation of the instrument has been checked.
 - All cable connections and plugs are perfect.
 - The metal parts of the instruments are clean and free of debris.
6. **High frequency** current should be used in body cavities in which endogenous combustible gases are present (e.g. in the rectum) only if complete removal of these gases or rinsing with CO₂ is accomplished. N₂O is not flammable but aids combustion and, therefore, must not be used for rinsing in such cases.

The following points must be observed in order to prevent accidental coagulation:

- Do not turn the frequency current on until the instrument or electrode is in place on the tissue to be coagulated or cut.
 - The live high-frequency electrode must not come into contact with any metallic parts of the endoscope.
 - The tissue sections grasped by the high-frequency forceps or loop must not contact small areas of adjacent tissue.
 - Tissue sections in strands (e.g. adhesions) should be coagulated at the thinnest point. If this is not achieved, secondary coagulation may occur at this thin point due to the high current density.
7. Information provided by the instrument manufacturer should always be consulted and followed.

Accessory Instruments
For laser cysto-urethroscope

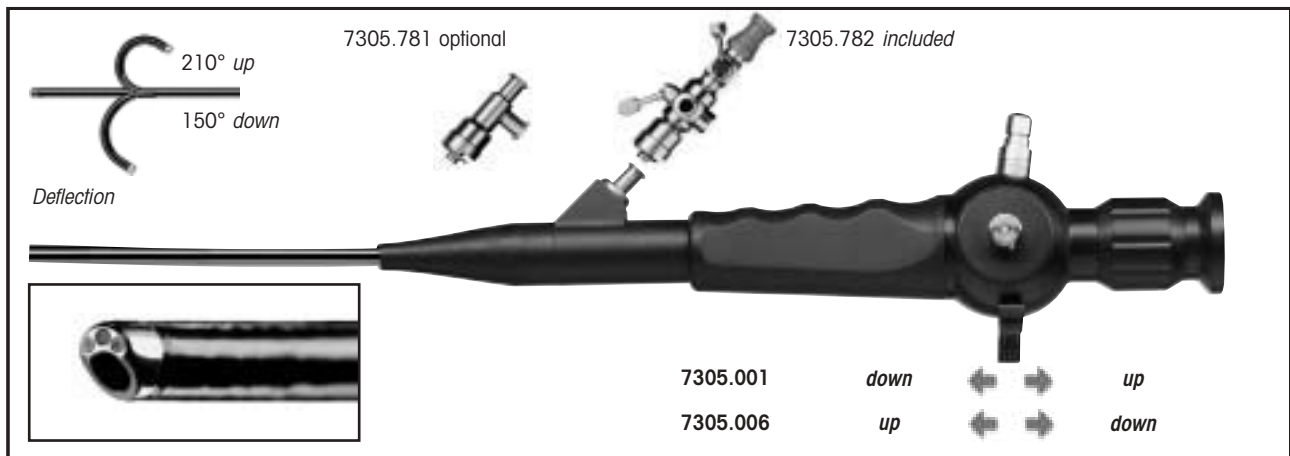


Retrograde Biopsy forceps
with large, spoon-shaped jaws, for sheaths
from 19.5 Fr.8650.774

Optional:

<i>Endoscopes</i>	\varnothing	Viewing angle	Enlarged image and objective field
Fixed eyepiece 	4 mm	0°	8650.404

15 Fr. Flexible Laser Cystoscope 7.5 Fr. Channel



- ❑ Large operating channel 2.5 mm / 7.5 Fr., with a small sheath circumference of only 5 mm / 15 Fr.
- ❑ Safe and atraumatic passage through the urethra is provided by the oblique distal tip
- ❑ 0° position of the instrument tip can be clearly felt on the control lever to reduce channel perforations
- ❑ Reduced weight and ergonomic design for optimal handling and less strain on the operator
- ❑ Immersible and suitable for gas sterilization

9

Instrumentation	Outer diameter	Instrument channel	Working length	Type
Flexible Laser Cystoscope including instrument port (7305.782), flexible grasping forceps (8736.685), leakage tester (163.903), gas sterilization valve (163.904), cleaning brush (7264.691), case	15 Fr.	7.5 Fr.	400 mm	Forward movement of the control lever provides downward movement of the tip 7305.001
				Forward movement of the control lever provides upward movement of the tip 7305.006

Optional: Light cable 2.5 mm Ø	—	—	3000 mm	8061.256
6.5 Fr. Flexible biopsy forceps	6.5 Fr.	—	550 mm	829.055
6.5 Fr. Flexible mouse tooth grasping forceps	6.5 Fr.	—	550 mm	8736.685
Attachment with 2 Luer connectors, quick-lock mechanism	—	—	—	7305.781
Filter attachment for ND-YAG-laser	—	—	—	8650.982



Pediatric Urology

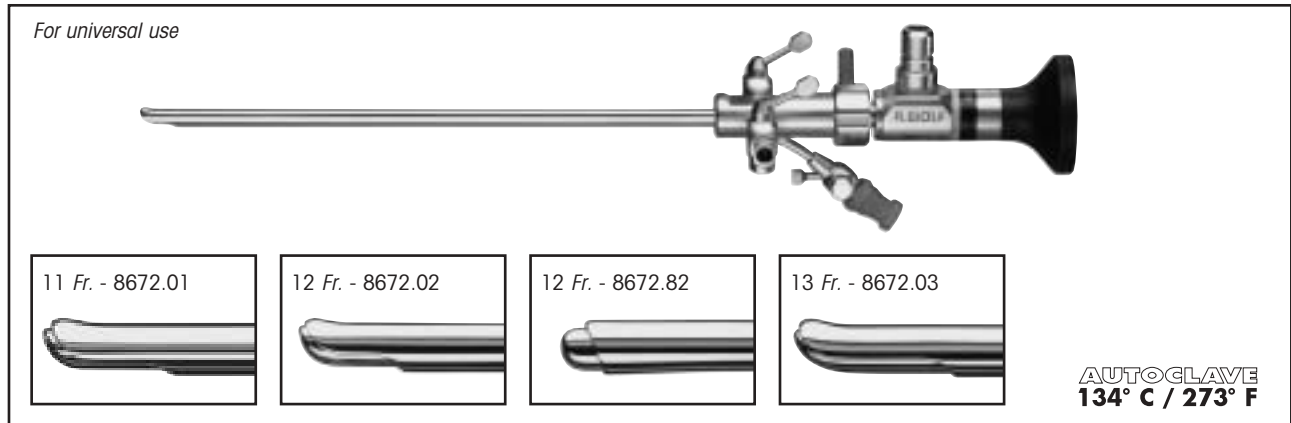
Pediatric Urology

.....	0
.....	1
.....	2
<i>Cysto-urethrosopes</i>	3
<i>Compact cysto-urethrosopes</i>	4
<i>Flexible pediatric cystoscope</i>	5
<i>Optical urethrotome</i>	6
<i>Resectoscopes</i>	7
<i>4.5 Fr. Blunt needle fiber optic ureteroscopes</i>	8
<i>Instrument storage trays</i>	9


Cysto-Urethroscope 8672

For 2.7 mm Endoscopes

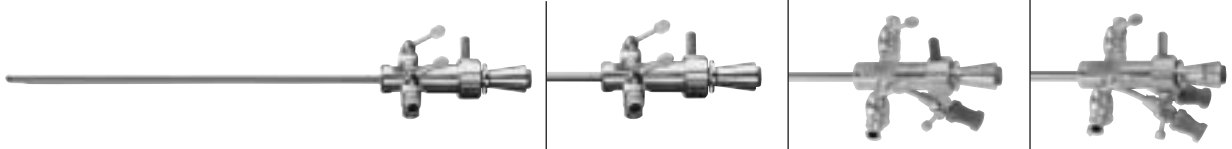
For children



3

Endoscopes	∅	Viewing angle	With enlarged image and brightness
 With fixed eyepiece	2.7 mm	0°	8672.411
		25°	8672.412
		70°	8672.413

Sheaths, with obturators



Type	Fr.	Color code	Capacity (Fr.)	Only for examination	1 Instrument port	2 Instrument ports
8672.01	11	red	—	•	—	—
8672.02	12	green	4	—	•	—
8672.82	12	green	4	—	•	—
8672.03	13	blue	1x5 or 2x4	—	—	•

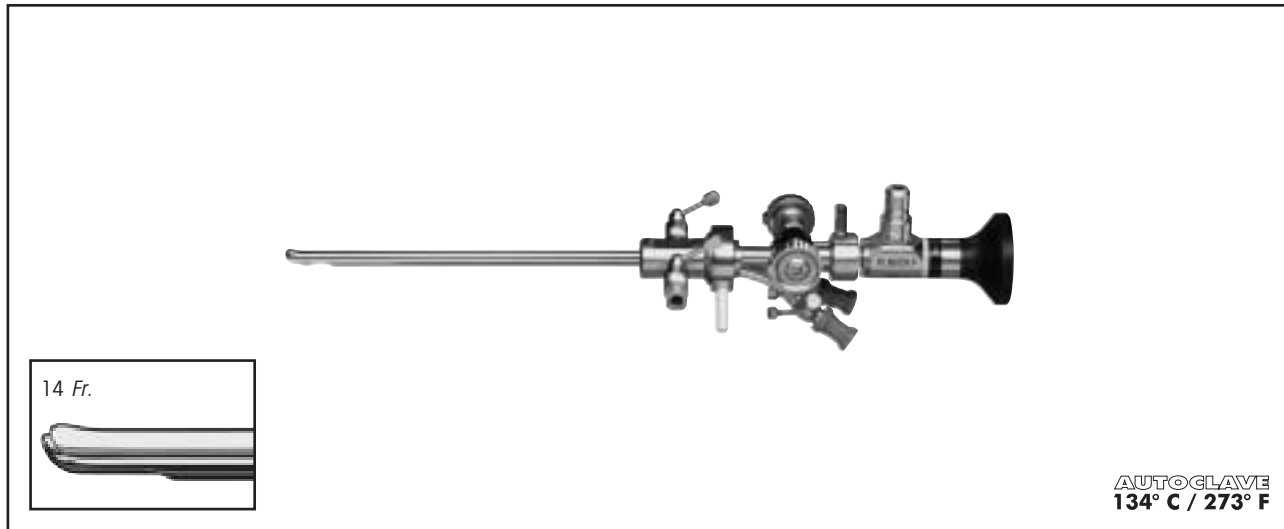
Optional:
Fiber light cable,
 2.5 mm bundle, 3 M WL8061.256


Flexible accessory instruments see pages Acc 10.1 & Acc 10.2


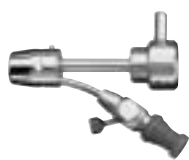


Cysto-Urethroscopes 8672 Series For 2.7 mm endoscopes

For children

3



Endoscopes	∅	Viewing angle	With enlarged image and brightness
 With fixed eyepiece	2.7 mm	0°	8672.411
		25°	8672.412
		70°	8672.413

Sheath, with obturator				Adapter	Insert with Albarran deflector	
						
Type	Fr.	Color code	Capacity (Fr.)	1 Instrument port	1 Instrument port	2 Instrument ports
8672.04	14	white	5	8672.26	8672.21	—
			2x4	—	—	8672.22

Optical Forceps



For cysto-urethroscope 8672

For use with 0° endoscope 8672.411 and sheath 8672.04



AUTOCLAVE
 134° C / 273° F

3

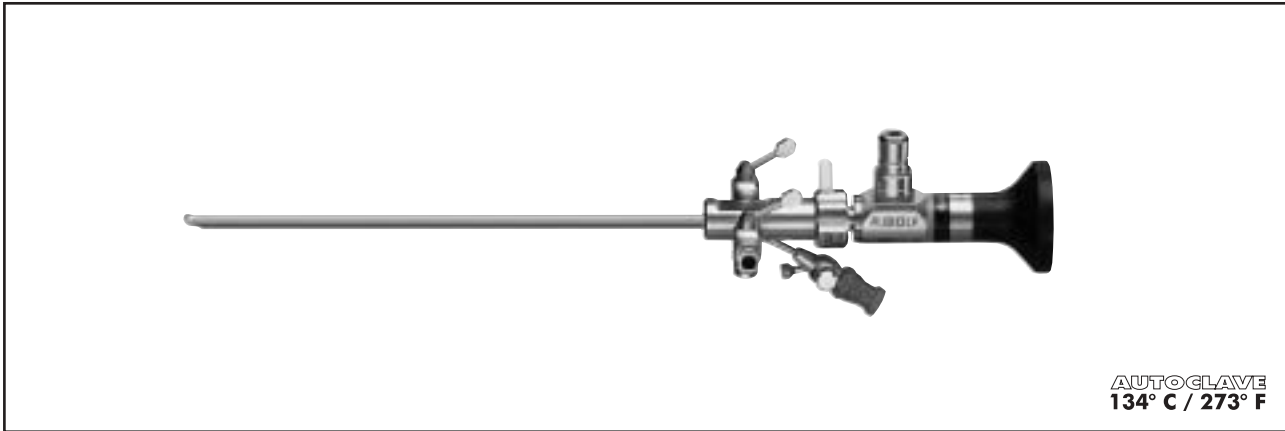
Instrumentation	For sheath	Type
<p>Biopsy forceps</p> 	<p>14 Fr.</p>	<p>8672.60</p>
<p>Foreign body forceps</p> 	<p>14 Fr.</p>	<p>8672.65</p>


Flexible accessory instruments see page Acc 10.1 & Acc 10.2

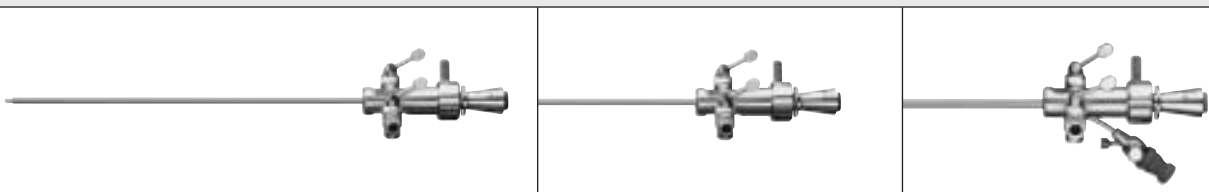
Cysto-Urethroscope 8686 For 1.9 mm Endoscopes

For neonates and children

3



Endoscopes	∅	Viewing angle	Enlarged image and brightness
 With fixed eyepiece	1.9 mm	0°	8686.411
		25°	8686.412

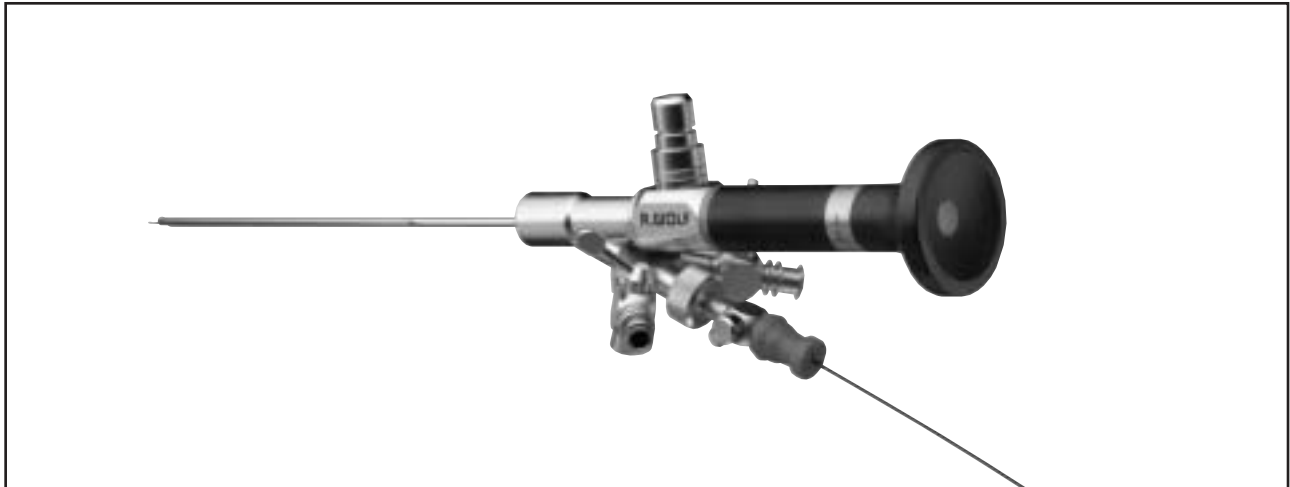
Sheath, with obturator					
					
Type	Fr.	Color code	Capacity (Fr.)	Only for examination	1 Instrument port
8686.01	7.5	blue	—	For use with 0° endoscope only	—
8686.02	8.5	red	3	—	•
8686.03	9.5	yellow	4	—	•

Optional:
Fiber light cable,
2.5 mm bundle, 3 M WL8061.256

Flexible accessory instruments see pages Acc 10.1 & Acc 10.2

4.5 / 6 Fr. Blunt Needle Fiber Optic Cysto-Urethroscope

For neonates and infants



4

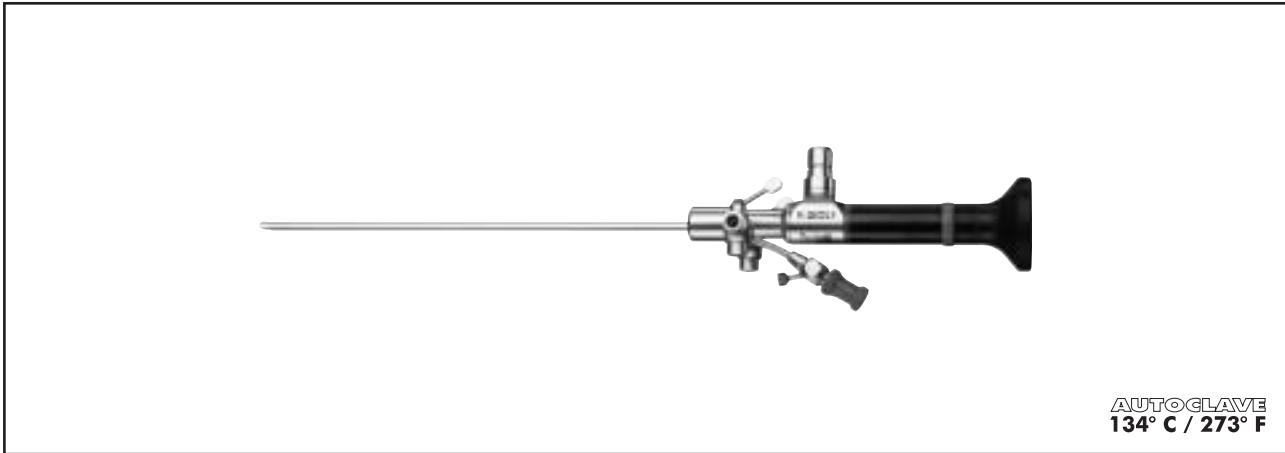
- ❑ Can be passed through the urethra of neonates and infants
- ❑ Urethral dilation to permit cysto-urethroscopy and urethrotomy is no longer necessary
- ❑ Excellent miniature fiber optics, 0° angle of view
- ❑ Efficient irrigation through the oval operating channel
- ❑ Accepts accessory instruments up to 2.4 Fr.

Instrumentation	Viewing angle	Insert capacity	Working length	Type
4.5 / 6 Fr. Blunt needle fiber cysto-urethroscope	0°	2.4 Fr.	110 mm	4615.401
Needle electrode, 2.4 Fr.	—	—	255 mm	824.03

Optional:
Fiber light cable,
 2.5 mm bundle, 3 M WL8061.256

6 / 7.5 Fr. Ultrathin Fiber Optic Cysto-Urethroscope
For infants and children

4

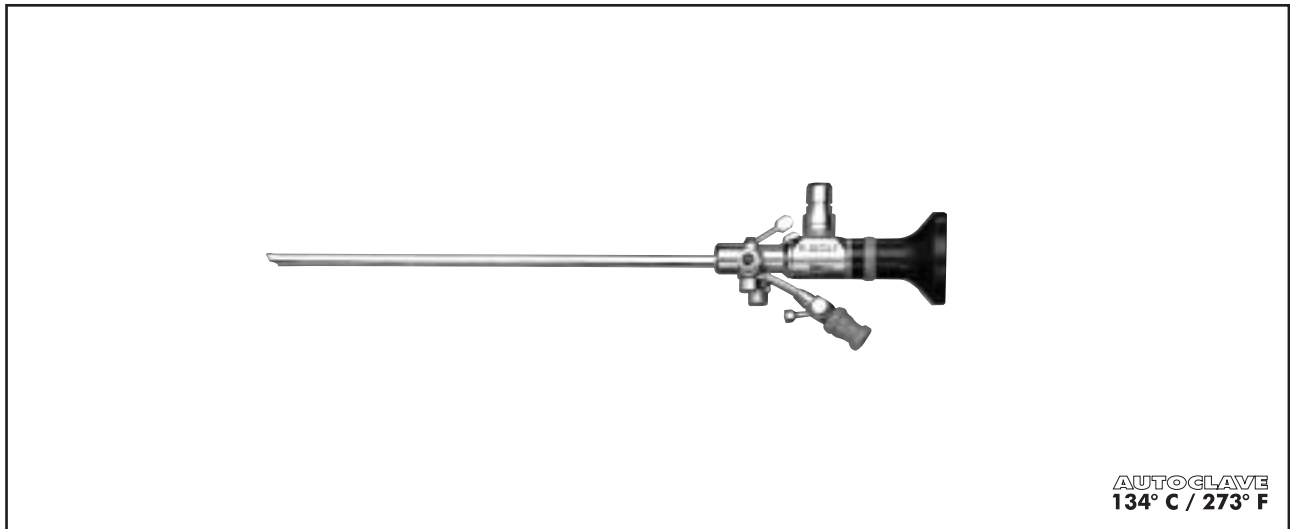


<i>Instrumentation</i>	<i>Viewing angle</i>	<i>Working channel</i>	<i>Working length</i>	<i>Type</i>
6 / 7.5 Fr. Ultrathin fiber optic cysto-urethroscope	0°	4 Fr.	140 mm	8616.411

Optional:
Fiber light cable,
2.5 mm bundle, 3 M WL8061.256

Flexible accessory instruments see pages Acc 10.1 & Acc 10.2

10.5 Fr. Compact Cysto-Urethroscope For children



4

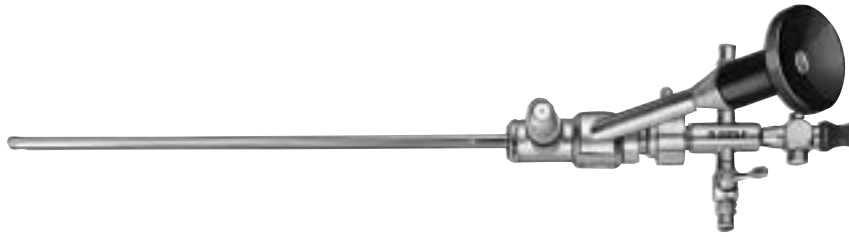
Instrumentation	Viewing angle	Capacity	Working length	Type
10.5 Fr. Compact cysto-urethroscope, rod lens	25°	5 Fr.	160 mm	8616.401
Injection cannula, 4.5 Fr.	—	—	306 mm	8616.951

Optional:
Fiber light cable,
 2.5 mm bundle, 3 M WL8061.256

Flexible accessory instruments see pages Acc 10.1 & Acc 10.2

9.5 Fr. Compact Universal Operating Cysto-Urethroscope For children



by O'Donnell



AUTOCLAVE
134° C / 273° F

- Atraumatic
- PANOVIEW PLUS endoscope provides an excellent view
- High irrigation flow due to oval operating channel
- 5 Fr. insert capacity for flexible and rigid accessory instruments

Instrumentation	Viewing angle	Capacity	Working length	Type
9.5 Fr. Compact universal operating cysto-urethroscope (Includes Bridge Adapter 8625.315)	5°	5 Fr.	116 mm	8626.431
Bridge adapter	—	—	—	8625.315

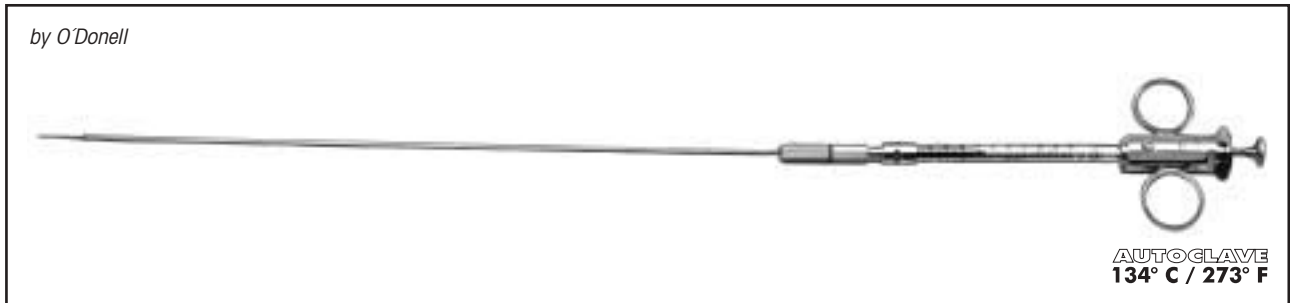
Rigid grasping forceps "Erlangen", 5 Fr. for removing stents		260 mm	8626.65
Coagulating button electrode, 5 Fr.		400 mm	823.05

Optional:
Fiber light cable,
1.6 mm bundle, 1.8 M WL8061.16

Flexible accessory instruments see pages Acc 10.1 & Acc 10.2

Injection Cannulas

For 9.5 Fr. Offset Urethrocystoscope, 8626 Series



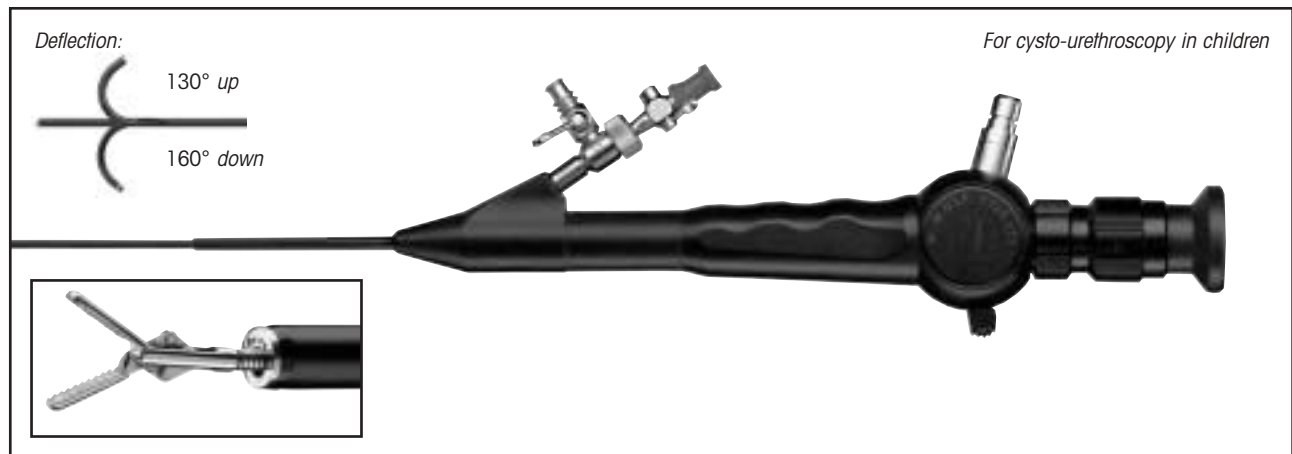
4

Injection cannulas:

- Kaplan needle, 21 G., 340 mm WL..... 8625.091
- Kaplan needle, 21 G., 410 mm WL..... 8625.092
- Kaplan needle, 22 G., 340 mm WL..... 8625.093
- Kaplan needle, 22 G., 410 mm WL..... 8625.094

Injection syringe, 1 ml, ratcheted8315.04

7.5 Fr. Flexible Pediatric Cystoscope 3.6 Fr. Channel



5

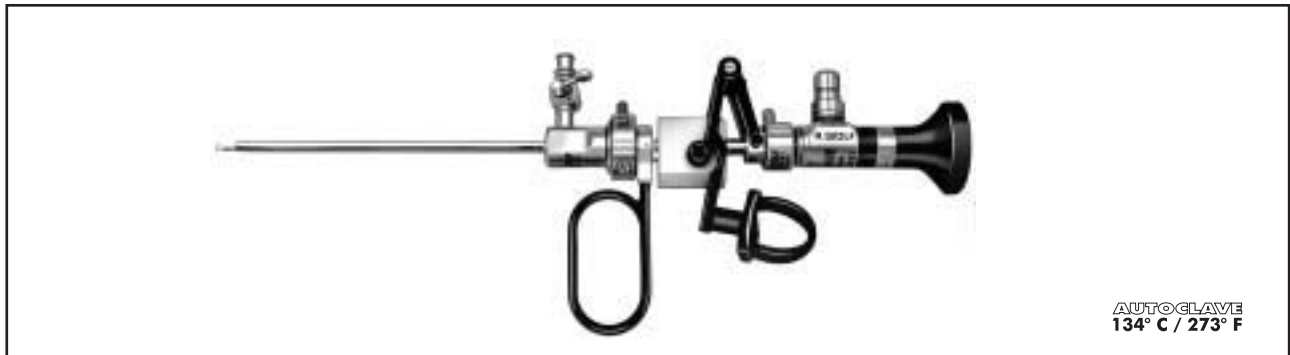
- Optimum ratio between sheath and operating channel - 7.5 Fr./ 3.6 Fr.
- Fused quartz optics provides a rod lens-like image
- Easy to insert, a true 7.5 Fr. sheath over the entire working length
- Active deflection of 130° up / 160° down with secondary passive deflection
- 0° deflection position of the instrument tip can be clearly felt on the control lever
- Reduced weight and ergonomic design for optimal handling and less strain on the operator
- Immersible and suitable for gas sterilization



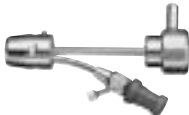
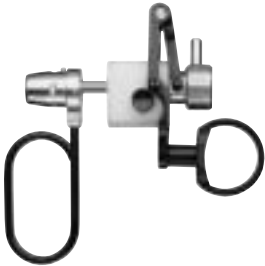




Instrumentation	Outer diameter	Operating channel	Working length	Type
7.5Fr Flexible Pediatric Cystoscope Includes: instrument port (7305.781), flexible biopsy forceps (7223.60), leakage tester (163.903), gas sterilization valve (163.904), cleaning brush (7321.911), case	7.5 Fr.	3.6 Fr.	200 mm	7325.122

Optional: Light cable 2.5 mm Ø	—	—	3000 mm	8061.256
Flexible grasping forceps	3 Fr.	—	600 mm	7223.65
Instrument / irrigation adapter with bi-lateral irrigation ports and operating channel with ball fitting and shut-off valve	—	—	—	7305.782

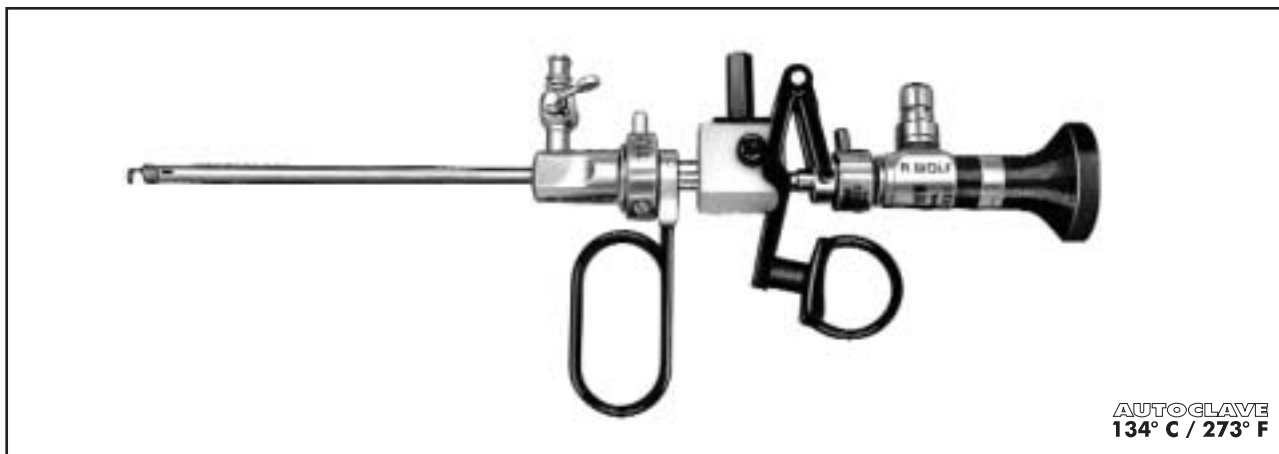
8.5 Fr. Optical Urethrotome For 1.9 mm, 0° Endoscope

For neonates and children







Endoscopes				∅	Viewing angle	With enlarged image and increased brightness
				1.9 mm	0°	8686.411
Sheath, with fixed irrigation tap, including obturator				Single channel adapter for examination and probing		Working element
						
Type	Fr.	Color code	Capacity (Fr.)			
8693.01	8.5	red	3	8688.26	8693.91	
Stricture scalpel				Blade		Type
				<i>Half-moon shaped</i>		8693.96
				<i>Sickle-shaped</i>		8693.93
				<i>Hook-shaped</i>		8688.94
				<i>Lancet</i>		8688.98

*11.5 Fr. Resectoscope
For 2.7 mm, 0° Endoscope
For children*



AUTOCLAVE
134° C / 273° F

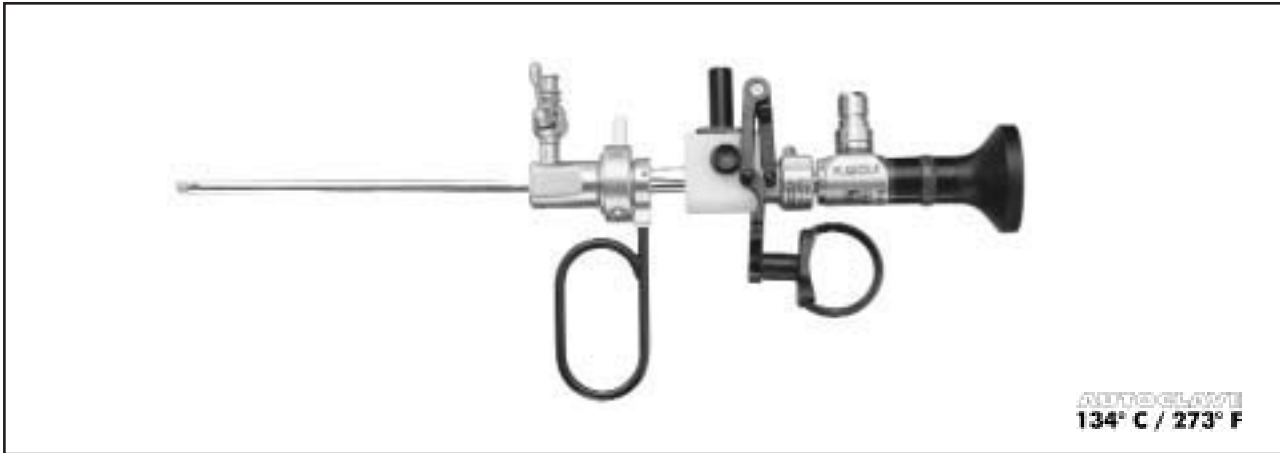
7

Endoscope			∅	Viewing angle	With enlarged image and increased brightness
			2.7 mm	0°	8672.411
<i>Sheath, with fixed irrigation tap, incl. obturator, distal tip insulated</i>			<i>Adapter for cystoscopy (1x3 Fr. cap)</i>		<i>Working element passive cutting action</i>
					
Type	Fr.	Color code			
8677.012	11.5	Yellow			
			8677.26	8677.222*	


Electrodes and stricture scalpels see page Ped 7.3


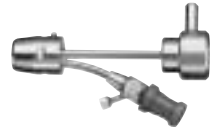

***Requires HF connecting cable...815.033**

9 Fr. Resectoscope
For 1.9 mm, 0° Endoscope
For neonates and infants



7

Endoscope	∅	Viewing angle	With enlarged image and increased brightness
 With fixed eyepiece	1.9 mm	0°	8686.411

Sheath, with fixed irrigation tap, incl. obturator, distal tip insulated				Single channel adapter for examination and probing	Working element passive cutting action
					
Type	Fr.	Color code	Capacity (Fr.)	8688.26	8688.222*
8688.01	9	White	3		





Electrodes and stricture scalpels see page Ped 7.3





*Requires HF connecting cable...815.033

Electrodes and Stricture Scalpels

For 9 Fr. & 11 Fr. resectoscopes

For 1.9 mm and 2.7 mm endoscopes

<i>Electrodes</i>		<i>For resectoscope with endoscope</i>	
		2.7 mm	1.9 mm
	<i>Cutting electrode</i>	8416.03	8688.93
	<i>Coagulating electrode</i>	8416.01	8688.91
	<i>Hook electrode</i>	8416.09	8688.95
	<i>180° curved coagulating electrode</i>	8416.994	8688.994

<i>Stricture scalpels, for cold cutting of urethral strictures</i>		<i>For resectoscope with endoscope</i>	
		2.7 mm	1.9 mm
	<i>Lancet blade cutting edge on both sides</i>	—	8688.98
	<i>Half-moon blade</i>	8675.28	8693.96
	<i>Hook-shaped "Erlangen"</i>	8677.94	8688.94
	<i>Sickle shaped</i>	8677.93	8693.93

4.5 / 6 Fr. Blunt Needle Semi-rigid Uretero-Renoscope

With direct view eyepiece



- Extremely thin, 4.5 / 6 Fr.
- Large oval irrigation and probe channel 2.5 x 3 Fr.
- Excellent view through miniature fiber optic ureteroscope
- Progressive dilation - even in the narrowest passages
- Stone therapy with laser or electrohydraulic lithotripsy

8

Compact needle fiber with oval irrigation and instrument channel, including single instrument port (8954.765)	Working length	Fr.	Viewing angle	Irrigation and instrument channel (Fr.)	Insert capacity	Type
4.5 / 6 Fr. Ureteroscope	310 mm	4.5 / 6	0°	2.5 x 3	2.4	4721.402
4.5 / 6 Fr. Uretero-renoscope	425 mm	4.5 / 6	0°	2.5 x 3	2.4	4721.401

Optional:
Fiber light cable,
2.5 mm bundle, 3 M WL8061.256

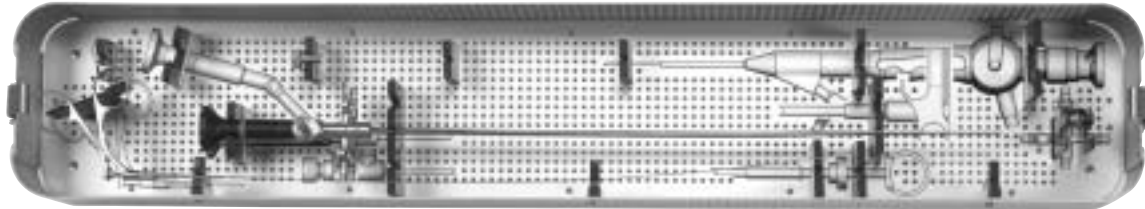
Optional:
Single channel,
3 mm luer adapter, without shut-off valve8721.701

Accessory instruments see page Acc 11.2

Instrument Storage Systems

For compact fiber optic uretero-renaloscopes
with straight eyepiece

Sterilization - Storage - Transport



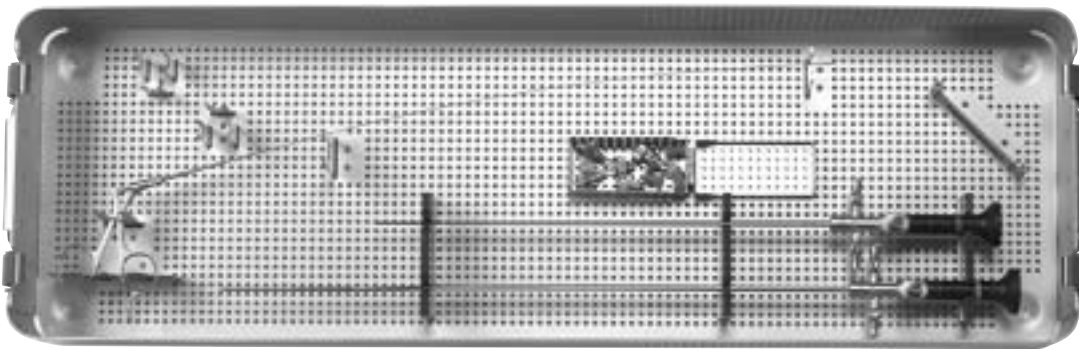
AUTOCLAVE
134° C / 273° F

The 3 in 1 storage tray is ideal for either one semi-rigid ureteroscope or flexible cysto / nephroscope, and its accessories.

31" x 5 1/2" x 2 3/4" (l x w x h), includes inserts, lid and bottom 8585.115

8

Sterilization - Storage - Transport

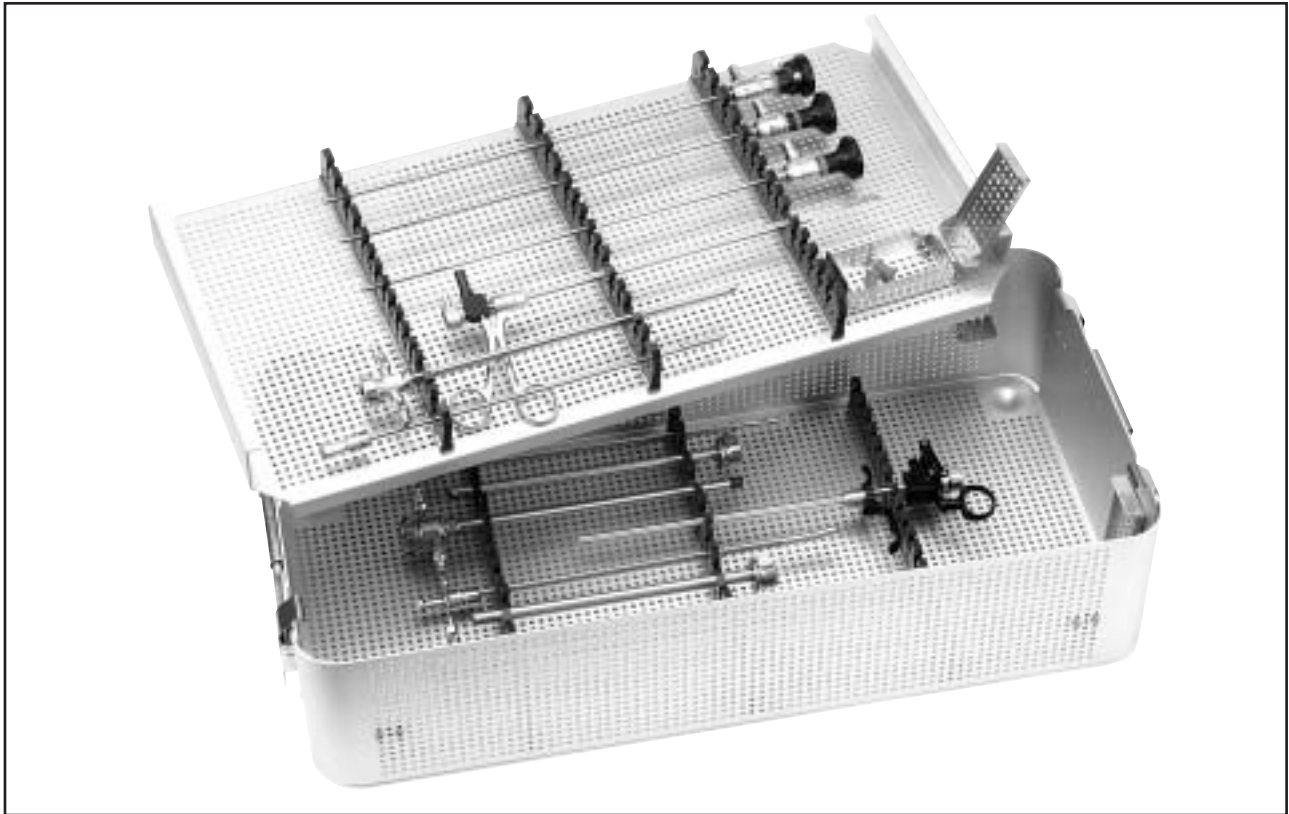


AUTOCLAVE
134° C / 273° F

The dual ureteroscope storage tray is ideal for central storage of both the long and short ureteroscopes, either with straight or offset eyepieces, and its accessories.

29" x 9 1/8" x 3" (l x w x h), includes inserts, lid and bottom 8585.015

Universal Instrument Tray - 3" & 5" Deep



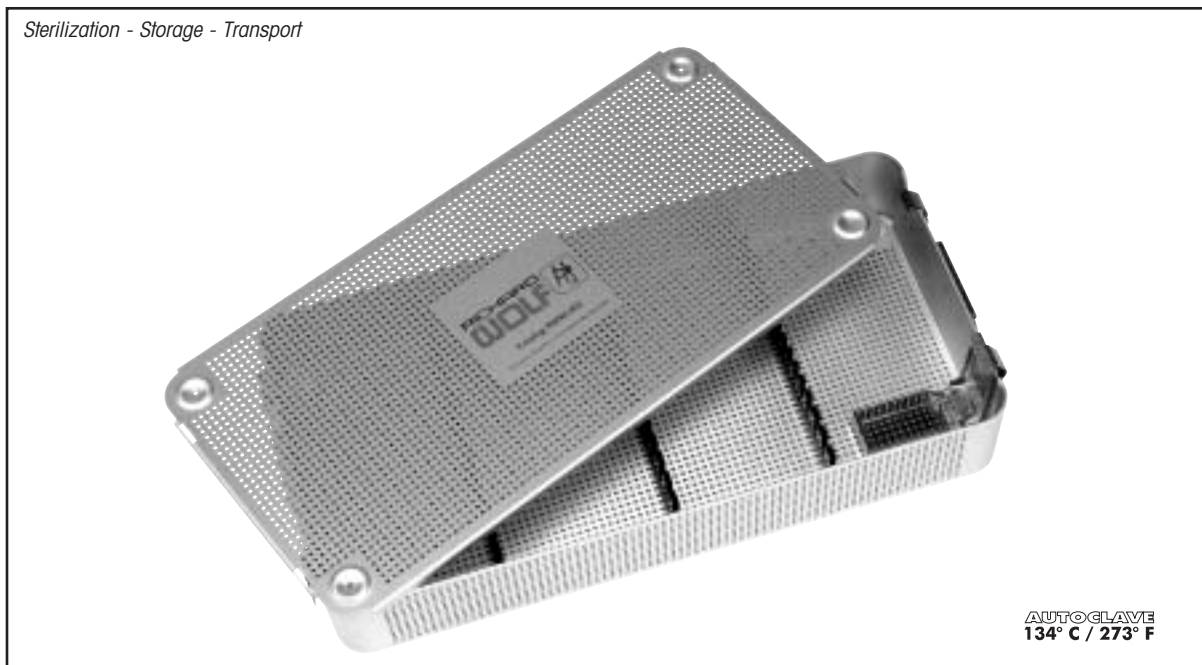
9

Loads of Storage Capacity

- ❑ Great for cystoscopy or resectoscope tray. This two level tray can hold a variety of instruments
- ❑ Each level contains (3) 8585.750 brackets that have 15 slots for instruments. Each slot has three different diameters: 10mm, 5mm & 3mm cuts.
- ❑ Also contains a compartment tray for loose items.

Description	Dimension (l x w x h)	Type
Universal tray, 5" deep, dual level tray	23" x 11" x 5"	8585.025
Universal tray, 3" deep, single level tray	23" x 11" x 3.5"	8585.023

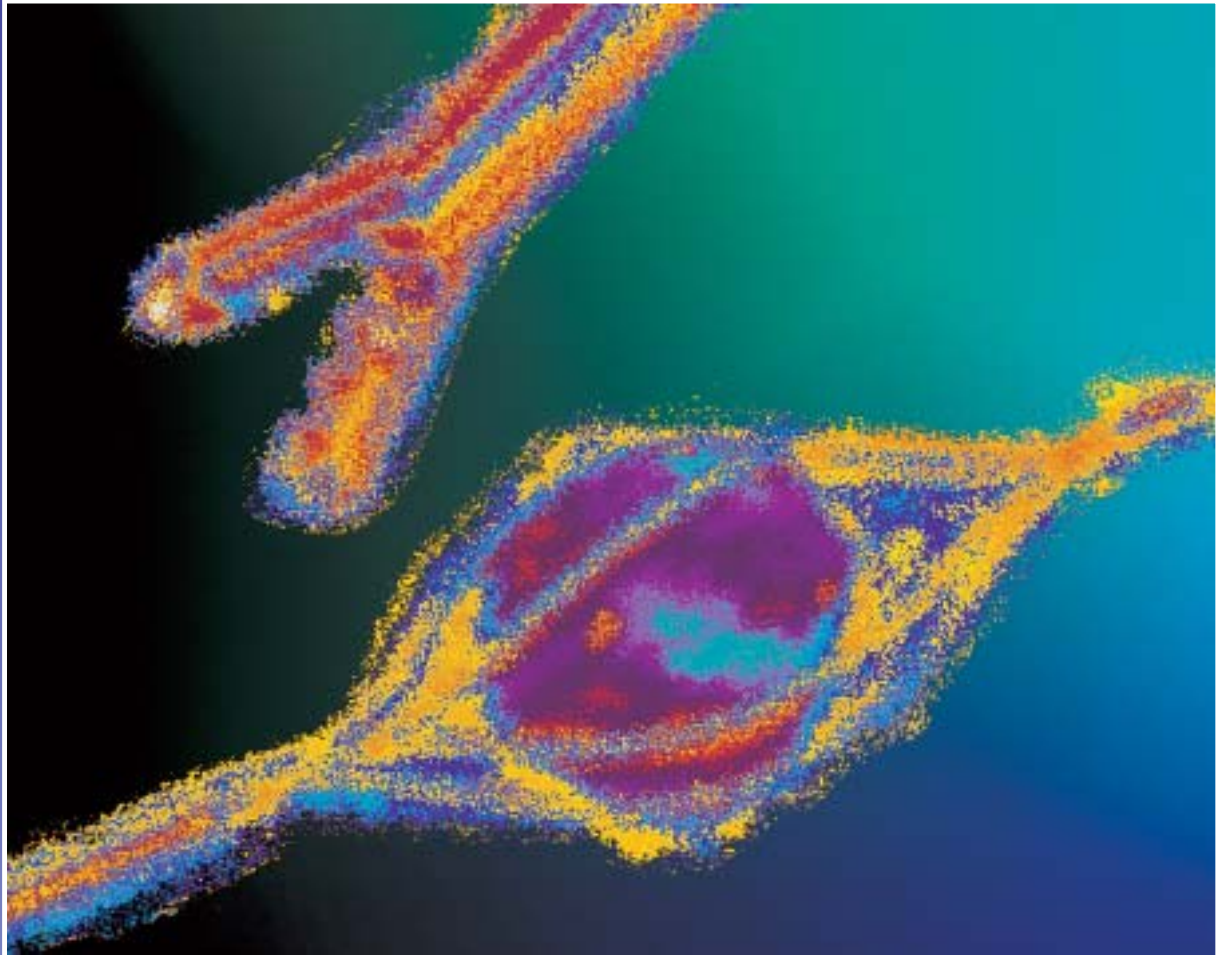
Infant Cysto / Resectoscope Tray



9

Tray Components

Qty	Model	Description
1	8585.071	Universal Scope Tray Includes:
1	8585.911	Compartment Tray
1	8585.484	Pin Matt
1	8585.524	Key Hole Bracket 4 mm
3	8585.532	Key Hole Bracket 12 mm
1	8585.533	Key Hole Bracket 13 mm
1	8585.535	Key Hole Bracket 15 mm
3	8585.627	Pass Thru Bracket 7 mm
1	8428.901	Sterilization Tube



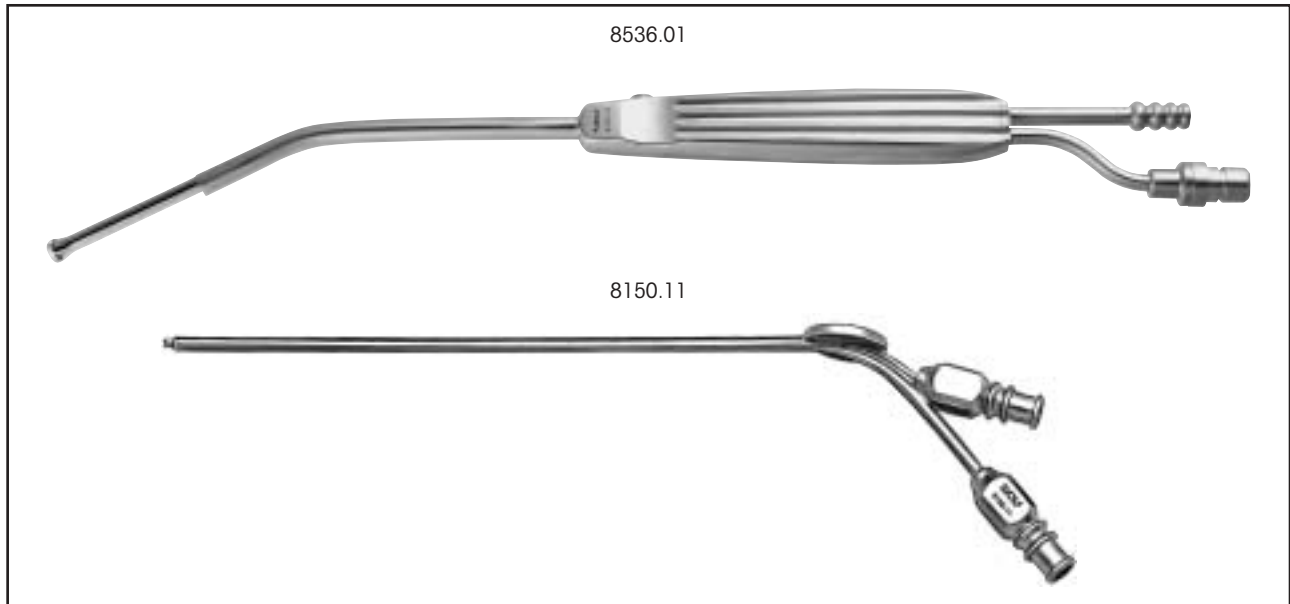
Accessory Instruments



Accessories

.....	0
.....	1
.....	2
<i>Intra-renal stone surgery</i>	3
.....	4
<i>Dilators</i>	4
.....	5
<i>Catheter guides; syringes</i>	5
.....	6
<i>Irrigation adapters</i>	6
.....	7
.....	8
<i>Forceps and scissors, rigid</i>	9
.....	9
<i>Forceps and scissors, flexible</i>	10
.....	10
<i>Injection cannulas and electrodes</i>	11
.....	11
<i>Scalpels</i>	12
.....	12

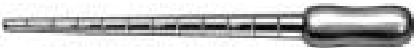


*Intra-Renal Stone Surgery,
High quality instruments for intricate surgery*



Suction tube with cold light illumination8536.01

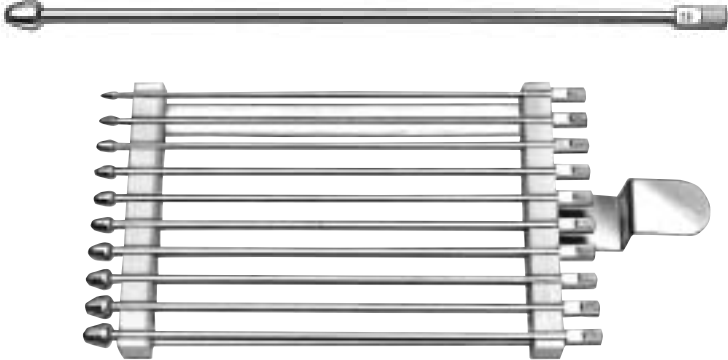
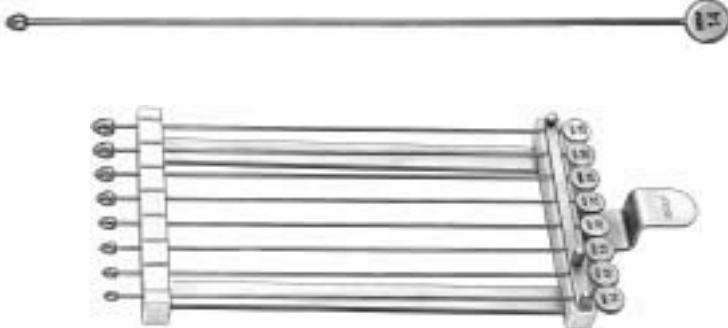
Miniature suction and irrigation tube8150.11

Bougies




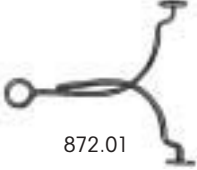

Instruments	Fr.	Type
<p>Orifice dilator</p> 	10 - 20	8592.01
	15 - 30	8592.02
<p>Dittel's metal bougies, slightly curved</p> 	8	8590.08
	9	8590.09
	10	8590.10
	11	8590.11
	12	8590.12
	13	8590.13
	14	8590.14
	15	8590.15
	16	8590.16
	17	8590.17
	18	8590.18
	19	8590.19
	20	8590.20
21	8590.21	
22	8590.22	
23	8590.23	
24	8590.24	
25	8590.25	
26	8590.26	
27	8590.27	
28	8590.28	
29	8590.29	
30	8590.30	
<p>Stainless steel bougies, in sterilizing rack, 2 Fr. graduation, set of 8</p> 	12-26	8590.63

Bougies

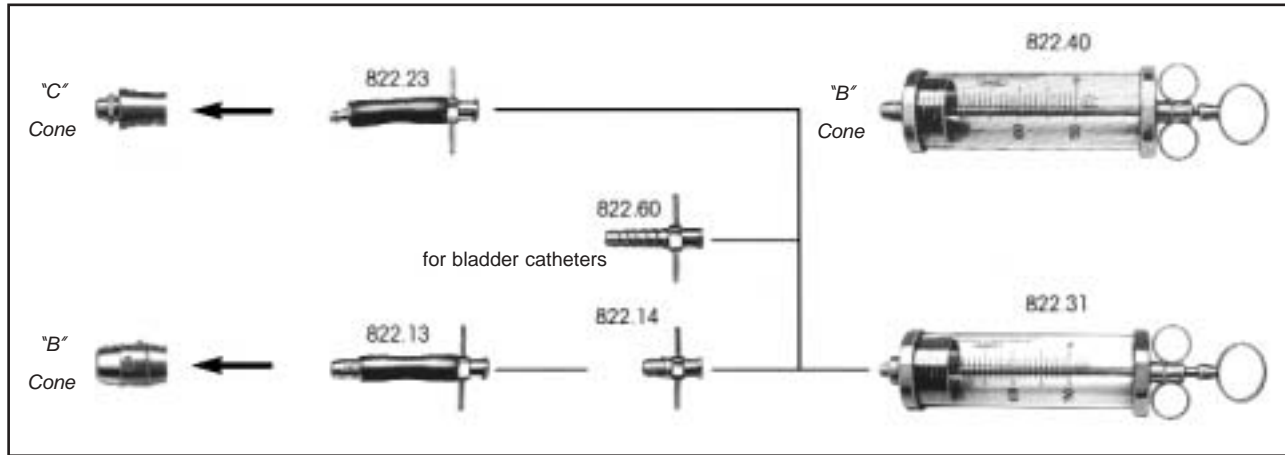
4



Instruments	Fr.	Type
<p data-bbox="139 527 954 579"><i>Bougies à boule, metal, without inner channel, in sterilizing rack (8595.99), 1 Fr. graduation set of 10</i></p> 	9-18	8595.09
	19-28	8595.19
	29-38	8595.29
<p data-bbox="139 1089 886 1142"><i>OTIS' bougies à boule, stainless steel, in sterilizing rack (8596.99), 2 Fr. graduation set of 8</i></p> 	8-22	8596.01
	24-38	8596.02

Catheter Introducer, Penile Clamp, Biopsy Cannula







Instruments	Size	Type
<p><i>Henning's introducer for urethral catheters</i></p> 	4 Fr.	893.04
<p><i>Guyon's catheter introducer for bladder catheter</i></p> 	2.5 mm Ø	8577.00
<p><i>Penile clamps</i></p>  <p>872.00</p>  <p>872.01</p>	Strauss	872.00
	Stockmann	872.01
<p><i>TRU-CUT® Needle, for prostate biopsy, set of 10, sterile individually packed</i></p> 	—	309.005

Bladder Syringe and Evacuator









Instruments	Connection cone	ml	Spare barrel	Type
Bladder syringe	<i>For flexible or rigid adapters</i>	75	846.93	846.31
		100	822.94	822.32
		150	822.93	822.31
Flexible connector	B	—	—	822.13
	C	—	—	822.23
Rigid connector	B	—	—	822.14
Adapter for irrigation through bladder catheter	—	—	—	822.60
Bladder syringe	B	150	822.97	822.40
Adapter for Toomey syringes, with "B" cone	B	—	—	845.11
Evacuator 	—	—	8558.93	8558.03
	—	—	—	8558.83
Adapter for attaching the evacuator, with cone 	B	—	—	8558.14
	C	—	—	8558.24

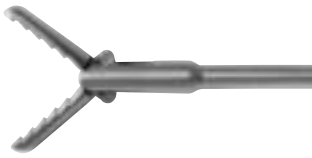




Luer Lock Connector, Cocks and Irrigation adapter

Instruments	Inner channel	Female	Male
Luer lock connector 	3 mm Ø	—	886.00
	4 mm Ø	—	886.01
Luer lock connector 	3 mm Ø	891.00	—
	4 mm Ø	891.01	—
Stopcock with Luer lock connector 	3 mm Ø	—	884.00
	4 mm Ø	—	884.01
Two-way tap with Luer lock connector 	3 mm Ø	—	883.00
	4 mm Ø	—	883.01
Two-way tap with Luer lock connector, irrigation inlet from left 	4 mm Ø	—	883.12
Conical irrigation adapter for catheters to connect a two-way tap or stopcock 	3 mm Ø	880.00	—
	4 mm Ø	880.01	—





Forceps and Scissors, Rigid

<i>Instrumentation</i>	<i>Description</i>	<i>Fields of application</i>	<i>Working length</i>	<i>Fr.</i>	<i>Type</i>
	Biopsy forceps	<i>Cystoscopy</i>	325 mm	7	8645.60
			340 mm	5	8642.60
	Biopsy forceps	<i>Uretero-renaloscopy</i>	550 mm	5	8952.60
	Biopsy punch	<i>Cystoscopy</i>	355 mm	5	8642.631
	Foreign body forceps	<i>Cystoscopy</i>	325 mm	7	8645.65
			340 mm	5	8642.65
	Grasping forceps, mouse-tooth	<i>Uretero-renaloscopy</i>	415 mm	4	8959.611
			550 mm	4	8952.611
			415 mm	5	8959.621
			550 mm	5	8952.621
	Grasping forceps	<i>Uretero-renaloscopy</i>	550 mm	5	8952.65





Forceps and Scissors, Rigid

Instrumentation	Description	Fields of application	Working length	Fr.	Type
	Stone forceps, angled distal end, by Wickham-Miller	Nephroscopy	340 mm	8	8962.602
	Stone grasping forceps with alligator jaws	Nephroscopy	340 mm	10	8962.604
	Stone forceps, with finely serrated teeth, peanut shape jaws	Nephroscopy	340 mm	8	8962.61
	Stone grasping forceps, with finely serrated teeth, peanut shaped jaws	Nephroscopy	340 mm	10	8962.607
	Stone forceps, for extraction of larger fragments	Nephroscopy	340 mm	8	8964.601
				10	8962.605
	Grasping forceps model "Erlangen"	Operating urethro-cystoscope for children	255 mm	5	8626.65
	Stone grasping forceps with serrated jaws	Intra-renal stone surgery	275 mm	8	8280.22
	Stone grasping forceps with sharp jaws	Intra-renal stone surgery	275 mm	6	8280.23






Forceps and Scissors, Rigid

<i>Instrumentation</i>	<i>Description</i>	<i>Fields of application</i>	<i>Working length</i>	<i>Fr.</i>	<i>Type</i>
	Alligator forceps	<i>Uretero-rensoscopy</i>	430 mm	5	8959.68
	Hooked scissors	<i>Cystoscopy</i>	320 mm	7	8992.64
	Microscissors	<i>Intra-renal stone surgery</i>	235 mm	—	8283.21
	Scissors	<i>Cystoscopy</i>	355 mm	5	8642.681

Forceps and Scissors, Flexible






Instrumentation	Description	Fields of application	Working length	Fr.	Type
	Biopsy forceps	<i>Cystoscopy</i>	230 mm	3	829.03
			315 mm	5	829.05
			550 mm	6.5	829.055
			365 mm	7	829.07
			325 mm	10	829.10
	Biopsy forceps	<i>Uretero-renaloscopy</i>	600 mm	4/3	8734.606
			800 mm	4/3	8734.608
		<i>Uretero-renaloscopy, nephroscopy</i>	550 mm	5	829.051
			<i>Uretero-renaloscopy</i>	950 mm	3
	Foreign body forceps	<i>Cystoscopy</i>	230 mm	3	828.03
			315 mm	5	828.05
			365 mm	7	828.07
			325 mm	10	828.10
	Foreign body forceps	<i>Uretero-renaloscopy, nephroscopy</i>	550 mm	5	828.051

Forceps and Scissors, Flexible





Instrumentation	Description	Fields of application	Working length	Fr.	Type
	Foreign body forceps	<i>Uretero-renaloscopy</i>	415 mm	5	8959.66
			545 mm	5	8950.66
	Grasping forceps	<i>Uretero-renaloscopy</i>	950 mm	3	828.651
			600 mm	4	8734.656
			850 mm	4	8734.658
	Grasping forceps, with mouse tooth	<i>Uretero-renaloscopy</i>	600 mm	4	8734.686
			850 mm	4	8734.688
		<i>Cystoscopy</i>	550 mm	6.5	8736.685
	Scissors wave shaped	<i>Cystoscopy</i>	365 mm	7	830.07
	Scissors, retrograde cutting action	<i>Uretero-renaloscopy</i>	545 mm	5	8950.28

10



Injection Cannula and Electrodes

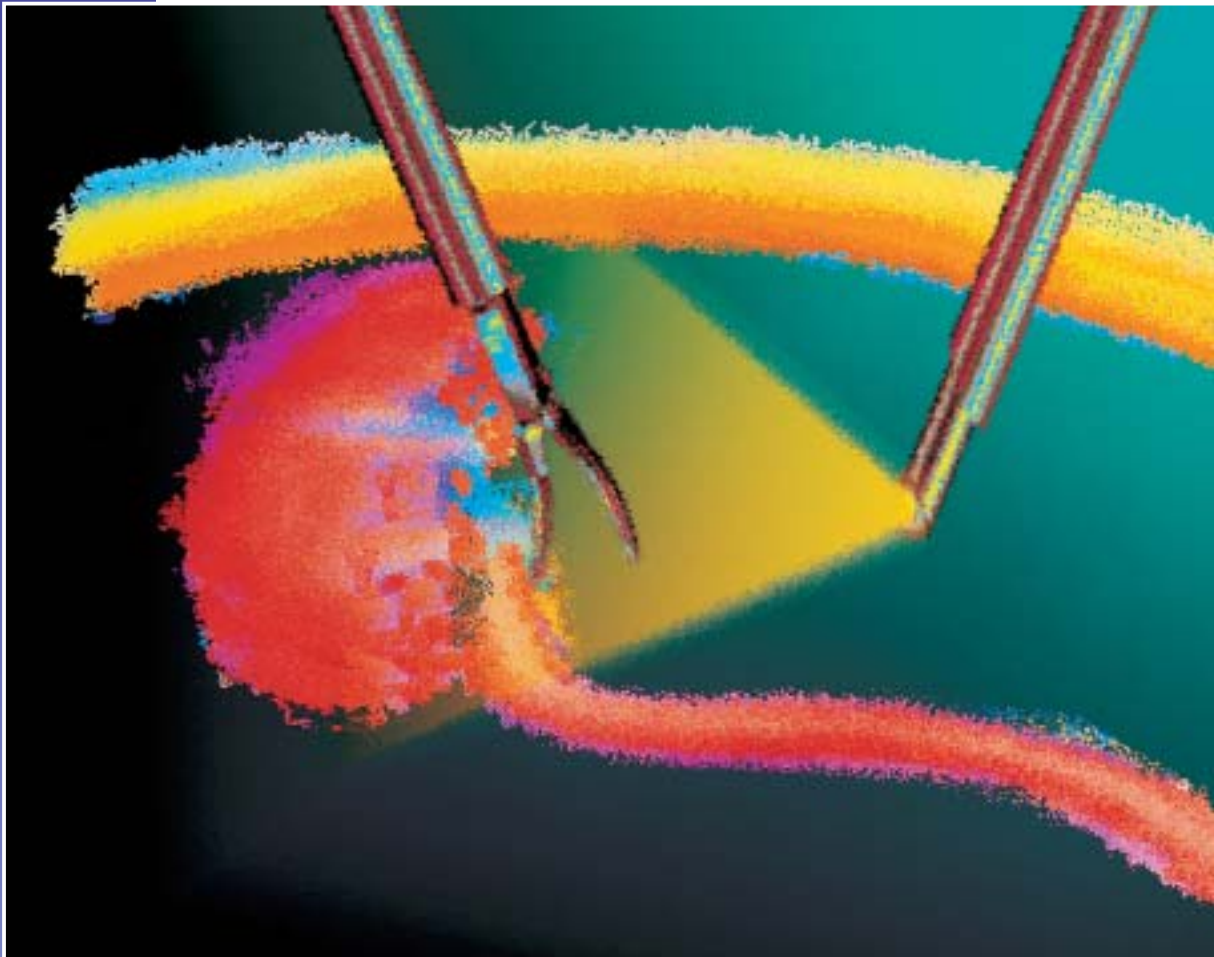
Instrumentation	Description	Fields of application	Working length	Fr.	Type
	Injection cannula with Luer connector, semi-flexible	Cystoscopy	525 mm	6	8640.16
	Injection cannula flexible	Cystoscopy	300 mm	4.5	8616.951
			500 mm	4.5	8654.951
			495 mm	6	831.06
	Coagulation electrode flexible	Uretero-rensoscopy & Cystoscopy	600 mm	5	8599.80
	Coagulation electrode flexible	Uretero-rensoscopy	920 mm	3	8741.80
	Button electrode flexible unipolar	Cystoscopy	260 mm	3	823.03
			400 mm	4	823.04
				5	823.05
				6	823.06
				8	823.08
				10	823.10
		Uretero-rensoscopy	570 mm	3	823.031

*Injection Cannula and Electrodes,
flexible*

<i>Instruments</i>	<i>Descriptions</i>	<i>Fields of application</i>	<i>Working length</i>	<i>Fr.</i>	<i>Type</i>
	Loop electrode	<i>Cystoscopy</i>	460 mm	10	837.10
	Needle electrode	<i>Cystoscopy</i>	255 mm	3	824.03
			400 mm	4	824.04
			400 mm	5	824.05
	Hook electrode	<i>Uretero-rensoscopy</i>	600 mm	2.4	823.221
	Knife electrode	<i>Cystoscopy</i>	445 mm	5	826.05

Scalpels

<i>Instruments</i>	<i>Descriptions</i>	<i>Fields of application</i>	<i>Working length</i>	<i>Fr.</i>	<i>Type</i>
	Stricture scalpel <i>Lancet blade</i>	<i>Cystoscopy</i>	325 mm	7	8645.98
	Stricture scalpel <i>Half-moon shaped</i>	<i>Nephroscopy</i>	345 mm	10	8962.951



Urological Laparoscopy



Laparoscopic Surgery

Basic Sets	1
Laparoscopes / Scope Holder	2
Trocar Sleeves / Dilatation / Extraction / Reducing Sleeves / Sealing Caps	3
Grasping Forceps / Dissectors / Biopsy Forceps	4
Scissors / Choledochotome	5
Bipolar Systems	6
Electrodes	7
Suction and Irrigation Tubes	8
Tissue Retractors	9
Clip Applicators	10
Suture Instruments	11
Cannulas / Probes / Swab Holders	12
Laser Instruments	13
Electronic Morcellator	14
Gynecological Laparoscopy / Pelviscopy	15
Units and Accessories	16
Instruments Storage Trays	17

Basic Set for laparoscopy

Instrument	Type	Recommended Qty.
CO ₂ Insufflator, 30 L/min.	2232.601	1
Verres needle	8302.12	1
Light Source	5131.011	1
Light Cable	8061.356	1
3CCD-Endocam	5506.654	1
Coupler	85261.322	2
Monitor, 20"	5366.952	1
Video Recorder	5601.111	(1)
Video Printer	5365.511	(1)
Mobile Video Cart	31121.101	

*Please consult your Richard Wolf sales representative for additional system requirements.

Basic Set

for laparoscopic cholecystectomy (cont'd)

1

Instrument	Type	Recommended Qty.
Injection cannula 5 mm	8383.65	1
Universal grasping forceps 10 mm	8395.2242	1
Coagulation button electrode	8383.40	1
HF connecting cable - Wolf to Wolf	8106.132	2
or		
HF connecting cable - Wolf to Valleylab	8106.033	2
HF connecting cable - Wolf to Wol	815.132	2
or		
HF connecting cable - Wolf to Valleylab	815.033	2

Options:

Plastic trocar sleeve 5.5 mm, self-retaining, 55 mm WL	8920.001	1
Trocar, pyramid tip, 55 mm WL	8920.021	1
Trocar, conical tip, 55 mm WL	8920.011	1
Self-retaining sleeve 10 mm	8934.301	2
Instrument sleeve and extractor 10-20 mm	8945.982	1
Endodilator	8386.001	1
Grasping forceps, blunt 5 mm	8393.209	1
"Mixer" Right angle, 5 mm	8393.4144	1
Universal grasping forceps 5 mm	8393.2544	
Grasping forceps by Debaquey 5 mm	8393.3242	1
Dissection forceps by Petelin, 30°, 5 mm	8393.2143	1
Dissection forceps by Petelin, 60°, 5 mm	8393.2154	1
Babcock atraumatic grasping forceps, 10 mm	8395.2142	1
Maryland dissector 5 mm	8393.2053	1
Grasping forceps with alligator jaws, 10 mm	8395.239	1
Waveside grasping forceps, 5 mm	8393.2922	2

Basic Set

for laparoscopic cholecystectomy

Instrument	Type	Recommended Qty.
Standard laparoscope 10 mm, 25°	8934.412	1
and/or		
Standard laparoscope 10 mm, 0°	8934.411	1
RIWO-ART trocar sleeve 5.5 mm, 100 mm	8921.014	2-3
RIWO-ART trocar, conical tip, 100 mm	8921.113	2-3
RIWO-ART trocar, pyramidal tip, 100 mm	8921.123	2-3
and/or		
Plastic trocar sleeve 5.5 mm, self-retaining, 95 mm	8920.003	2-3
Trocar, conical tip, 95 mm	8920.013	2-3
Trocar, pyramidal tip, 95 mm	8920.023	2-3
RIWO-ART trocar sleeve 10 mm, 100 mm	8923.014	2
RIWO-ART trocar, conical tip, 100 mm	8923.113	2
RIWO-ART trocar, pyramidal tip, 100 mm	8923.123	2
Guide rod 5 mm	8934.951	1
Instrument sleeve and extractor 5-10 mm	8385.50	1
Verres needle	8302.12	1
Suction-irrigation tube 5 mm	8383.732	1
Grasping forceps with teeth 5 mm	8393.2344	1
Micro grasping and dissecting forceps 5 mm	8393.2443	1
Atraumatic grasping forceps 5 mm	8393.2044	1
Maryland dissector 5 mm	8393.2053	1
Grasping forceps, long, 5 mm	8393.2244	1
Grasping forceps, 2/3 pronged, 10 mm	8395.2042	1
Metzenbaum scissors 5 mm	8393.0243	1
Scissors, straight, tapered 5 mm	8393.0053	1
Micro scissors, curved left 5 mm	8393.0143	1
Hook electrode 5 mm	8383.423	1
Insertion sleeve	8383.00	1
Probe 5 mm	8383.661	1

Basic Set

for laparoscopic appendectomy

1

Instrument	Type	Recommended Qty.
Standard laparoscope 10 mm, 25°	8934.412	1
and/or		
Standard laparoscope 10 mm, 0°	8934.411	1
RIWO-ART trocar sleeve 5.5 mm, 100 mm	8921.014	2-3
RIWO-ART trocar, conical tip, 100 mm	8921.113	2-3
RIWO-ART trocar, pyramidal tip, 100 mm	8921.123	2-3
and/or		
Plastic trocar sleeve 5.5 mm, self-retaining	8920.003	2-3
Trocar, conical tip, 95 mm	8920.013	2-3
Trocar, pyramidal tip, 95 mm	8920.023	2-3
RIWO-ART trocar sleeve 10 mm, 100 mm	8923.014	2
RIWO-ART trocar, conical tip, 100 mm	8923.113	2
RIWO-ART trocar, pyramidal tip, 100 mm	8923.123	2
Guide rod 5 mm	8934.951	1
Instrument sleeve and extractor 5-10 mm	8385.50	1
Guide Rod 10 mm	8934.95	1
Instrument sleeve and extractor	8945.982	1
Endodilator	8386.001	
Grasping forceps with teeth 5 mm	8393.2344	1
Grasping and coagulation forceps 5 mm	8393.2363	1
Atraumatic grasping forceps 5 mm	8393.2044	1
Maryland dissector 5 mm	8393.2053	1
Grasping forceps, blunt 5 mm	8393.2063	1
Grasping and dissecting forceps, long 5 mm	8393.2244	1
Universal grasping forceps 5 mm	8393.2544	1
Grasping and dissection forceps 5 mm	8393.2143	1
Grasping forceps, 2/3 pronged, 10 mm	8395.2042	1
Universal grasping forceps 10 mm	8395.2242	1
Grasping forceps with alligator jaws 10 mm	8395.2362	1
Metzenbaum scissors 5 mm	8393.0243	1
Scissors, straight, tapered 5 mm	8393.0053	1
Waveside grasper, 5 mm	8393.2922	2

Basic Set

for laparoscopic appendectomy (cont'd)

Instrument	Type	Recommended Qty.
Hooked scissors, serrated 5 mm	8393.0063	1
Micro scissors, curved left 5 mm	8393.0143	1
Bipolar grasping forceps	8383.241	1
Suction / Irrigation tube 5 mm	8383.732	1
Applicator extractor 10 mm	8383.78	1
Probe 5 mm	8383.661	1
Verres needle	8302.12	1
Bipolar cable	8108.031	1
HF connecting cable - Wolf to Wolf	8106.132	2
HF connecting cable - Wolf to Valleylab	8106.033	2

Options:

Dissecting forceps, tapered 5 mm	8393.2254	1
Micro grasping and dissecting forceps 5 mm	8393.2443	1
Biopsy forceps 5 mm	8393.4043	1
"Babcock" atraumatic grasping forceps 10 mm	8395.2142	1
"Maryland" grasping forceps 10 mm	8395.2252	1
Atraumatic forceps 10 mm	8395.2342	1
Scissors 10 mm	8395.0051	1
Needle holder, straight 5 mm	8393.502	1

Basic Set

for laparoscopic nissen fundoplication

1

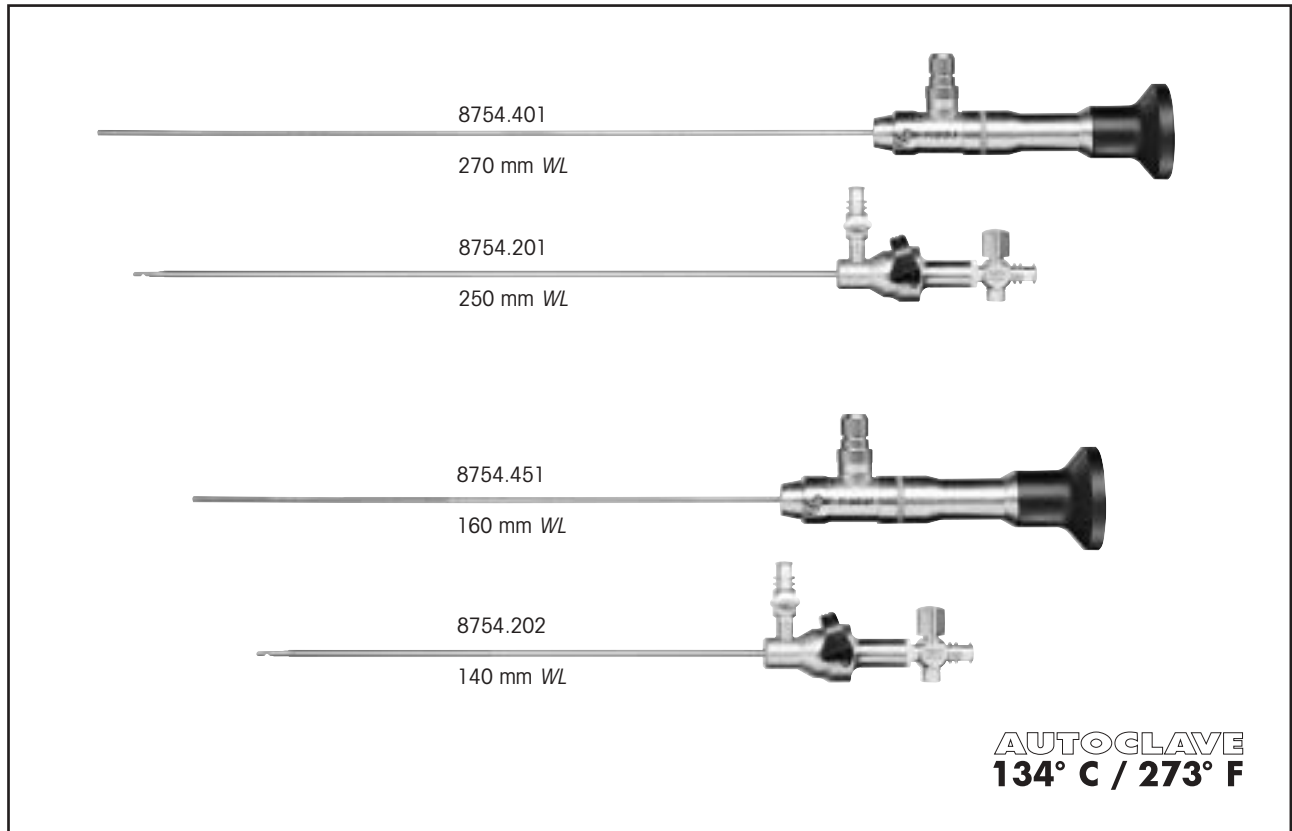
Instrument	Type	Recommended Qty.
Standard laparoscope 10 mm, 0°	8934.411	1
and/or		
Standard laparoscope 10 mm, 25°	8934.412	1
and/or		
Standard laparoscope 10 mm, 50°	8934.413	1
RIWO-ART trocar sleeve w/port, 10 mm	8923.014	3
RIWO-ART trocar, 10 mm, 10 mm WL, pyramidal tip	8923.123	3
Vario port reducer, 10 mm - 5 mm	8923.801	1
Trocar sleeve, plastic 5.5 mm, 95 mm long	8920.003	2
Pyramidal trocar, 5.5 mm, 95 mm long for 8920.003	8920.023	2
Silicone membrane valves, 10/pkg	8920.911	2
Babcock modular grasper, 10 mm	8395.2142	2
Left angled modular dissector, 5 mm	8393.2143	1
Dissecting forceps, 5 mm	8393.2254	1
Metzenbaum scissors, double action jaws, 5mm	8393.0243	1
Fenoglio modular forceps, single action jaws, 10 mm	8395.5042	1
Modular axial handle needle holder, curved right, 5 mm, 340 WL	8393.511	1
Hook electrode	8393.423	1
HF cable for forceps to Wolf generator or	8106.132	1
HF cable for forceps to Valley Lab	8106.033	1
Scope / liver retractor stabilizer	8175.601	1
Sarbu needle holder, 5mm	8393.503	1
Needle holder curved right, 5 mm	8393.511	1
Liver retractor	8383.691	1

Basic Set

for laparoscopic prostatectomy & adrenalectomy

Instrument	Type	Recommended Qty.
10mm laparoscope telescope 25°	8934.412	1
Trocar sleeve 10 mm Ø	8923.024	2
Trocar 10 mm Ø	8923.123	2
VARIO-PORT reducing adapter	8923.802	1
Trocar sleeve 5.5 mm Ø, metal	8921.062	3
Trocar, 5.5 mm Ø	8921.121	3
or		
Trocar sleeve 5.5 mm Ø, plastic	8921.072	3
Suction-irrigation handle	8385.901	1
Sealing cap	8385.902	1
Suction-irrigation tube set, used w/2215	4170.225	1
Suction-irrigation tube set	4170.956	1
Irrigation attachment	8383.819	1
Suction-irrigation tube	8383.911	1
Metzenbaum scissors 5 mm Ø	8393.0243	1
Grasping and dissecting forceps	8393.2744	1
Bipolar grasping forceps	8393.741	1
Bipolar grasping forceps	8393.781	1
Alternative jaw insert	8393.704	1
HF bipolar connecting cable for Bovie	8108.032	1
Modular needle holder	8393.502	2
Maryland dissector	8393.2054	1
Grasping and dissecting forceps	8393.2644	1
Spatula electrode	8393.428	1
HF monopolar connecting cable for Bovie	8106.032	1
Grasping and dissecting forceps, 5 mm	8394.2443	1
Grasping and dissecting forceps, 5 mm	8393.2422	1
Babcock grasping forceps, 5 mm	8393.3254	1
Needle holders, 5 mm	8393.511	2
Knot pusher, 5 mm	8393.3441	1
Dolphin grasping forceps, 5 mm	8393.4628	1
For laparoscopic nephrectomy, use above set, plus:		
"Mixer" grasping and dissecting forceps, 5 mm	8393.4144	1
Dissecting forceps, 14 mm tapered jaws, 5 mm	8393.2254	1
Waveside grasper, 31cm, 5 mm	8393.2922	1
Waveside grasper, 43 cm, 5 mm	8394.2922	1

Micro Laparoscopes 2 mm



2

Micro Laparoscopes

- ❑ 50,000 pixel high resolution fiber quartz optics
- ❑ Quick connect locking mechanism
- ❑ 2 mm diameter permits minimally invasive abdominal access
- ❑ Titanium sheath construction provides both durability and longevity

Standard version 270 mm WL

Micro laparoscope,

0°, 2 mm Ø8754.401

Verres needle (8754.211), 2.3 mm Ø with

Outer sheath (8754.221)8754.201

Short version 140 mm WL

Micro laparoscope

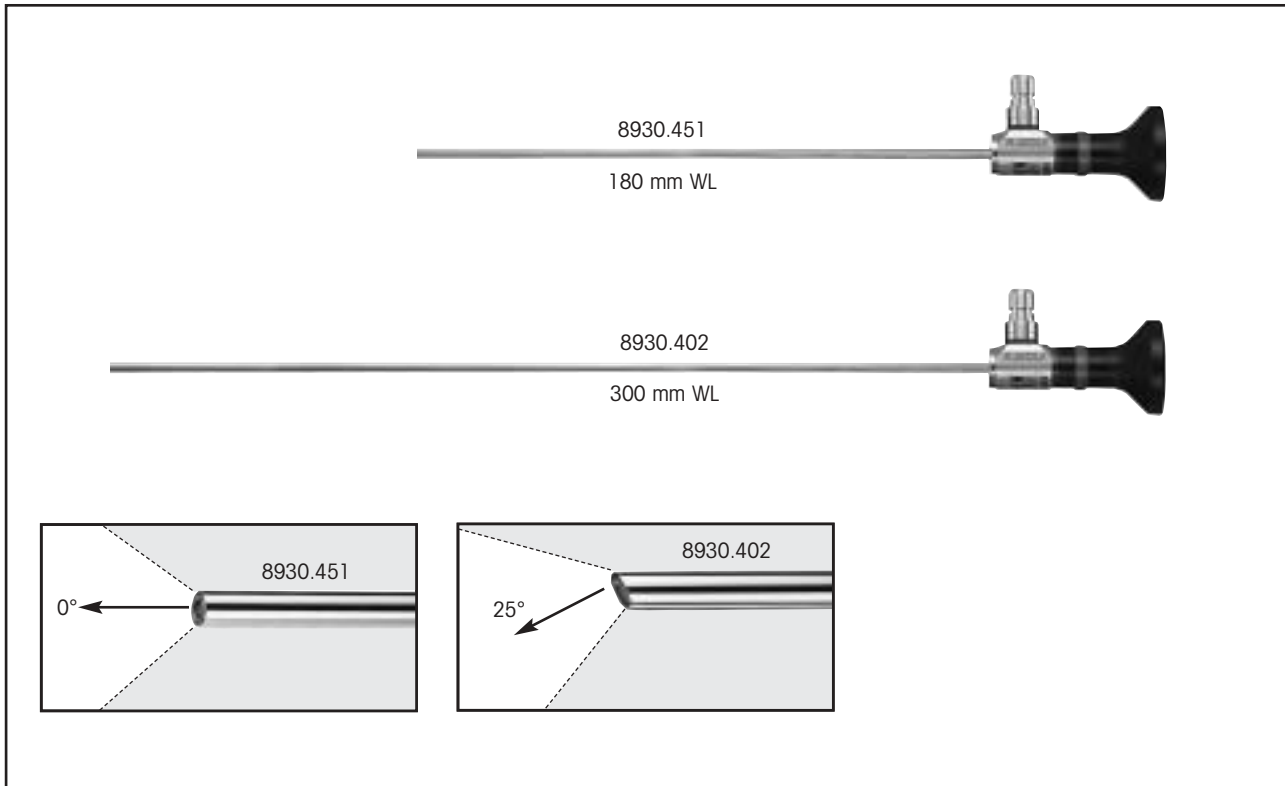
0°, 2 mm Ø, 159 mm WL8754.451

Verres needle (8754.212), 2.3 mm Ø with

Outer sheath (8754.222), 140 mm WL8754.202

3.5 mm Ø Laparoscopes

2



PANOVIEW PLUS laparoscope, 3.5 mm diameter

with fixed eyepiece,

0°8930.451

25°8930.402

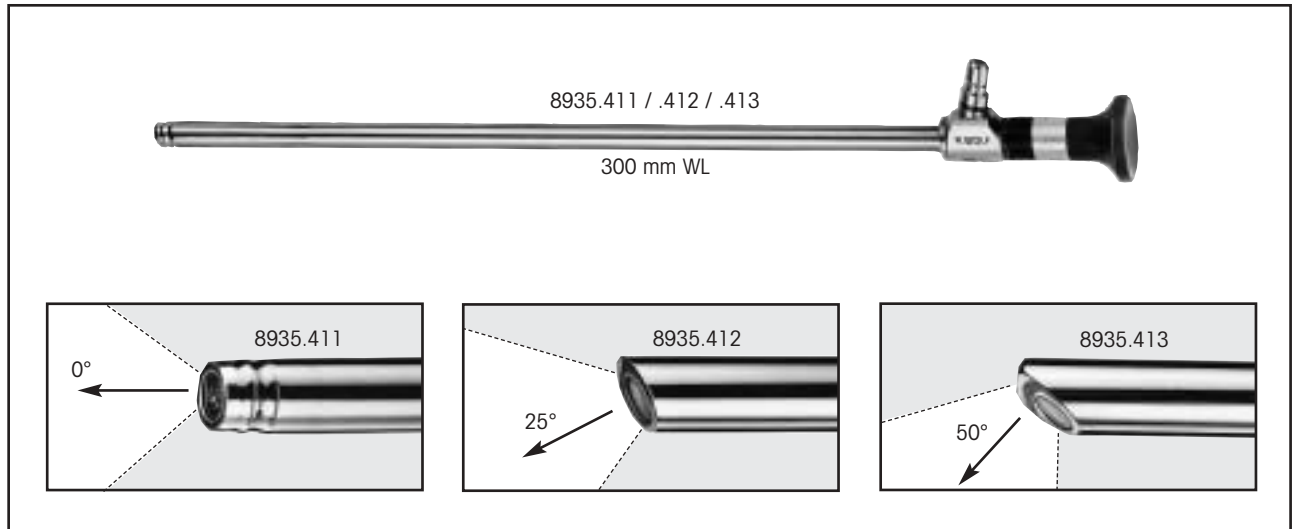
Fiberoptic light cable,

3.5 mm bundle, 3M WL.....8061.356

**Autoclavable
134°C / 273°F
Pre-Vac Cycle**

Laparoscopes 5 mm

≠ distortion-free



2

PANOVIEW PLUS laparoscope, 5 mm diameter

featuring distortion-free optics, fixed eye piece

0°	8935.411
25°	8935.412
50°	8935.413

Fiberoptic light cable,

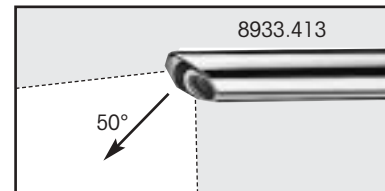
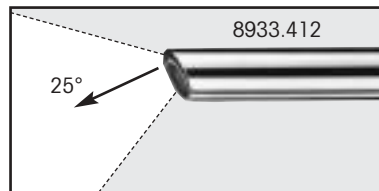
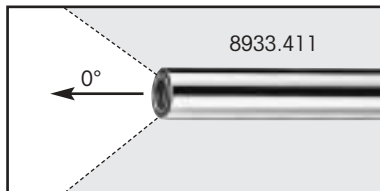
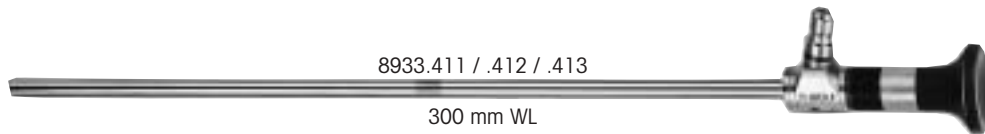
3.5 mm bundle, 3M WL.....	8061.356
---------------------------	----------

**Autoclavable
134°C / 273°F
Pre-Vac Cycle**

Laparoscopes 7 mm

distortion-free

* by Frangenheim



PANOVIEW PLUS laparoscope, 7 mm diameter,

featuring distortion-free optics,

0°	8933.411
25°	8933.412
*50°	8933.413

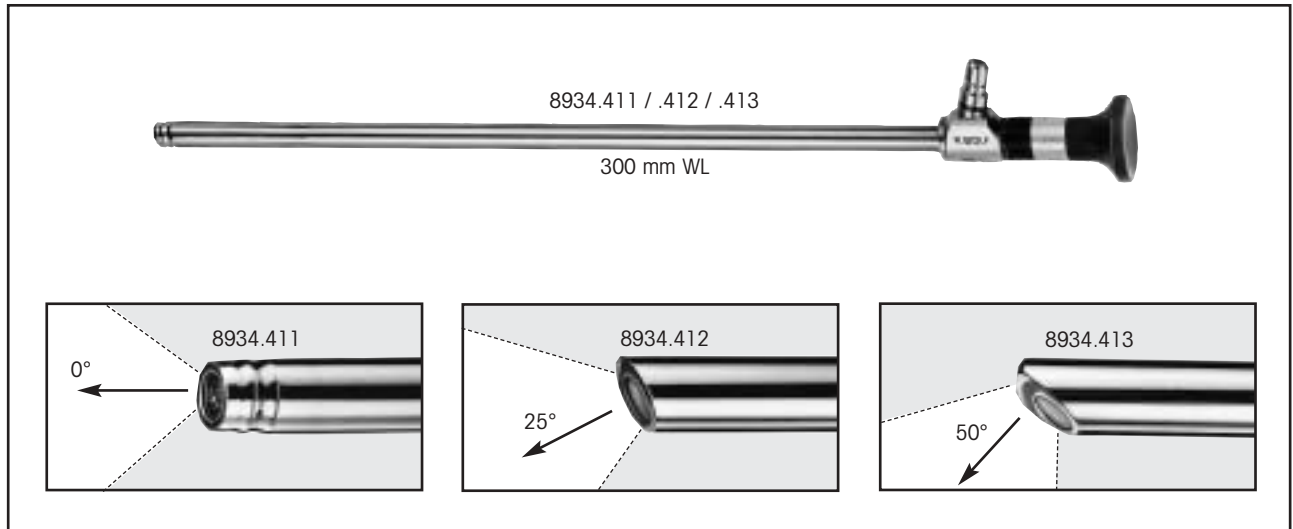
Fiberoptic light cable,

4.5 mm bundle, 3M WL.....	8061.456
---------------------------	----------

**Autoclavable
134°C / 273°F
Pre-Vac Cycle**

Laparoscopes 10 mm

distortion-free



2

PANOVIEW PLUS laparoscope, 10 mm diameter,

featuring distortion-free optics,

- 0°8934.411
- 25°8934.412
- 50°8934.413

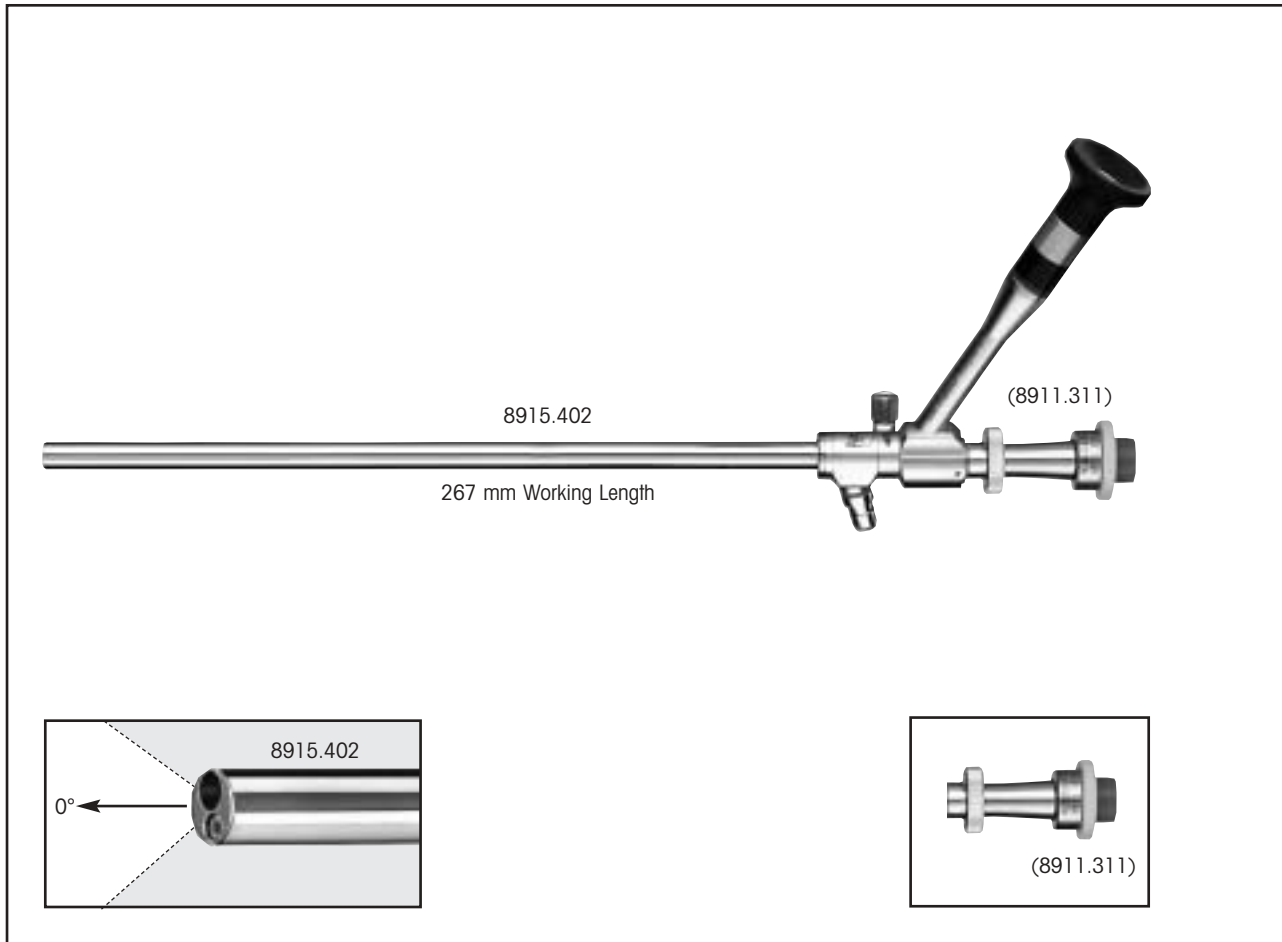
Fiberoptic light cable,

- 4.5 mm bundle, 3M WL8061.456

**Autoclavable
134°C / 273°F
Pre-Vac Cycle**

Operating Laparoscope 10 mm,
5 mm working channel, 45° offset eyepiece

2



PANOVUE PLUS operating laparoscope, 10 mm diameter,
with fixed eyepiece,
with obliquely offset eyepiece, 5 mm working channel
with detachable automatic sealing port (8911.311)
0°8915.402

For automatic sealing valve (8911.311):

Replacement sealing caps,
blue, 12/pkg.89.02BL

Spare membrane valves,
pack of 108920.911

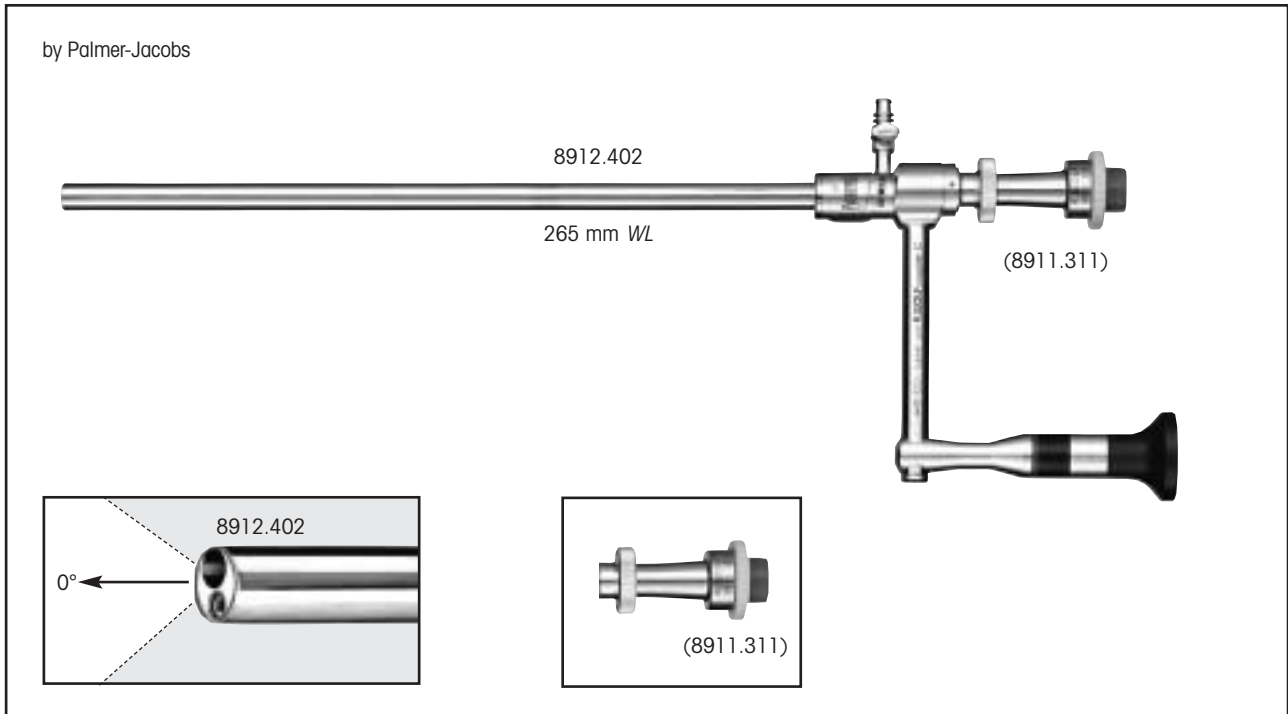
Optional:

Detachable instrument port8911.316

Fiberoptic light cable,
3.5 mm bundle, 3M WL.....8061.356

Operating Laparoscope 10 mm, 5mm working channel, right-angle eyepiece

2



PANOVUE PLUS operating laparoscope, 10 mm, Ø
with right angle eyepiece,
5 mm working channel
with detachable automatic sealing port (8911.311),
0°8912.402

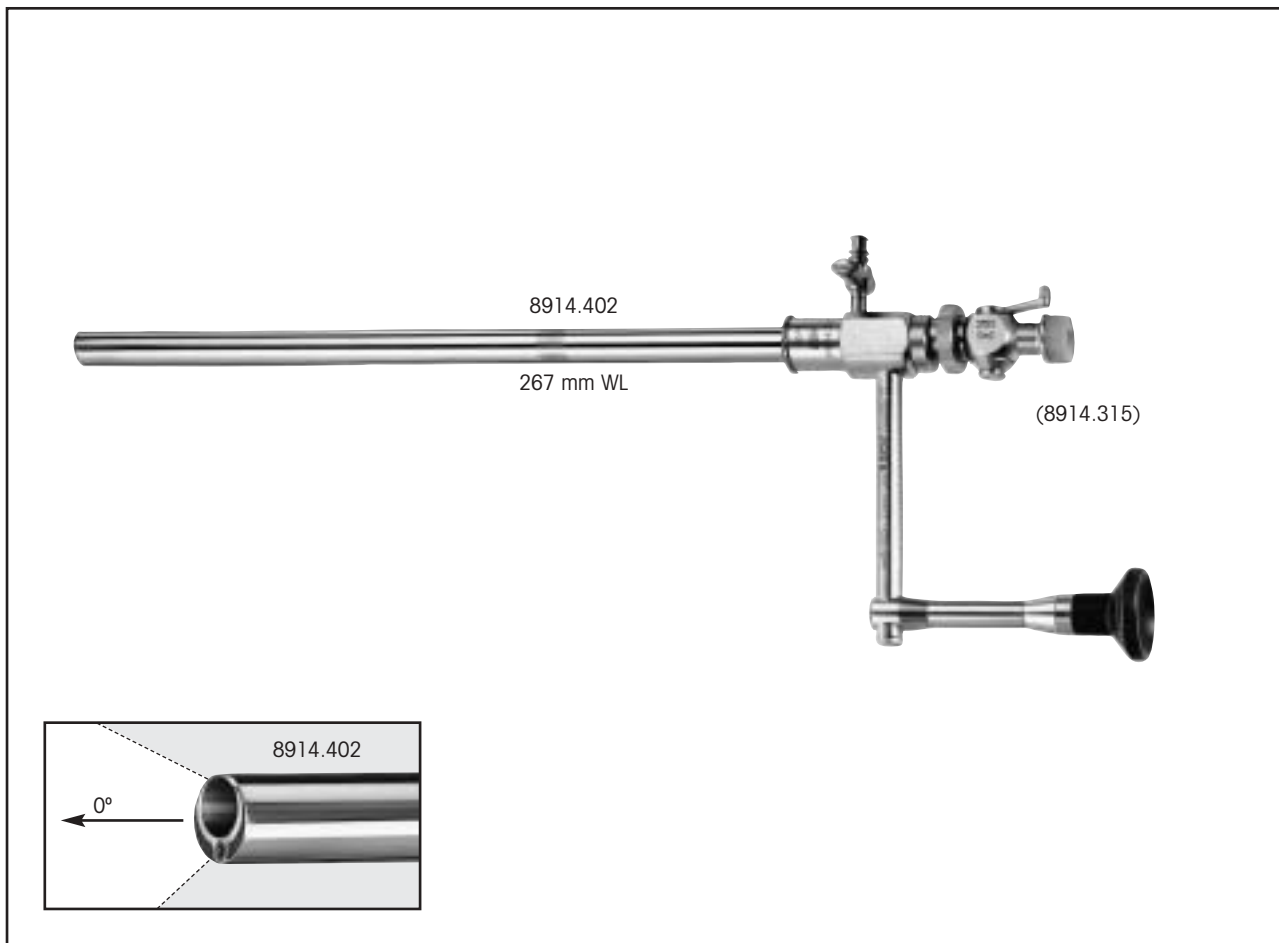
For automatic sealing valve (8911.311):
Replacement sealing caps,
blue, 12/pkg.89.02BL
Spare membrane valves,
pack of 108920.911

Optional:
Detachable instrument port8911.316

Fiber optic light cable,
3.5 mm bundle,
3M WL8061.356

Operating Laparoscope 12.5 mm 7.3 mm working channel, right-angled eyepiece

2

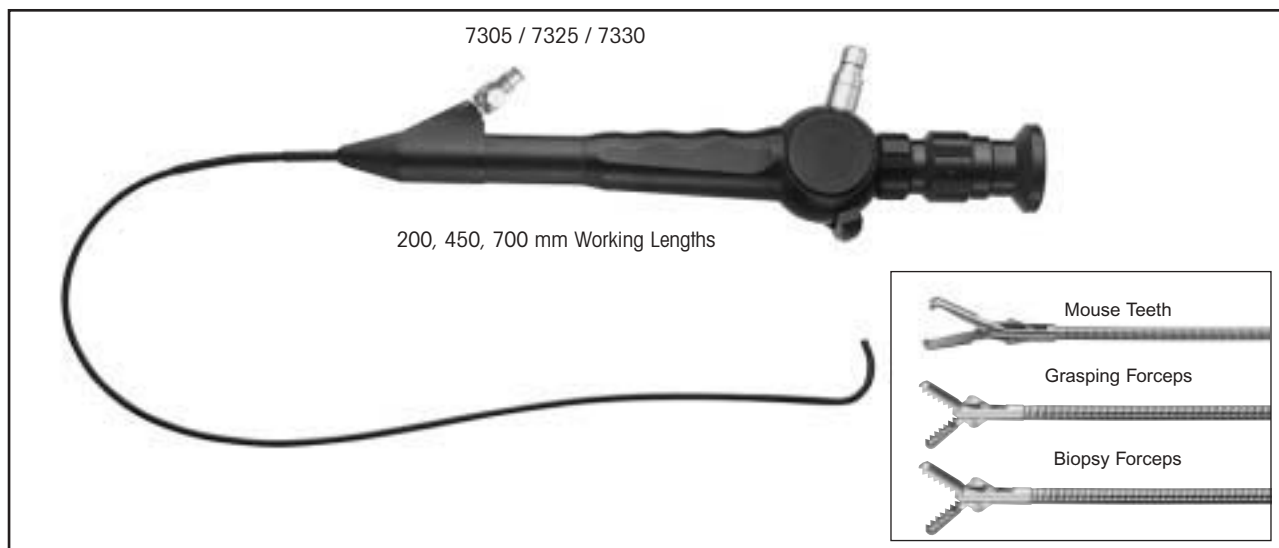


Panoview Plus operating laparoscope, 12.5 mm diameter,
with fixed eyepiece,
7.3 mm working channel, and
detachable stopcock assembly (8914.315)
0° 8914.402

Stopcock assembly 8914.315
Sealing caps, yellow, 12/pkg. 89.05YE
Device stop for using the Hulka Clip applicator,
with the 8914.402 8388.991
Fiberoptic light cable, 3.5 mm bundle, 3M WL 8061.356

Recommended RIWO-ART Trocar Sleeves 12.5mm,
Metal Sleeve, straight distal tip, 100 mm WL 8924.014
Trocar, pyramidal tip, 100 mm WL 8924.123
Metal sleeve, straight distal tip, 150 mm WL 8924.016
Trocar, pyramidal tip, 150 mm WL 8924.125

Flexible Endoscope 2.5 mm, 3.0 mm and 5.0 mm



2

Flexible Endoscope, 2.5 mm diameter,

with fixed eyepiece, 1.2 mm (3.6 Fr.) operating channel, including cleaning brush (7321.911), leakage tester (163.903), and flexible biopsy forceps (7317.60 or 7223.60). Logical deflection: 130° up with upward lever movement, 160° down with downward lever movement,

200 mm WL	7325.122
450 mm WL	7325.152
700 mm WL	7325.172

Flexible Endoscope, 3.0 mm diameter,

with fixed eyepiece, 1.5 mm (4.5 Fr.) operating channel, including cleaning brush (7321.911), leakage tester (163.903), and flexible biopsy forceps (8734.608 or 8734.606). Logical deflection: 130° up with upward lever movement, 160° down with downward lever movement,

450 mm WL	7330.052
700 mm WL	7330.072

Flexible Endoscope, 5.0 mm diameter,

with fixed eyepiece, 2.5 mm (7.5 Fr.) operating channel, including cleaning brush (7264.691), leakage tester (163.903), irrigation / instrument port (7305.782), and flexible biopsy forceps (829.051). Ergonomic deflection: 210° up with downward lever movement, 150° down with upward lever movement,

400 mm WL	7305.006
-----------	----------

or

Logical deflection: 210° up with upward lever movement, 150° down with downward lever movement,

400 mm WL	7305.001
-----------	----------

Fiberoptic light cable,

1.6 mm bundle, 1.8 M.	8061.16
2.5 mm bundle, 3 M.	8061.256

Grasping forceps, flexible

3 Fr., 950 mm WL	828.651
3 Fr., 600 mm WL	7223.65
4 Fr., 850 mm WL	8734.658
4 Fr., 600 mm WL	8734.656
5 Fr., 550 mm WL	828.051

Biopsy forceps, flexible

3 Fr., 850 mm WL	829.651
3 Fr., 600 mm WL	7223.60
4 Fr., 850 mm WL	8734.608
4 Fr., 600 mm WL	8734.606
5 Fr., 550 mm WL	829.051

Mouse Teeth forceps, flexible

4 Fr., 600 mm WL	8734.686
4 Fr., 850 mm WL	8734.688
6.5 Fr., 550 mm WL	8736.685

Scope / Instrument Holder

2



Articulating scope / instrument holder,*
stabilizes laparoscopes, trocar sleeves and
instruments to maintain their position8175.601

*for use with instruments from 5 mm - 12 mm in diameter

Trocar Sleeves 2 mm

with automatic valve

Trocar sleeve					
Instrument	WL	Inner Diameter	Without Port		Trocar, pyramidal tip
			Without Port	With Port	
metal sleeve, standard	60 mm	2 mm	—	8309.012	8309.121
with straight distal tip	100 mm	2 mm	—	8309.014	
plastic sleeve with retaining thread	60 mm	2 mm	8309.072	—	8309.121

Dilation sleeve, 2 mm – 3.5 mm8309.931

Dilation guiderod, 2 mm – 3.5 mm8309.921

Replacement sealing caps, pkg of 12,

for dilation sleeve, 3 mm, red89.01RE

Replacement sealing caps, 12/pkg.,

for 2 mm trocar sleeves, 1-2 mm, red88.01RE





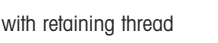
Luer locking cap,

for Luer port, 3 mm887.00

RIWO-ART Trocar Sleeves 3.5 mm

with self sealing magnetic ball-valve

3

RIWO-ART trocar sleeves with insufflation port					
Instrument	WL	Inner Diameter	With Port	Trocar, blunt, conical tip	Trocar, pyramidal tip
 metal sleeve, standard straight distal tip	100 mm	3.5 mm	8903.014	8903.103	8903.123
 plastic sleeve	60 mm	3.5 mm	8903.072	8903.101	8903.121
 with retaining thread	100 mm	3.5 mm	8903.034	8903.103	8903.123


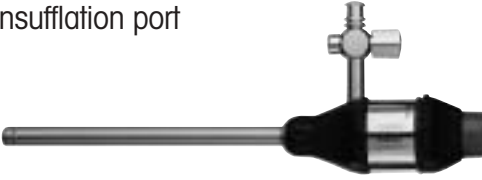



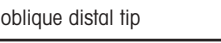

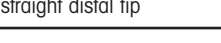

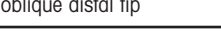


Replacement ball,
for RIWO-ART trocar sleeves, 3.5 mm8921.901

Replacement sealing caps, pkg of 12,
for RIWO-ART trocar sleeves, 3.5 mm, red89.01RE

Replacement O-rings, pkg of 10,
for RIWO-ART trocar sleeves, 3.5 mm8921.951

RIWO-ART Trocar Sleeves 5.5 mm

with self sealing magnetic ball-valve

RIWO-ART trocar sleeves with insufflation port							
Instrument	WL	Inner Diameter			Trocar,	Trocar,	Trocar,
			Without Port	With Port	blunt, conical tip	conical tip	pyramidal tip
 metal sleeve, standard	60 mm	5.5 mm	8921.052	—	8921.101	8921.111	8921.121
 straight distal tip	100 mm	5.5 mm	—	8921.014	8921.103	8921.113	8921.123
 metal sleeve, standard	60 mm	5.5 mm	8921.051	—	8921.101	8921.111	8921.121
 oblique distal tip	100 mm	5.5 mm	—	8921.013	8921.103	8921.113	8921.123
 metal sleeve with retaining thread	60 mm	5.5 mm	8921.062	—	8921.101	8921.111	8921.121
 straight distal tip	100 mm	5.5 mm	—	8921.024	8921.103	8921.113	8921.123
 metal sleeve with retaining thread	60 mm	5.5 mm	8921.061	—	8921.101	8921.111	8921.121
 oblique distal tip	100 mm	5.5 mm	—	8921.023	8921.103	8921.113	8921.123
 Plastic sleeve with retaining thread	60 mm	5.5 mm	8921.072	—	8921.101	8921.111	8921.121
	100 mm	5.5 mm	—	8921.034	8921.103	8921.113	8921.123






Replacement ball,
 for RIWO-ART trocar sleeves, 5.5 mm8921.901

Replacement sealing caps, pkg of 12,
 for RIWO-ART trocar sleeves, 5.5 mm, blue89.02BL

Replacement O-rings, pkg of 10,
 for RIWO-ART trocar sleeves, 5.5 mm8921.951

Trocar Sleeves 5.5 mm

3

 <p>Self-retaining, threaded, reusable, plastic trocar sleeve with automatic membrane valve, (8920.911) and sealing caps (89.02BL)</p>					
Instrument	WL	Inner Diameter	Type	Trocar, conical tip	Trocar, pyramidal tip
	55 mm*	5.5 mm	8920.001	8920.011	8920.021
	95 mm	5.5 mm	8920.003	8920.013	8920.023
 <p>Insertion sleeve</p>	<p><i>This sleeve prevents the tip of the cannula being damaged when opening the valve of the trocar sleeve and protects instrument accessories (for example sealing caps, membrane valves etc.) from being damaged by sharp instruments.</i></p>				8383.00



*also suitable for pediatric laparoscopy



Replacement membrane valves, pkg of 108920.911



Replacement cap housing, pkg of 1,
for 5.5 mm trocar sleeves, (8920) 15 135.270

Replacement sealing caps, pkg of 12,
for 5.5 mm trocar sleeves, 5.5 mm, blue89.02 BL

Trocar Sleeves 5.5 mm and 5 mm

Insulated trocar sleeve with automatic clip valve				 Trocar 5.5 mm, pyramidal tip
				
Instrument	WL	Inside Diameter	Type	
without stopcock	100 mm	5.5 mm	8351.07	
with stopcock	100 mm	5.5 mm	8940.07	8351.14




Insulated trocar sleeve without automatic valve				 Trocar 5.5 mm, pyramidal tip
				
Instrument	WL	Inside Diameter	Type	
without stopcock	120 mm	5.5 mm	8351.03	8351.14

Insulated Reich self-retaining trocar sleeve without automatic valve				 Trocar 5 mm, pyramidal tip
				
Instrument	WL	Inside Diameter	Type	
without stopcock	55 mm	5 mm	8351.02	8351.122

Replacement sealing caps, pkg of 12,
 for 5.5 mm and 5 mm trocar sleeves, 5 mm, blue89.02 BL

Trocar Sleeves / Self-retaining Sleeves 5 mm

3

Trocar sleeve with trumpet valve, metal					
Instrument	WL	Inner Diameter	Type	Trocar, pyramidal tip	
 straight distal tip	105 mm	5 mm	8940.01	8940.12*	

*May be used only with 8940.01

Replacement sealing caps, pkg of 12,

for 5 mm trocar sleeves, 5 mm, blue89.02BL





For 5 mm trocar sleeves:

Self-retaining sleeve, 5 mm8940.301

RIWO-ART Trocar Sleeves 7 mm

with self sealing magnetic ball-valve

RIWO-ART trocar sleeves with insufflation port				Trocar tips		
Instrument	WL	Inner Diameter	With Port	Trocar, blunt conical tip	Trocar, conical tip	Trocar, pyramidal tip
metal sleeve, standard 	100 mm	7 mm	8922.013	8922.103	8922.113	8922.123
oblique distal tip						
metal sleeve, standard 	100 mm	7 mm	8922.014	—	8922.115	8922.125
straight distal tip	150 mm		8922.016			

Vario Port reducer,

7 mm - 5 mm8923.802
(Also works as 12.5 mm and 10 mm - 5 mm)

Replacement ball,

for RIWO-ART trocar sleeves, 7 - 12.5 mm8923.901

Replacement O-rings, pkg of 10,

for RIWO-ART trocar sleeves, 7 - 12.5 mm8923.951

Replacement sealing caps, pkg of 12,

for RIWO-ART trocar sleeves, 7 mm, brown89.171BR




Replacement sealing caps, pkg of 12,

for Vario Port reducer (8923.801)89.02BL

Trocar Sleeves 8 mm

with trumpet valve, metal

3

				 <p>Trocar, pyramidal tip</p>
Instrument	WL	Inner Diameter	Type	
 straight distal tip	105 mm	8 mm	8932.01	8932.12



Replacement sealing caps, pkg of 12,

for 8 mm trocar sleeves, 8 mm, yellow89.05YE

RIWO-ART Trocar Sleeves 10 mm

with self sealing magnetic ball-valve

RIWO-ART trocar sleeves with insufflation port				Trocar tips		
Instrument	WL	Inner Diameter	With Port	Trocar, blunt conical tip	Trocar, conical tip	Trocar, pyramidal tip
metal sleeve, standard	100 mm	10 mm	8923.014	8923.103	8923.113	8923.123
straight distal tip	150 mm	10 mm	8923.016	—	8923.115	8923.125
metal sleeve, standard	100 mm	10 mm	8923.013	8923.103	8923.113	8923.123
oblique distal tip						
metal sleeve with retaining thread	100 mm	10 mm	8923.024	8923.103	8923.113	8923.123
straight distal tip						
metal sleeve with retaining thread	100 mm	10 mm	8923.023	8923.103	8923.113	8923.123
oblique distal tip						

10 mm trocar with retractable shield	
	

Vario Port reducer,

10 mm - 5 mm8923.802
(Also works as 12.5 mm and 7 mm - 5 mm)

Replacement ball,

for RIWO-ART trocar sleeves, 7 - 12.5 mm8923.901

Replacement O-rings, pkg of 10,

for RIWO-ART trocar sleeves, 7 - 12.5 mm8923.951

For 10 mm trocar sleeves, pyramidal trocar with spring retractable shield
100 mm WL,8934.125

Replacement sealing caps, pkg of 12,

for Vario Port reducer, 5 mm89.02BL

Replacement sealing caps, pkg of 12,

for RIWO-ART trocar sleeves, 10 mm, red89.08RE

Self retaining sleeve, for standard

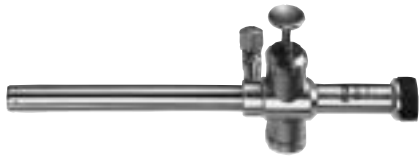




RIWO-ART trocar sleeves, 10 mm,
10 mm8934.301

Replacement spring, pkg of 1,

for 10 mm pyramidal protective sleeve trocar, (8934.125)..15 006.324

Trocar Sleeves / Self-retaining Sleeves 10 mm

3

with trumpet valve, metal					
Instrument	WL	Inner Diameter	Type	Trocar, conical tip	Trocar, pyramidal tip
					
	100 mm	10 mm	8934.01	8923.113	8923.123
straight distal tip	145 mm	10 mm	8934.071**	8923.115	8923.125
	100 mm	10 mm	8934.03*	8923.113	8923.123
oblique distal tip					

*The trocar sleeve with the oblique tip allows tissue to be penetrated more easily.

**long version for heavier patients

Replacement sealing caps, pkg of 12,

for 10 mm trocar sleeves, 10 mm, red.....89.08 RE







For 10 mm trocar sleeves:*

Self-retaining sleeve, 10 mm8934.301


*for use with 8934... series and 8923... series RIWO-ART trocar sleeves

Sliding Cone for 10 mm RIWO-ART Trocar Sleeves for Open Laparoscopy / Pelviscopy

3





<p>8934.901</p> 	<p>Sliding cone to fit over trocar sleeves shown below. Also fits R.Wolf trumpet valve 10 mm trocar sleeve with smooth sheath. See page Lap 3.12</p>			<p>8934.901</p>
<p>Instrument</p>	<p>Working Length</p>	<p>Inner Diameter</p>	<p>Type</p>	<p>also available: Obturator, blunt tip</p>
 <p>RIWO-ART trocar sleeve (standard length)</p>	<p>100 mm</p>	<p>10 mm</p>	<p>8923.014</p>	<p>8934.15</p>
 <p>RIWO-ART trocar sleeve and oblique distal tip (standard length)</p>	<p>100 mm</p>	<p>10 mm</p>	<p>8923.013</p>	<p>8934.15</p>
 <p>RIWO-ART trocar sleeve (long version)</p>	<p>150 mm*</p>	<p>10 mm</p>	<p>8923.016</p>	<p>8934.175</p>

*long version for heavier patients


	<p>To expose anatomical layers: Tissue retractors, S-shaped, set of two</p>	<p>8928.90</p>
---	--	-----------------------

Sliding Cone for 10 mm Trumpet-Valve Trocar Sleeves for Open Laparoscopy / Pelviscopy





3

<p>8934.901</p> 	<p>Sliding cone to fit over trocar sleeves shown below. Also fits RIWO-ART 10 mm trocar sleeve with smooth sheath. See page Lap 3.11</p>			<p>8934.901</p>
Instrument	Working Length	Inner Diameter	Type	also available: Obturator , blunt tip
 <p>Trocar sleeve with trumpet valve (standard length)</p>	95 mm	10 mm	8934.01	8934.15
 <p>Trocar sleeve with trumpet valve and oblique distal tip (standard length)</p>	95 mm	10 mm	8934.03	8934.15
 <p>Trocar sleeve with trumpet valve* (long version)</p>	145 mm*	10 mm	8934.071	8934.175

*long version for heavier patients

	<p>To expose anatomical layers: Tissue retractors, S-shaped, set of two</p>	<p>8928.90</p>
---	--	-----------------------

RIWO-ART Trocar Sleeves 12.5 mm with self sealing magnetic ball-valve

RIWO-ART trocar sleeves						
Instrument	WL	Inner Diameter	With Port	Trocar, blunt conical tip	Trocar, conical tip	Trocar, pyramidal tip
metal sleeve, standard 	100 mm	12.5 mm	8924.014	8924.103	8924.113	8924.123
straight distal tip 	150 mm	12.5 mm	8924.016	–	8924.115	8924.125
metal sleeve, standard 	100 mm	12.5 mm	8924.013	8924.103	8924.113	8924.123
oblique distal tip						
metal sleeve with retaining thread 	60 mm	12.5 mm	8924.022	8924.101	8924.111	8924.121
straight distal tip						

Vario Port reducer,
12.5 mm - 10 mm8924.802

Replacement sealing caps, pkg of 12,
for Vario Port reducer, 10 mm.....89.08 RE

Vario Port reducer,
12.5 mm - 5.5 mm8923.802
(Also works as 12.5 mm-7 mm)

Replacement sealing caps, pkg of 12,
for Vario Port reducer, 5 mm.....89.02 BL


Replacement ball,
for RIWO-ART trocar sleeves, 7 - 12.5 mm.....8923.901

Replacement O-rings, pkg of 10,
for RIWO-ART trocar sleeves, 7 - 12.5 mm.....8923.951

Replacement sealing caps, pkg of 12,
for RIWO-ART trocar sleeves, 12.5 mm, blue89.09 BL

RIWO-ART High-Flow Trocar Sleeves, 10 mm & 12.5 mm

with high flow insufflation tube connection

with self sealing magnetic-ball-valve				<i>Trocar, blunt conical tip</i>	<i>Trocar, conical tip</i>	<i>Trocar, pyramidal tip</i>
Instrument	WL	Inner Diameter	Types			
 <i>Metal sleeve, standard, straight distal tip</i>	100 mm	10 mm	8923.042	8923.103	8923.113	8923.123
	100 mm	12.5 mm	8924.042	8924.103	8924.113	8924.123

VARIO-PORT reducing adapter

for reduction from

10 mm to Ø 5.5 mm Ø and

12.5 mm to Ø 5.5 mm Ø8923.802

12.5 mm to Ø 10 mm Ø8924.802

Spare ball, 1 piece, capacity 12.5 mm8923.901

Spare o-rings, pack of 10, capacity 12.5 mm8923.951

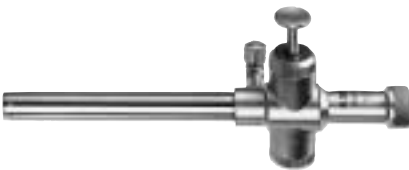
Spare sealing caps, 12/pkg

capacity 10 mm, red,89.08RE

capacity 12.5 mm, blue89.09BL



Trocar Sleeves 12 mm

with trumpet valve, metal				
Instrument	WL	Inner Diameter	Type	Trocar, pyramidal tip
 straight distal tip	100 mm	12 mm	8941.01	8941.12

Replacement sealing caps, pkg of 12,

for 12.5 mm trocar sleeves, blue89.09BL

Trotec Trocars, 5 mm, 10 mm & 12.5 mm with automatic protective function

Conical Tip
Conical tip dilates fascia for secure holding of the trocar sleeve in the abdominal wall.

Linear Tip
Linear blade provides for easy penetration of the abdominal wall, and minimizes fascial defect size.

The protective rod retracts automatically into the cannula when it makes contact with the abdominal wall.

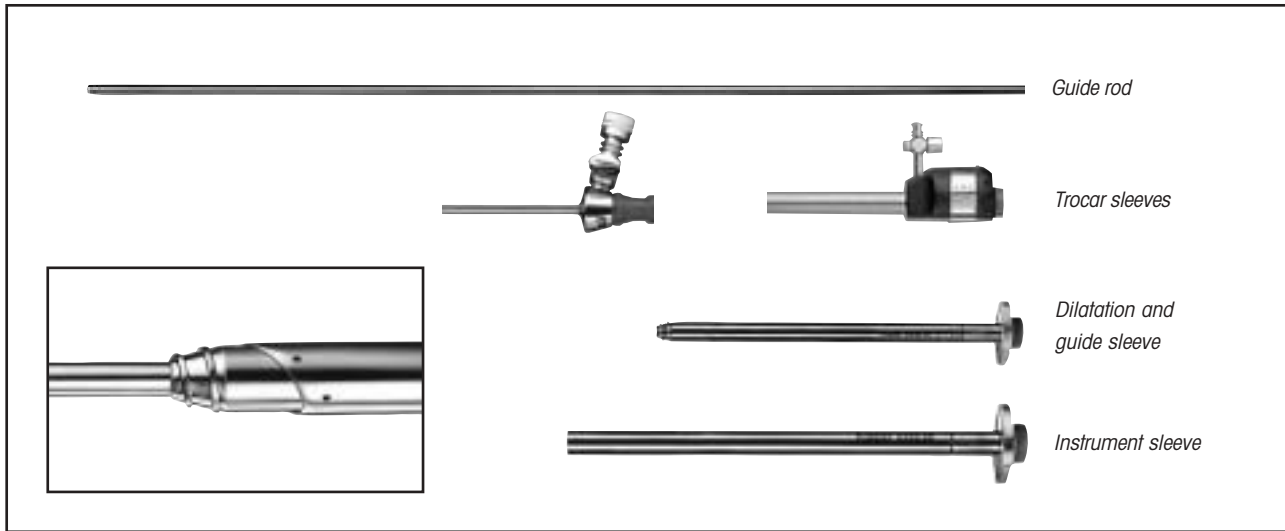
Immediately after penetrating the peritoneum, the protective rod snaps back into the free abdominal cavity.

The extreme distal position of the atraumatic protective rod covers the trocar tip after insertion.

TROTEC trocar obturator consisting of:			For RIWO-ART trocar sleeves:		
Sheath with contact tip	Sheath with double-edged linear tip	Handle with spring-mounted protective rod	WL mm	Diameter mm	TROTEC trocar complete
8921.132		8923.135	100	5.5	8921.131
	8921.134	8923.135	100	5.5	8921.133
8923.132		8923.135	100	10.0	8923.131
	8923.134	8923.135	100	10.0	8923.133
8924.132		8923.135	100	12.5	8923.131
	8924.134	8923.135	100	12.5	8923.133

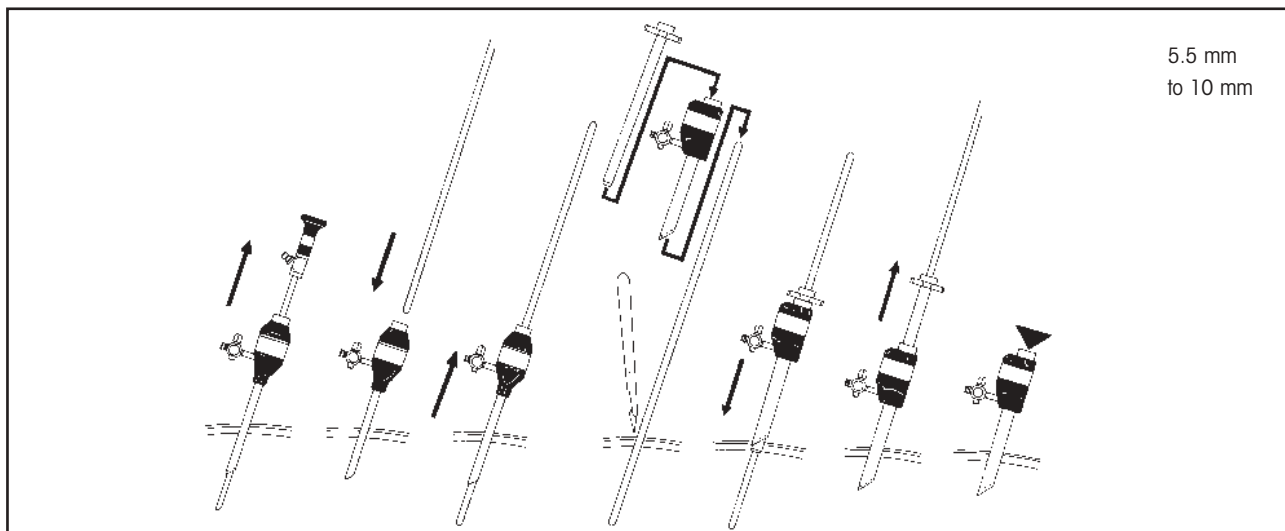
Dilatation and Extraction Instruments

3

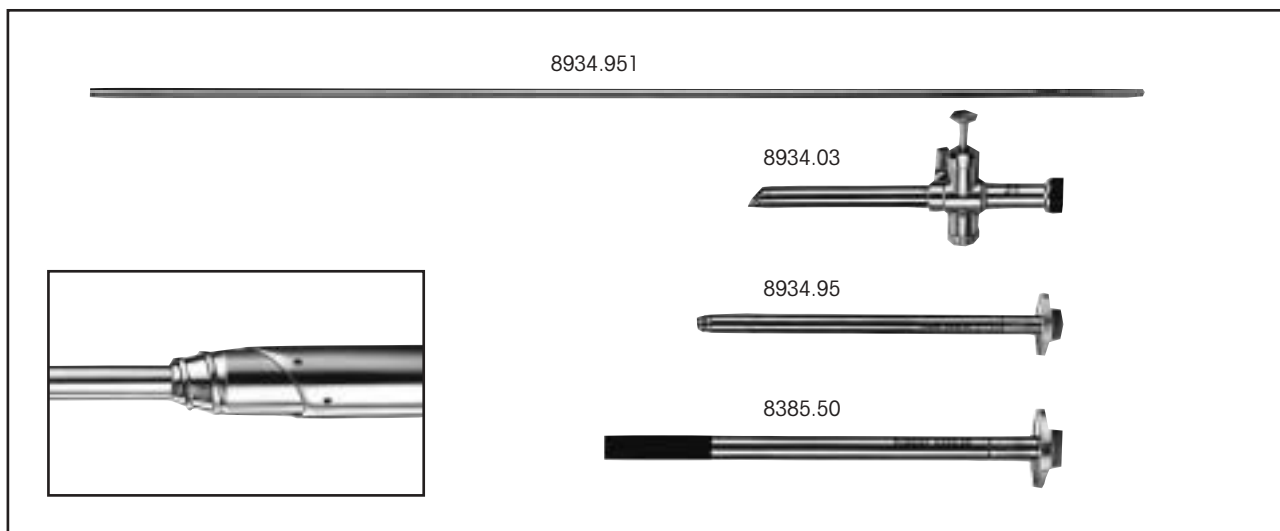


To extend the puncture site from	Guide rod	Trocar sleeve	Dilatation and guide sleeve	Instrument sleeve and extractor
2 - 3.5 mm	8309.921	8309.012	8309.931	-
5.5 - 10 mm	8923.921	8923.013	8923.931	8385.50*
10 -12.5 mm	8943.901	8924.013	8924.931	8941.951

* for sealed application of 5 mm instruments in the 10 mm trocar sleeve and for extraction of the appendix.

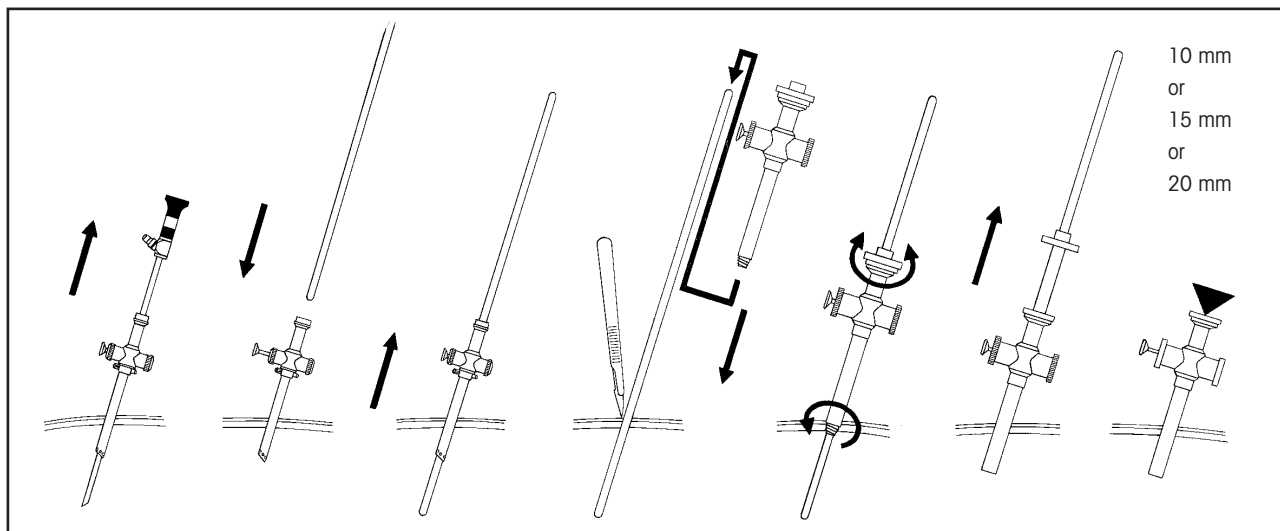


Dilatation and Extraction Instruments 5-10 mm



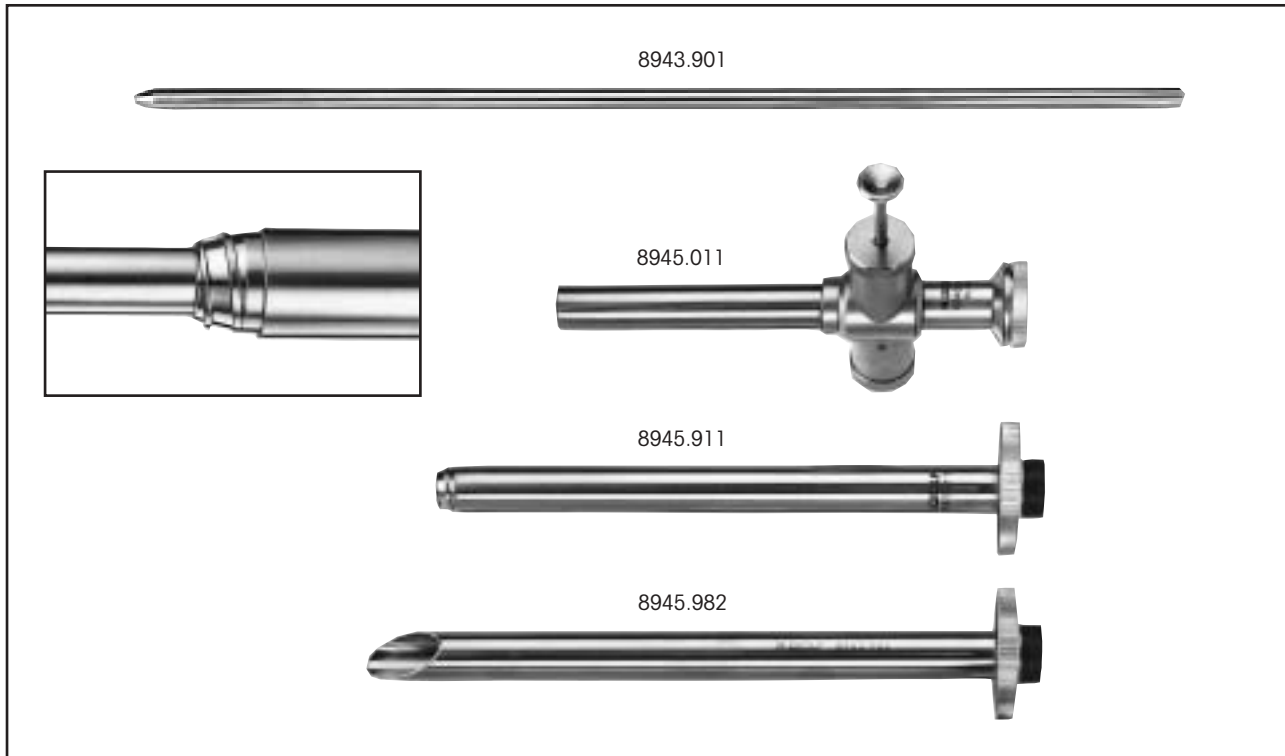
To expand the puncture site	Guide rod	Trocar sleeve with trumpet valve	Dilatation and guide sleeve	Instrument sleeve and extractor
5 -10 mm	8934.951	8934.03	8934.95	8385.50*

*for sealed application of 5 mm instruments in the 10 mm trocar sleeve and for extraction of the appendix.



Dilatation and Extraction Instruments 10-15 mm and 10-20 mm

3

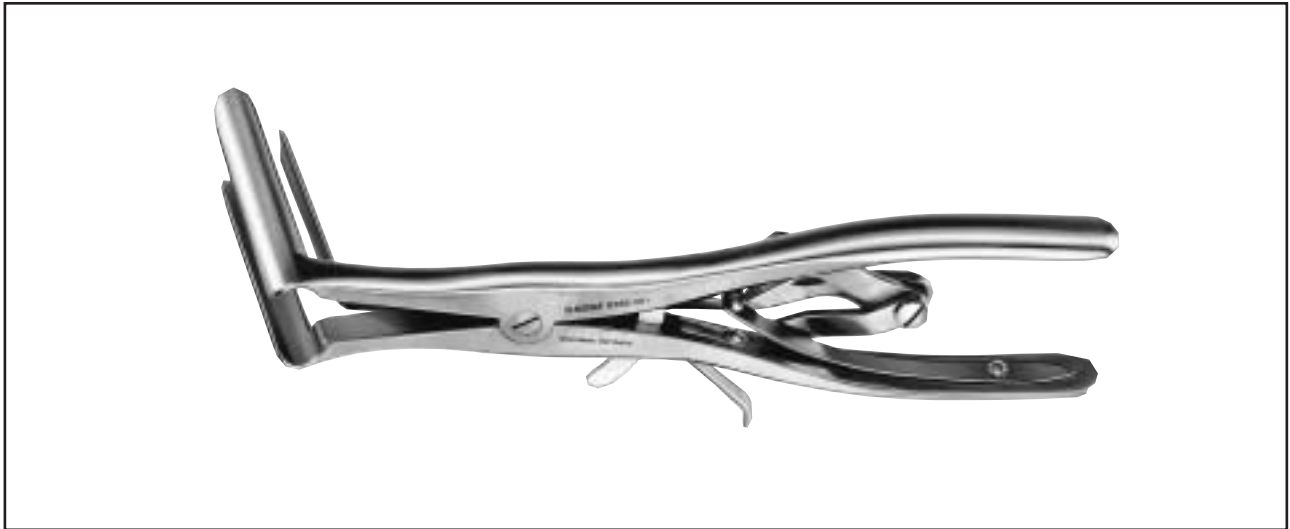


To expand the puncture site	Guide rod	Trocar sleeve with trumpet valve	Dilatation and guide sleeve	Instrument sleeve and extractor
10 - 15 mm	8943.901	8943.011	8943.911	8943.982*
10 - 20 mm	8943.901	8945.011	8945.911	8945.982*

The 15 or 20 mm trocar sleeve can be used as an access for retrieving larger portions of tissue (e.g. myomata, appendix, etc.).

*for sealed application of 10 mm instruments and for extraction of appendix.

Endodilator



3

To expand the incision and for problem-free extraction of organs in laparoscopic surgery (e.g. removal of a particularly large gallbladder).

- three blades for simple and uniform expansion of the incision
- mechanism to lock blades in place

Endodilator,

14 mm diameter,


3 blades, handle with locking mechanism,

55 mm WL.....8386.001

3

Reducing Sleeves and Adapters

for trocar sleeves




Description	Outer Diameter	Working Length	Inner Diameter	Type
10 / 5 mm Instrument sleeve and extractor	10 mm	170 mm	5 mm	8385.50
10 / 5 mm Reducing sleeve	10 mm	160 mm	5.5 mm	8934.98
12 / 10 mm Reducing sleeve	12 mm	180 mm	10 mm	8941.901
12 / 5 mm Reducing sleeve	12 mm	180 mm	5 mm	8941.951

Replacement sealing caps, pkg of 12,

for 5 mm instruments, blue89.02 BL

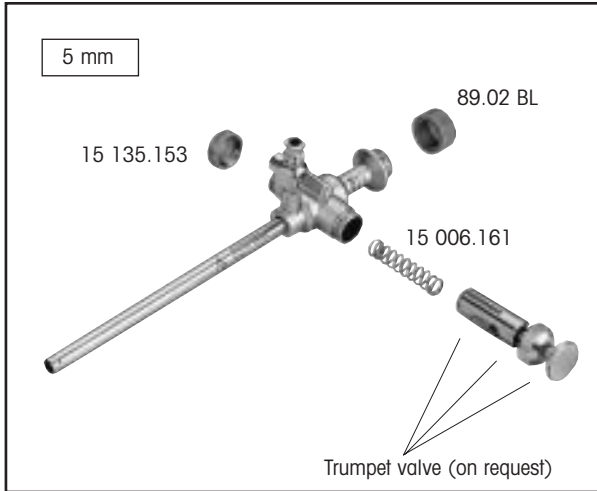
for 10 mm instruments, red89.08 RE



Description	Reduce form	To	Type
VARIO-PORT reducing adapter (pkg of 5)	12.5 mm Ø 10.0 mm Ø 7.0 mm Ø	5.5 mm Ø	8923.802
	12.5 mm Ø	10.0 mm Ø	8924.802

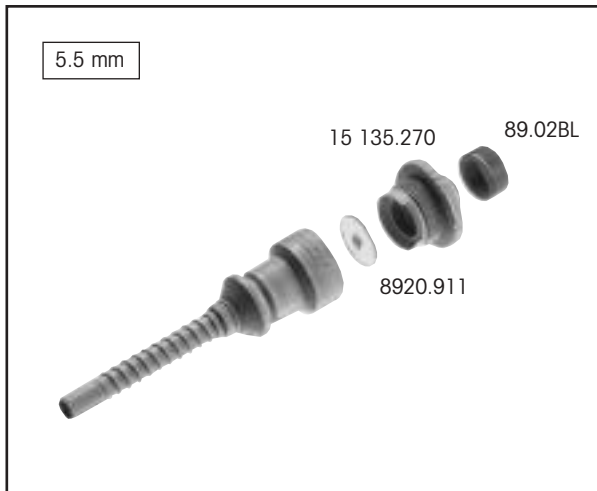
Spare Parts for Trocar Sleeves

3



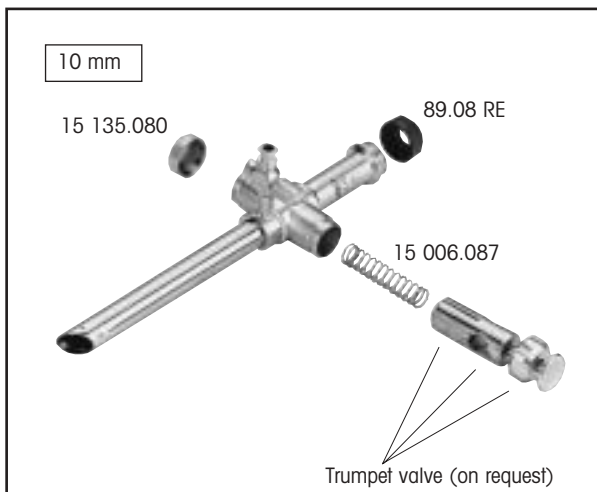
8940.01 / 8940.03

Base cover	15 135.153
Sealing caps, pkg of 12, blue	89.02 BL
Spring	15 006.161



8920.001 / 8920.003

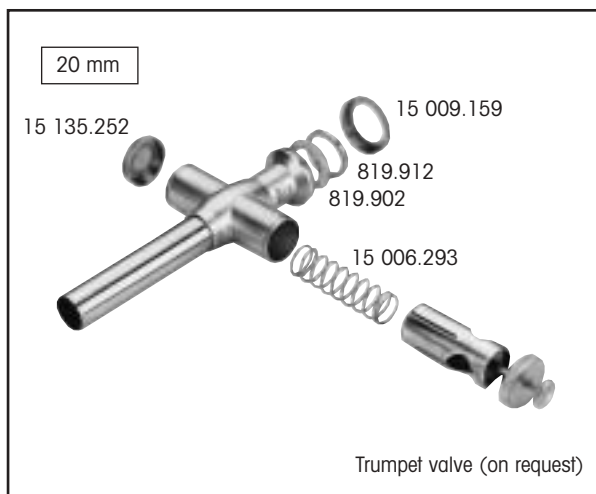
Cap housing, complete	15 135.270
Membrane valves, pkg of 10	8920.911
Sealing caps, pkg of 12, blue	89.02 BL



8934.01 / 8934.03 / 8934.071

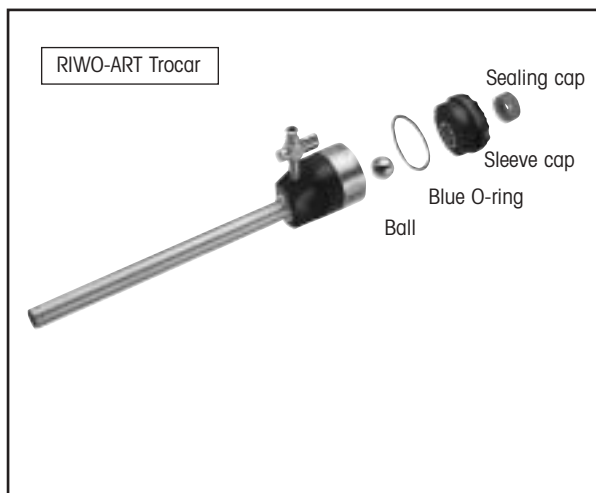
Base cover	15 135.080
Sealing caps, pkg of 12, red	89.08 RE
Spring	15 006.087

Replacement Parts for Trocar Sleeves



8945.011

Base cover	15 135.252
Union nut	15 009.159
Inner ring, metal	819.912
Washer	819.902
Spring	15 006.293



RIWO-ART Trocar

Replacement Sealing Caps

for 3.5 mm RIWO-ART trocar, 12/pkg.	89.01 RE
for 5.5 mm RIWO-ART trocar, 12/pkg.	89.02 BL
for 7 mm RIWO-ART trocar, 12/pkg.	89.171 BR
for 10 mm RIWO-ART trocar, 12/pkg.	89.08 RE
for 12.5 mm RIWO-ART trocar, 12/pkg.	89.09 BL

O-Rings

for 3.5 mm and 5.5 mm RIWO-ART trocars	8921.951
for 7 mm, 10 mm and 12.5 mm RIWO-ART trocars	8923.951




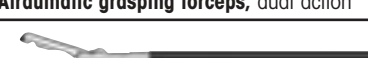
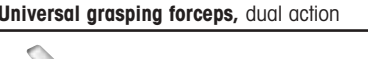
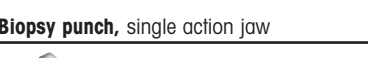
Ball Valve

for 3.5 mm and 5.5 mm RIWO-ART trocars	8921.901
for 7 mm, 10 mm and 12.5 mm RIWO-ART trocars	8923.901

Sleeve Cap

for 3.5 mm.....	15 157.190
for 5.5 mm.....	15 157.189
for 7 mm.....	15 114.043
for 10 mm.....	15 114.045
for 12.5 mm.....	15 114.044

Auxiliary Instruments 2.0 mm monopolar

Instrument	WL	Type
 Scissors, straight, dual action blades	●	8756.001
 Dissector, straight, dual action jaw	●	8756.101
 Atraumatic grasping forceps, dual action	●	8756.111
 Universal grasping forceps, dual action	●	8756.121
 Biopsy punch, single action jaw	●	8756.011
 Biopsy punch, w/ sharp tip, single action	●	8756.012
Injection / aspiration cannula, 1.4 mm / 2 mm	●	8309.241
Liver biopsy cannula, 1.6 mm / 2 mm	●	8309.261
Coagulation button electrode, 2 mm, monopolar	●	823.06

HF connecting cables:


Wolf to Wolf, 10 ft., Reusable8106.132
 Wolf to Wolf, 10 ft., Disposable, sterile, 10 / pkg4106.1320





HF connecting cables:

Wolf to Valleylab, 10 ft., Reusable8106.033
 Wolf to Valleylab, 10 ft., Disposable, sterile, 10/pkg4106.0330

Grasping / Biopsy Forceps / Scissors 3 mm monopolar

4





Instrument	Working Length 320 mm	Working Length 450 mm	Type
	●		8379.031
Grasping forceps, atraumatic double action jaw		●	8380.031
	●		8379.011
Biopsy forceps, Palmer Jacobs jaw		●	8380.011
	●		8379.041
Biopsy forceps, Spoon double action jaw		●	8380.041
	●		8379.021
Hooked scissors, serrated, single action blade		●	8380.021

HF connecting cables:
 Wolf to Wolf, 10 ft., Reusable8106.132
 Wolf to Wolf, 10 ft., Disposable, sterile, 10 / pkg4106.1320

HF connecting cables:
 Wolf to Valleylab, 10 ft., Reusable8106.033
 Wolf to Valleylab, 10 ft., Disposable, sterile, 10/pkg4106.0330

Grasping Forceps 3 mm









Instrument	Working Length 320 mm	Working Length 450 mm	Type
	●		8379.08
Grasping forceps, Alligator, double action jaw		●	8380.08

Modular Graspers & Dissectors, 3.5 mm

Richard Wolf "Grip" Line Modular System, monopolar

4

<i>Inner section with insulated sheath tube and irrigation tap</i>				<i>Handle type</i>		Complete instrument • Jaw insert • Sheath tube • Handle
Instrument	Type	WL 240 mm	WL 310 mm	 <i>with locking mechanism, rotatable</i>	 <i>with locking mechanism</i>	
 <i>Grasping / dissecting forceps, curved left, both jaws opening "Maryland Dissector"</i>	8390.205	●		●		8390.2054
					●	8390.2055
	8391.205		●	●		8391.2054
						●
 <i>Atraumatic grasping forceps, both jaws opening</i>	8390.204	●		●		8390.2044
					●	8390.2045
	8391.204		●	●		8391.2044
						●
 <i>Universal grasping forceps, both jaws opening</i>	8390.254	●		●		8390.2544
					●	8390.2545
	8391.254		●	●		8391.2544
						●
 <i>Grasping forceps, both jaws opening, model "Babcock"</i>	8390.255	●		●		8390.2554
					●	8390.2555
	8391.255		●	●		8391.2554
						●

The Richard Wolf "Grip" Line modular system is designed for total flexibility and interchangeability of jaw

Instruments may be ordered complete or assembled from components purchased individually.

HF connecting cables:

- Wolf to Wolf, 10 ft., Reusable8106.132
- Wolf to Wolf, 10 ft., Disposable, sterile, 10 / pkg4106.1320

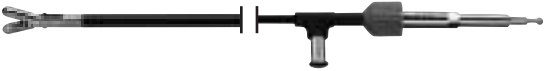



HF connecting cables:

- Wolf to Valleylab, 10 ft., Reusable8106.033
- Wolf to Valleylab, 10 ft., Disposable, sterile, 10/pkg4106.0330

HF connecting cable see page Lap 16.13

Biopsy Forceps 3.5 mm

Richard Wolf "Grip" Line Modular System, monopolar

				Complete instrument • Inner section with sheath tube • Handle
Instrument	Type		8393.0003	Type
 Biopsy forceps, spoon shaped	8391.406	●	●	8391.4063
 Biopsy forceps, cutting action	8391.405	●	●	8391.4053

HF connecting cables,

Wolf to Wolf, 10 ft., Reusable8106.132
 Wolf to Wolf, 10 ft., Disposable, sterile, 10 / pkg4106.1320

HF connecting cables,




Wolf to Valleylab, 10 ft., Reusable8106.033
 Wolf to Valleylab, 10 ft., Disposable, sterile, 10/pkg4106.0330

HF connecting cable see page Lap 16.13

Grasping Forceps / Dissectors 5 mm

Richard Wolf "Grip" Line Modular System, monopolar

4

Jaw insert		Sheath tube, insulated			Handle type			Complete instrument • Jaw insert • Sheath tube • Handle
					without locking mechanism, rotatable	with locking mechanism, rotatable	with locking mechanism	
Instrument	Type	WL 240 mm	WL 310 mm	WL 430 mm	8393.0003	8393.0004	8393.0005	Type
		 Atraumatic grasping forceps, both jaws opening	8392.204	●				●
8392.205							●	8392.2045
8393.204			●			●		8393.2044
8393.205							●	8393.2045
8394.204				●		●		8394.2044
8394.205						●	8394.2045	
 Grasping forceps, blunt, both jaws opening	8393.206		●		●			8393.2063
	8394.206			●	●			8394.2063
 Grasping forceps, 14 mm, tapered, both jaws opening	8393.225		●			●		8393.2254
							●	8393.2255

HF connecting cables:

- Wolf to Wolf, 10 ft., Reusable8106.132
- Wolf to Wolf, 10 ft., Disposable, sterile, 10 / pkg4106.1320








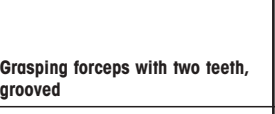


HF connecting cables:

- Wolf to Valleylab, 10 ft., Reusable8106.033
- Wolf to Valleylab, 10 ft., Disposable, sterile, 10/pkg4106.0330

HF connecting cable see page Lap 16.13

Grasping Forceps / Dissectors 5 mm

Richard Wolf "Grip" Line Modular System, monopolar

Jaw insert		Sheath tube, insulated		Handle type		Complete instrument • Jaw insert • Sheath tube • Handle
						
				with locking mechanism, rotatable	with locking mechanism	
		WL 310 mm	WL 430 mm			
Instrument	Type	8393.911	8394.911	8393.0004	8393.0005	Type
	8393.234	●		●		8393.2344
					●	8393.2345
	8393.235	●		●		8393.2354
					●	8393.2355
	8393.266	●		●		8393.2664
					●	8393.2665
	8394.266		●	●		8394.2664
					●	8394.2665
	8393.265	●		●		8393.2654
					●	8393.2655
	8394.265		●	●		8394.2654
					●	8394.2655

HF connecting cables:

Wolf to Wolf, 10 ft., Reusable8106.132
 Wolf to Wolf, 10 ft., Disposable, sterile, 10 / pkg4106.1320

HF connecting cables:





Wolf to Valleylab, 10 ft., Reusable8106.033
 Wolf to Valleylab, 10 ft., Disposable, sterile, 10/pkg4106.0330

HF connecting cable see page Lap 16.13

Grasping Forceps / Dissectors 5 mm

Richard Wolf "Grip" Line Modular System, monopolar

4

Jaw insert		Sheath tube, insulated			Handle type			Complete instrument • Jaw insert • Sheath tube • Handle
					without locking mechanism, rotatable	with locking mechanism, rotatable	with locking mechanism	
Instrument	Type	WL 240 mm	WL 310 mm	WL 430 mm	8393.0003	8393.0004	8393.0005	Type
			8393.236		•		•	
Grasping and coagulation forceps, both jaws opening						•		8393.2364
	8393.244		•		•			8393.2443
Grasping and dissecting forceps, both jaws opening								
	8392.205	•			•		•	8392.2053
								8392.2055
	8393.205		•		•		•	8393.2053
								8393.2055
Grasping and dissecting forceps, curved left, both jaws opening	8394.205			•	•		•	8394.2053
							•	8394.2055
	8393.224		•			•		8393.2244
							•	8393.2245
Grasping and dissecting forceps, 18 mm, tapered, both jaws opening								

HF connecting cables:

Wolf to Wolf, 10 ft., Reusable8106.132
 Wolf to Wolf, 10 ft., Disposable, sterile, 10 / pkg4106.1320





HF connecting cables:

Wolf to Valleylab, 10 ft., Reusable8106.033
 Wolf to Valleylab, 10 ft., Disposable, sterile, 10/pkg4106.0330

HF connecting cable see page Lap 16.13

Grasping Forceps / Dissectors 5 mm

Richard Wolf "Grip" Line Modular System, monopolar

Jaw insert		Sheath tube, insulated		Handle type		Complete instrument • Jaw insert • Sheath tube • Handle
				with locking mechanism, rotatable	with locking mechanism	
Instrument	Type	WL 310 mm	WL 430 mm	8393.0004	8393.0005	Type
		 Grasping and dissecting forceps, 20 mm, single jaw action	8393.264	•		•
					•	8393.2645
8394.264			•	•		8394.2644
					•	8394.2645
 Grasping and dissecting forceps, 15 mm, single jaw action	8393.274	•		•		8393.2744
					•	8393.2745
	8394.274		•	•		8394.2744
					•	8394.2745
 Universal grasping forceps, both jaws opening	8393.254	•		•		8393.2544
					•	8393.2545
 Plate-shaped grasping forceps, both jaws opening	8393.255	•		•		8393.2554
					•	8393.2555

HF connecting cables:

Wolf to Wolf, 10 ft., Reusable8106.132
 Wolf to Wolf, 10 ft., Disposable, sterile, 10 / pkg4106.1320

HF connecting cables:





Wolf to Valleylab, 10 ft., Reusable8106.033
 Wolf to Valleylab, 10 ft., Disposable, sterile, 10/pkg4106.0330

HF connecting cable see page Lap 16.13

Grasping Forceps / Dissectors 5 mm







Richard Wolf "Grip" Line Modular System, monopolar

4

Jaw insert		Sheath tube, insulated		Handle type	Complete instrument • Jaw insert • Sheath tube • Handle
					
		WL 310 mm		with locking mechanism, rotatable	
Instrument	Type	8393.911		8393.0004	Type
	8393.414	●		●	8393.4144
Grasping and dissecting forceps, curved left, both jaws opening					



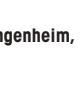
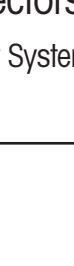
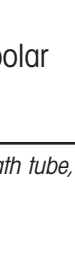
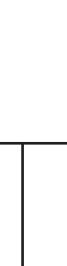
HF connecting cable see page Lap 16.12

Modular forceps without HF connection and extended length sheath

Jaw insert	Sheath tube, insulated						Handle Type  with ratchet rotatable, no HF	Complete instrument
	Type	WL 240 mm	WL 310 mm	WL 430 mm	Extended Length Sheath WL 310 mm WL 430 mm			
	Type	8392.911	8393.911	8394.911	8393.913	8394.913	8393.0002	Type
	8393.324		●				●	8393.3242
	8392.325	●					●	8392.3252
	8393.325		●				●	8393.3252
	8394.325			●			●	8394.3252
	8393.292				●		●	8393.2922
	8394.292					●	●	8394.2922
	8393.489				●		●	8393.4892
	8394.489					●	●	8394.4892
Retraction grasper, with 2 teeth, single action								

Grasping Forceps / Dissectors 5 mm

Richard Wolf "Grip" Line Modular System, monopolar

<i>Jaw insert</i>		<i>Sheath tube, insulated</i>		<i>Handle type</i>	Complete instrument • Jaw insert • Sheath tube • Handle
					
				<i>without locking mechanism, rotatable</i>	
Instrument	Type	WL 310 mm	WL 430 mm	8393.0003	Type
 Biopsy forceps, spiked, both jaws opening	8393.404	●		●	8393.4043
	8394.404		●	●	8394.4043
 Biopsy forceps, cutting action	8393.405	●		●	8393.4053
	8394.405		●	●	8394.4053
 Hook punch by Frangenheim, cutting action	8393.016	●		●	8393.0163
	8394.016		●	●	8394.0163

HF connecting cables:

Wolf to Wolf, 10 ft., Reusable8106.132
 Wolf to Wolf, 10 ft., Disposable, sterile, 10 / pkg4106.1320





HF connecting cables:

Wolf to Valleylab, 10 ft., Reusable8106.033
 Wolf to Valleylab, 10 ft., Disposable, sterile, 10/pkg4106.0330

HF connecting cable see page Lap 16.13

Grasping Forceps 5 mm monopolar

4


<p>Handle with cleaning channel and flip-away ratchet mechanism</p> 		
Instrument	315 mm WL	Type
 Grasping forceps, with distal row of teeth, single action jaw	●	8383.046
 Grasping forceps, 2/3 pronged, grooved, single action jaw	●	8383.047
 Grasping forceps, short, cupped, double action jaw	●	8383.127






HF connecting cables:
 Wolf to Wolf, 10 ft., Reusable8106.132
 Wolf to Wolf, 10 ft., Disposable, sterile, 10 / pkg4106.1320

HF connecting cables:
 Wolf to Valleylab, 10 ft., Reusable8106.033
 Wolf to Valleylab, 10 ft., Disposable, sterile, 10/pkg4106.0330

Grasping / Biopsy Forceps 5 mm monopolar

Handle with cleaning channel and extended finger spur




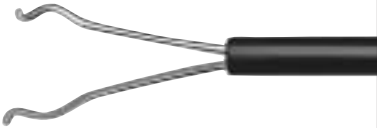

Instrument	320 mm WL	450 mm WL	Type
	•		8383.036
Grasping forceps, atraumatic, blunt, double action jaws		•	8384.036
	•		8383.101
Biopsy forceps with double-spoon jaws and spikes		•	8384.101
	•		8383.124
Biopsy forceps, single cutting action		•	8384.124
	•		8383.131
Biopsy forceps, hook punch, single cutting action		•	8384.131
	•		8383.037
Grasping forceps, serrated, fenestrated, double action jaws			

HF connecting cables:
 Wolf to Wolf, 10 ft., Reusable8106.132
 Wolf to Wolf, 10 ft., Disposable, sterile, 10 / pkg4106.1320

HF connecting cables:
 Wolf to Valleylab, 10 ft., Reusable8106.033
 Wolf to Valleylab, 10 ft., Disposable, sterile, 10/pkg4106.0330

Grasping Forceps 5 mm monopolar



4

with spring handle			
Instrument	320 mm WL	450 mm WL	Type
	●		8383.141
Grasping forceps, fenestrated, atraumatic		●	8384.141
	●		8383.142
Grasping forceps, atraumatic		●	8384.142
	●		8383.14
Grasping forceps, atraumatic, for fine structures		●	8384.14



HF connecting cables:
 Wolf to Wolf, 10 ft., Reusable8106.132
 Wolf to Wolf, 10 ft., Disposable, sterile, 10 / pkg4106.1320

HF connecting cables:
 Wolf to Valleylab, 10 ft., Reusable8106.033
 Wolf to Valleylab, 10 ft., Disposable, sterile, 10/pkg4106.0330

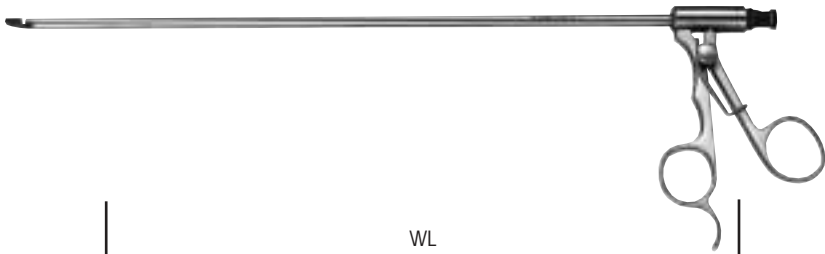

Grasping Forceps 5 mm

with spring handle and cleaning channel		
Instrument	WL	Type
 Atraumatic forceps with grooved plates	310 mm	8383.41
 Grasper and ampulla dilator	310 mm	8383.48

Grasping Forceps 5 mm


		
Instrument	WL	Type
 <p>Grasping forceps, double action jaws, for delicate structures (e.g. Fallopian tubes, etc.)</p>	315 mm	8383.321


Cholangiography Catheter / Grasping Forceps 5 mm

		
Instrument	WL	Type
 <p>Cholangiography Catheter grasping forceps</p>	295 mm	8383.311

For introducing up to a 7 Fr. cholangiography catheter to into the cystic duct.

Grasping / Biopsy Forceps 5 mm





Spring-action handle, finger spur and cleaning channel		
Instrument	WL	Type
 <p>Biopsy forceps, with spikes, single action jaw</p>	315 mm	8383.471

Ratcheted locking handle		
Instrument	WL	Type
 <p>Grasping forceps, alligator, double action jaw</p>	315 mm	8383.08

Grasping Forceps / Dissectors 5 mm

Richard Wolf "Grip" Line Modular System, monopolar

4




Jaw insert		Sheath tube, insulated		Handle type			Complete instrument • Jaw insert • Sheath tube • Handle
Instrument	Type	WL 310 mm	without locking mechanism, rotatable	with locking mechanism, rotatable	with locking mechanism	Type	
	8393.214	•	•				8393.2143
	8393.215	•		•			8393.2154
						•	
	8393.216	•			•		8393.2164
							•
	Introducing sleeve 5 / 10 mm with sealing cap (89.02)						8934.981

HF connecting cables:
 Wolf to Wolf, 10 ft., Reusable8106.132
 Wolf to Wolf, 10 ft., Disposable, sterile, 10 / pkg4106.1320

HF connecting cables:
 Wolf to Valleylab, 10 ft., Reusable8106.033
 Wolf to Valleylab, 10 ft., Disposable, sterile, 10/pkg4106.0330

HF connecting cable see page Lap 16.13

Grasping / Dissecting Forceps 5 mm for use in 10 mm trocar sleeves, monopolar

<p>Handle with cleaning channel and extended finger spur</p> 		
Instrument	WL	Type
 <p>Grasping and dissecting forceps, double action tapered jaws, angled left</p>	315 mm	8383.591
	<p>Required for use with the instrument listed above:</p> <p>Introducing sleeve 5 / 10 mm with sealing cap (89.02 BL)</p>	8934.981

HF connecting cables;

Wolf to Wolf, 10 ft., Reusable8106.132
 Wolf to Wolf, 10 ft., Disposable, sterile, 10 / pkg4106.1320

HF connecting cables;

Wolf to Valleylab, 10 ft., Reusable8106.033
 Wolf to Valleylab, 10 ft., Disposable, sterile, 10/pkg4106.0330





Grasping / Dissecting Forceps 5 mm

for use in 10 mm trocar sleeves

Spring-action handle, extended finger spur and cleaning channel








4

Instrument	WL	Type
 Dissecting forceps by Petelin, spring-assisted closing action, angled 30° left, single action jaw	315 mm	8383.581
 Dissecting forceps by Petelin, spring-assisted closing action, angled 60° left, single action jaw	315 mm	8383.582
 Grasping/Dissecting forceps, curved left, single action jaw Handle without spring action	315 mm	8383.571
	Required for use with the instruments listed above: Introducing sleeve 5 / 10 mm with sealing cap (89.02 BL)	8934.981






Grasping Forceps / Dissectors 10 mm

Richard Wolf "Grip" Line Modular System, without HF post

Jaw insert		Sheath tube, uninsulated		Handle type	Complete instrument • Jaw insert • sheath tube • Handle
Instrument	Type	WL 310 mm		with locking mechanism, rotatable	
	8395.204	•	•	•	8395.2042
Grasping forceps, 2/3 claws					
	8395.214	•	•	•	8395.2142
Atraumatic grasping forceps, both jaws opening "Babcock"					
	8395.215	•	•	•	8395.2152
Atraumatic intestine grasping forceps					
	8395.224	•	•	•	8395.2242
Universal grasping forceps, both jaws opening					
	8395.234	•	•	•	8395.2342
Atraumatic plate-shaped grasping forceps, both jaws opening					







Grasping Forceps / Dissectors 10 mm

Richard Wolf "Grip" Line Modular System, without HF post

<i>Jaw insert</i>		<i>Sheath tube, uninsulated</i>		<i>Handle type</i>	Complete instrument • <i>Jaw insert</i> • <i>sheath tube</i> • <i>Handle</i>
Instrument	Type	8395.901	8393.0002	Type	
	8395.235	●	●		8395.2352
Grasping forceps by Debaquey, both jaws opening					
	8395.236	●	●		8395.2362
Grasping forceps with alligator jaws, both jaws opening					
	8395.225	●	●		8395.2252
Grasping and dissecting forceps, "Maryland", both jaws opening					
	8395.226	●	●		8395.2262
Dissecting forceps, right angled, both jaws opening					
	8395.244	●	●		8395.2442
Spoon-shaped grasping forceps					

Modular Graspers / Dissectors, 10 mm






Richard Wolf "Grip" Line Modular System

<i>Jaw insert</i>		<i>Sheath tube, uninsulated</i>		<i>Handle type</i>		Complete instrument • <i>Jaw insert</i> • <i>Sheath tube</i> • <i>Handle</i>
						
Instrument	Type	WL 310 mm 8395.901	8393.0002		Type	
 Dissecting forceps, right angled, double action	8395.226	•	•		8395.2262	
 Grasping forceps, spoon-shaped, single action	8395.244	•	•		8395.2442	
 Grasping and manipulation forceps, double action	8395.504*	•	•		8395.5042	

* Only for use through the 15mm trocar sleeves or 10mm flexible trocar sleeves

Modular Forceps, Extended Length, 10 mm

Richard Wolf "Grip" Line Modular System





<i>Jaw insert</i>		<i>Sheath tube, uninsulated</i>		<i>Handle Type</i>		Complete instrument • <i>Jaw insert</i> • <i>Sheath tube</i> • <i>Handle</i>
						
Instrument	Type	WL 370mm 8397.901	8393.0002		8393.941	Type
 Gastric band manipulator	8397.654S01	•	•		•	8397.651S01
 Anvil grasper for circular stapler	8397.655	•	•		•	8397.6552

Grasping Forceps 10 mm

Spring-action handle, extended finger spur and cleaning channel





4

Instrument	WL	Type
 Grasping forceps, 2/3 pronged, single action jaw	335 mm	8385.10
 Grasping forceps, spoon-shaped, single action jaw	335 mm	8385.12
 Alligator grasping and extraction forceps, single action jaw	335 mm	8385.13
 "Babcock" atraumatic grasping forceps, double action jaws	290 mm	8385.611

For retrieval of large portions of tissue through a 10 mm, 15 mm or 20 mm trocar sleeve (e.g. resected gallbladder, appendix, myomata, etc.).

Morcellator 10 mm






4

		
Instrument	WL	Type
 Morcellator, for reducing and removing tissue	280 mm	8385.00

Grasping Forceps / Dissectors 5 mm

Richard Wolf "Grip" Line, single piece, monopolar

4

Rotating handle with cleaning channel		Handle type		Complete instrument • Jaw insert • Sheath tube • Handle
Instrument	WL 310 mm	WL 430 mm	HF Post • Rotatable without Ratchet	
	•		•	8393.2418
Grasping & Dissecting Forcep				
	•		•	8393.2058
Maryland Dissector				
	•		•	8393.4628
Dolphin Nose Dissector		•	•	8394.4628
	•		•	8393.0068
Hook Scissors		•	•	8394.0068
	•		•	8393.0248
Metzenbaum Scissors		•	•	8394.0248

- Convenient single-piece design permits efficient cleaning & quick turnover of instruments
- Ergonomic handle design results in optimal distal jaw response

HF connecting cables:

Wolf to Wolf, 10 ft., Reusable8106.132
 Wolf to Wolf, 10 ft., Disposable, sterile, 10 / pkg4106.1320

HF connecting cables:

Wolf to Valleylab, 10 ft., Reusable8106.033
 Wolf to Valleylab, 10 ft., Disposable, sterile, 10/pkg4106.0330

Laparoscopic instrument Tray,

24 x 11 1/8 x 8 1/8 (l x w x h).....8585.011

Grasping Forceps / Dissectors 5 mm

Richard Wolf "Grip" Line, single piece, monopolar

Rotating handle with cleaning channel		Handle type		Complete instrument • Jaw insert • Sheath tube • Handle
Instrument	WL 310mm	WL 430mm	HF Post • Rotatable with Ratchet	Type
Universal Grasper	•		•	8393.2549
"Mixer" Grasping Dissector	•		•	8393.4149
Alligator Grasper	•		•	8393.4159
Grasping forceps for fine structures	•		•	8393.2659
		•	•	8394.2659
Grasping and coagulation forceps	•		•	8393.2369

4

- Convenient single-piece design permits efficient cleaning & quick turnover of instruments
- Ergonomic handle design results in optimal distal jaw response

HF connecting cables:

Wolf to Wolf, 10 ft., Reusable8106.132
 Wolf to Wolf, 10 ft., Disposable, sterile, 10 / pkg4106.1320

HF connecting cables:

Wolf to Valleylab, 10 ft., Reusable8106.033
 Wolf to Valleylab, 10 ft., Disposable, sterile, 10/pkg4106.0330







Laparoscopic instrument Tray,

24 x 11 1/8 x 8 1/8 (l x w x h).....8585.011

Grasping Forceps / Dissectors 5 mm

Richard Wolf "Grip" Line, single piece, without HF post

4

Rotating handle with cleaning channel		Handle type		Complete instrument • Jaw insert • Sheath tube • Handle
Instrument	WL 310 mm	WL 430 mm	Rotatable • Ratcheted with Ratchet	
	•		•	8393.2927
Wave Side Grasper, single action jaw		•	•	8394.2927
	•		•	8393.2937
Wave Side Grasper, double action jaw		•	•	8394.2937
	•		•	8393.4897
Retraction Grasper with 2 Teeth		•	•	8394.4897
	•		•	8393.4947
Atraumatic Bowel Grasper		•	•	8394.4947
	•		•	8393.3257
Bobcock Grasping Forceps, double action jaw				
	•		•	8393.3267
Atraumatic Paddle Bobcock, double action jaw				

- Convenient single-piece design permits efficient cleaning & quick turnover of instruments
- Ergonomic handle design results in optimal distal jaw response

HF connecting cables:

Wolf to Wolf, 10 ft., Resuable8106.132
 Wolf to Wolf, 10 ft., Disposable, sterile, 10 / pkg4106.1320

HF connecting cables:

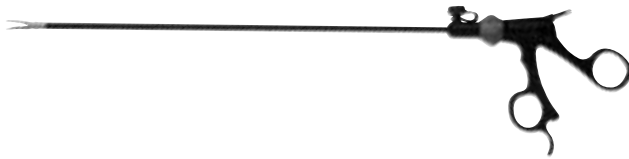




Wolf to Valleylab, 10 ft., Resuable8106.033
 Wolf to Valleylab, 10 ft., Disposable4106.0330

Laparoscopic instrument Tray,

24 x 11 1/8 x 8 1/8 (l x w x h).....8585.011

Grasping Forceps 5 mm

Richard Wolf "Grip" Line, single piece, monopolar

Rotating handle with cleaning channel		Handle type		Complete instrument • Jaw insert • Sheath tube • Handle
				
Instrument	WL 310mm	HF Post • Rotatable	Type	
 Hook punch by Frangenheim, cutting action, single action jaw	•	•	8393.0168	
 Biopsy Forceps, cutting action, single action jaw	•	•	8393.4058	
 Biopsy Forceps, spiked, double action	•	•	8393.4048	

- Convenient single-piece design permits efficient cleaning & quick turnover of instruments
- Ergonomic handle design results in optimal distal jaw response

HF connecting cables:

Wolf to Wolf, 10 ft., Reusable8106.132
 Wolf to Wolf, 10 ft., Disposable, sterile, 10 / pkg4106.1320

HF connecting cables:

Wolf to Valleylab, 10 ft., Reusable8106.033
 Wolf to Valleylab, 10 ft., Disposable, sterile, 10/pkg4106.0330






Laparoscopic instrument Tray,

24 x 11 1/8 x 8 1/8 (l x w x h).....8585.011

Grasping Forceps 10 mm

Richard Wolf "Grip" Line, single piece, without HF post

4

Rotating handle with cleaning channel		Handle type		Complete instrument • Jaw insert • Sheath tube • Handle
				
Instrument	WL 310mm	Rotatable • Ratcheted with Ratchet	Type	
 Grasping Forceps, spoon shape	•	•	8395.2447	
 2/3 Claw Forceps, single action	•	•	8395.2047	
 Atraumatic Grasping Forceps, "Babcock"	•	•	8395.2147	

- Convenient single-piece design permits efficient cleaning & quick turnover of instruments
- Ergonomic handle design results in optimal distal jaw response

HF connecting cables:

Wolf to Wolf, 10 ft., Reusable8106.132
 Wolf to Wolf, 10 ft., Disposable, sterile, 10 / pkg4106.1320

HF connecting cables:


Wolf to Valleylab, 10 ft., Reusable8106.033
 Wolf to Valleylab, 10 ft., Disposable, sterile, 10/pkg4106.0330






Laparoscopic instrument Tray,

24 x 11 1/8 x 8 1/8 (l x w x h).....8585.011

Scissors 2, 3, & 5 mm

Single piece, monopolar



Instrument	Diameter (mm)	Working Length					Type
		240 mm	315 mm	320 mm	445 mm	450 mm	
 Scissors, straight, dual action blades	2	●					8756.001
 Hooked scissors, serrated, single action blade	3			●			8379.021
 Hooked scissors, serrated, single action blade	3					●	8380.021
					●		8383.026
 Hooked scissors, serrated, single action blade	5					●	8384.022
					●		8383.028
 Scissors, blunt, single action blade	5			●			8383.028

5

HF connecting cables:



Wolf to Wolf, 10 ft., Reusable8106.132
 Wolf to Wolf, 10 ft., Disposable, sterile, 10 / pkg4106.1320

HF connecting cables:

Wolf to Valleylab, 10 ft., Reusable8106.033
 Wolf to Valleylab, 10 ft., Disposable, sterile, 10/pkg4106.0330

Grasping Forceps / Dissectors 3.5 mm

Richard Wolf "Grip" Line Modular System, monopolar

Inner section with insulated sheath tube and irrigation tab				Handle type		Complete instrument • Inner section with sheath tube • Handle
Instrument	Type	WL 240 mm	WL 310 mm	WL 430 mm	without locking mechanism, rotatable	
					8393.0003	Type
 Scissors, curved left, both blades, opening "Metzenbaum"	8389.006			●	●	8389.0063
	8390.006	●			●	8390.0063
	8391.006		●		●	8391.0063
 Hooked scissors, one blade opening	8391.014		●		●	8391.0143

HF connecting cables:





Wolf to Wolf, 10 ft., Reusable8106.132
 Wolf to Wolf, 10 ft., Disposable, sterile, 10 / pkg4106.1320


HF connecting cables:

Wolf to Valleylab, 10 ft., Reusable8106.033
 Wolf to Valleylab, 10 ft., Disposable, sterile, 10/pkg4106.0330

Grasping Forceps / Dissectors 5 mm

Richard Wolf "Grip" Line Modular System, monopolar

<i>Jaw insert</i>		<i>Sheath tube, insulated</i>			<i>Handle type</i>	Complete instrument • Jaw insert • Sheath tube • Handle
						
		WL 240 mm	WL 310 mm	WL 430 mm	<i>without locking mechanism, rotatable</i>	
Instrument	Type	8392.911	8393.911	8394.911	8393.0003	Type
	8392.024	●			●	8392.0243
	8393.024		●		●	8393.0243
	8394.024			●	●	8394.0243

<i>Spare jaw insert, pack of 3, not sterile</i>		<i>spare jaw insert</i>	
			
		WL 310 mm	WL 430 mm
		●	
			●
	Type		8393.034
			8394.034

HF connecting cables:

Wolf to Wolf, 10 ft., Reusable8106.132
 Wolf to Wolf, 10 ft., Disposable, sterile, 10 / pkg4106.1320

HF connecting cables:





Wolf to Valleylab, 10 ft., Reusable8106.033
 Wolf to Valleylab, 10 ft., Disposable, sterile, 10/pkg4106.0330

HF connecting cable see page Lap 16.13

Grasping Forceps / Dissectors 5 mm

Richard Wolf "Grip" Line Modular System, monopolar

5

<i>Jaw insert</i>		<i>Sheath tube, insulated</i>			<i>Handle type</i>	Complete instrument • <i>Jaw insert</i> • <i>Sheath tube</i> • <i>Handle</i>
Instrument	Type	WL 240 mm	WL 310 mm	WL 430 mm	<i>without locking mechanism, rotatable</i>	
	 Scissors, curved left, "Metzenbaum", single jaw action	8392.015	●			●
8393.015			●		●	8393.0153
8394.015				●	●	8394.0153
 Scissors, straight, slender, both blades opening	8392.025	●			●	8392.0253
	8393.025		●		●	8393.0253
	8394.025			●	●	8394.0253
 Hooked scissors, serrated	8393.006		●		●	8393.0063
	8394.006			●	●	8394.0063
 Scissors, curved left, both blades opening	8393.014		●		●	8393.0143

HF connecting cables:




Wolf to Wolf, 10 ft., Reusable8106.132
 Wolf to Wolf, 10 ft., Disposable, sterile, 10 / pkg4106.1320

HF connecting cables:

Wolf to Valleylab, 10 ft., Reusable8106.033
 Wolf to Valleylab, 10 ft., Disposable, sterile, 10/pkg4106.0330

HF connecting cable see page Lap 16.13

Micro Scissors / Scissors 5 mm


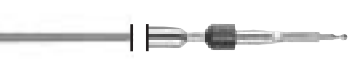


Handle with cleaning channel and extended finger spur		
Instrument	WL	Type
 <p>Micro scissors, single action blade</p>	310 mm	8382.02
 <p>Hooked scissors, single action blade</p>	320 mm	8383.45
 <p>Sawtooth scissors, straight, blunt, single action blade</p>	320 mm	8383.46

5



Scissors 10 mm

Richard Wolf "Grip" Line Modular System, without HF

5

<i>Jaw insert</i>		<i>Sheath tube, uninsulated</i>		<i>Handle type</i>	Complete instrument • <i>Jaw insert</i> • <i>Sheath tube</i> • <i>Handle</i>
					
		WL 310 mm		<i>without locking mechanism, rotatable</i>	
Instrument	Type	8395.901	8393.0001	Type	
	8395.005	•	•	8395.0051	
Scissors, distal tip curved left, both blades opening					



Scissors 10 mm

<p>Handle with extended finger spur</p> 		
Instrument	WL	Type
 <p>Serrated, operating scissors, single action</p>	335 mm	8385.11

5

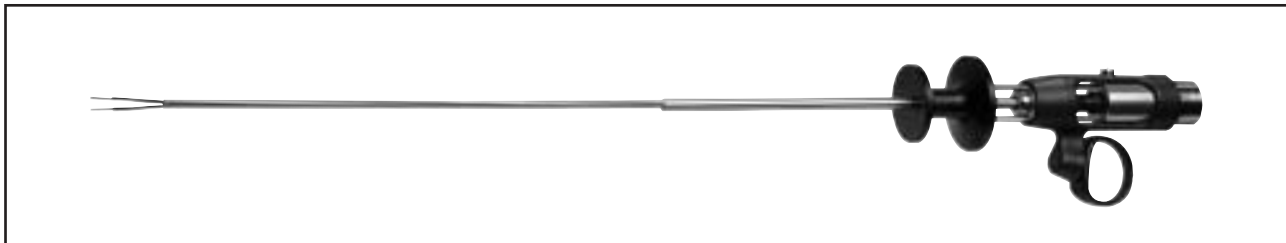
Choledochotome 10 mm

5

			
Instrument	WL	Outer Diameter	Type
 Choledochotome, rigid	330 mm	10 mm	8385.791

- Inserted through a 10 mm trocar sleeve
- Common bile duct incision created by advancing the integrated scalpel
- Accepts #15 replacement scalpel blades

Bipolar Forceps 3.5 mm with Sliding Handle, Modular System



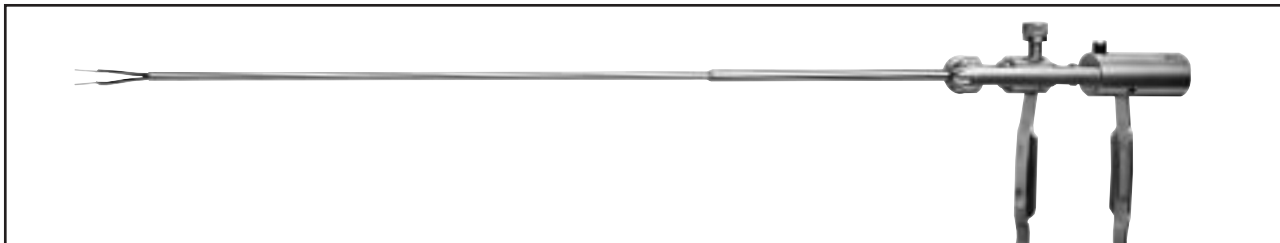
Tong insert		Outer tube		Roller handle with sleeve	Roller handle	Sliding handle	Complete instrument
Replacement Tongs	Type	WL 340 mm	WL 440 mm	8393.979	8393.977	8393.974	Type
	8391.715	•		•		•	8391.772
Bipolar forceps for ESDP*							
	8389.715		•	•		•	8389.772
Bipolar forceps for EVMS**							
	8391.726	•			•	•	8391.813
	8389.726		•		•	•	8389.813
Bipolar forceps for laparoscopy							

* Endoscopic Subfascial Dissection of Perforating Veins
** Endoscopic Vein Management System




- Replacement sealing cap, 12 / pkg88.03BK
- Replacement rinsing cap887.00
- Reusable bipolar connecting cable, 9.8 Ft. (3m)8108.031
- Single use, disposable bipolar connecting cable, 9.8 Ft. (3m)8108.011

Bipolar connecting cable table see page Lap 16.11

Bipolar Forceps 3.5 mm with Sliding Handle, Modular System



6

Tong insert		Outer tube		Screw-on cap with sleeve	Screw-on cap	Spring handle	Complete instrument	
Replacement Tongs		Type	WL 340 mm	WL 440 mm	8393.978	8393.976	8393.975	Type
	8391.715	•		•		•	8391.742	
Bipolar forceps for ESDP*								
	8389.715		•	•		•	8389.742	
Bipolar forceps for EVMS**								
	8391.726	•			•	•	8391.793	
	8389.726		•		•	•	8389.793	
Bipolar forceps for laparoscopy								





* Endoscopic Subfascial Dissection of Perforating Veins
** Endoscopic Vein Management System

- Replacement sealing cap, 12 / pkg88.03BK
- Replacement rinsing cap887.00
- Reusable bipolar connecting cable, 9.8 Ft. (3m)8108.031
- Single use, disposable bipolar connecting cable, 9.8 Ft. (3m)8108.011

Bipolar connecting cable table see page Lap 16.11

Bipolar Forceps 5 mm with Sliding Handle, Modular System



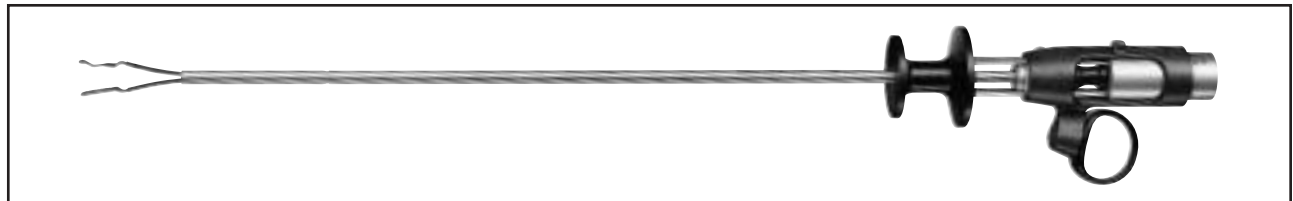
Tong insert		Sliding sleeve		Outer tube		Sliding handle	Complete instrument • Jaw insert • Sliding sleeve • Outer tube • Sliding handle
Replacement Tongs	Type	WL 300 mm	WL 450 mm	WL 300 mm	WL 450 mm	8393.974	
 Universal bipolar grasping forceps	8393.704	•		•		•	8393.761
	8394.704		•		•	•	8394.761
 Bipolar grasping forceps with teflon tooth	8393.705	•		•		•	8393.762
	8394.705		•		•	•	8394.762
 Bipolar grasping forceps, Kleppinger principle	8393.714	•		•		•	8393.771
	8394.714		•		•	•	8394.771
 Bipolar grasping forceps with long jaws	8393.724	•		•		•	8393.801
	8394.724		•		•	•	8394.801

- Replacement sealing cap, 12 / pkg88.03BK
- Replacement rinsing cap887.00
- Reusable bipolar connecting cable, 9.8 Ft. (3m)8108.031
- Single use, disposable bipolar connecting cable, 9.8 Ft. (3m)8108.011

Bipolar connecting cable table see page Lap 16.11

Bipolar Forceps 5 mm

with Sliding Handle, Modular System



Tong insert		Sliding sleeve		Outer tube		Sliding handle	Complete instrument • Jaw insert • Sliding sleeve • Outer tube • Sliding handle
		WL 320 mm	WL 450 mm	WL 320 mm	WL 450 mm		
Replacement Tongs	Type	8393.923	8394.923	8393.924	8394.924	8393.974	Type
	8393.725	•		•		•	8393.823
	8394.725		•		•	•	8394.823
	8393.726	•		•		•	8393.813
	8394.726		•		•	•	8394.813

- Replacement sealing cap, 12 / pkg88.03BK
- Replacement rinsing cap887.00
- Reusable bipolar connecting cable, 9.8 Ft. (3m)8108.031
- Single use, disposable bipolar connecting cable, 9.8 Ft. (3m)8108.011

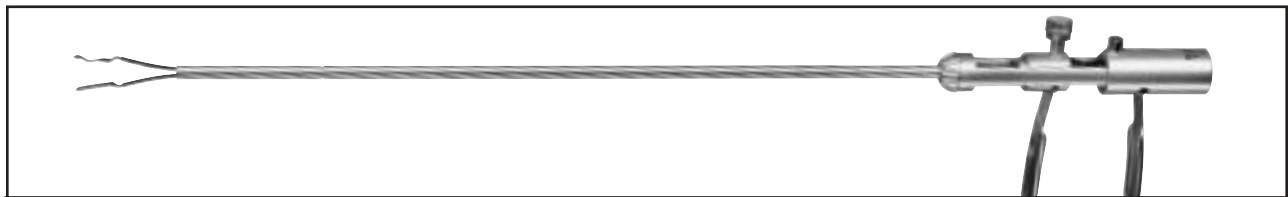
Bipolar connecting cable table see page Lap 16.11


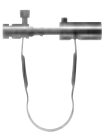




6

Bipolar Forceps 5 mm

with Sliding Handle, Modular System

Lap.Surgery



Tong insert		Sliding sleeve		Outer tube		Spring handle	Complete instrument • Jaw insert • Sliding sleeve • Outer tube • Spring handle
		WL 320 mm	WL 450 mm	WL 320 mm	WL 450 mm		
Replacement Tongs	Type	8393.923	8394.923	8393.925	8394.925	8393.975	Type
	8393.704	•		•		•	8393.731
	8394.704		•		•	•	8394.731
	8393.705	•		•		•	8393.732
	8394.705		•		•	•	8394.732
	8393.714	•		•		•	8393.741
	8394.714		•		•	•	8394.741
	8393.724	•		•		•	8393.781
	8394.724		•		•	•	8394.781

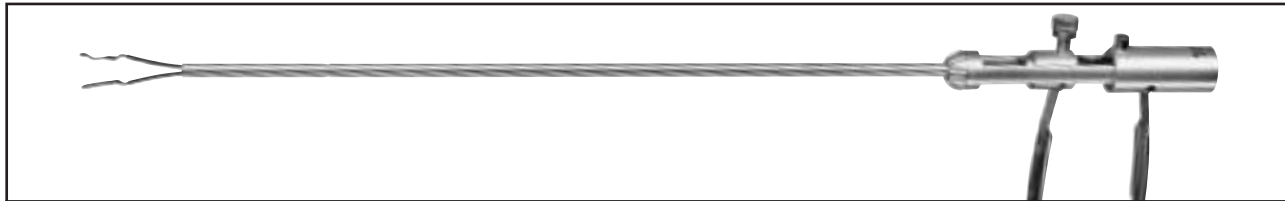
* Endoscopic Subfascial Dissection of Perforating Veins
 ** Endoscopic Vein Management System

Replacement sealing cap, 12 / pkg	88.03BK
Replacement rinsing cap	887.00
Reusable bipolar connecting cable, 9.8 Ft. (3m)	8108.031
Single use, disposable bipolar connecting cable, 9.8 Ft. (3m)	8108.011

Bipolar connecting cable table see page Lap 16.11

Bipolar Forceps 5 mm

with Sliding Handle, Modular System



6

Tong insert		Sliding sleeve		Outer tube		Spring handle	Complete instrument • Jaw insert • Sliding sleeve • Outer tube • Spring handle
		WL 320 mm	WL 450 mm	WL 320 mm	WL 450 mm		
Replacement Tongs	Type	8393.923	8394.923	8393.925	8394.925	8393.975	Type
 Bipolar coagulation forceps by Reich	8393.725	•		•		•	8393.803
	8394.725		•		•	•	8394.803
 Bipolar coagulation forceps	8393.726	•		•		•	8393.793
	8394.726		•		•	•	8394.793








* *Endoscopic Subfascial Dissection of Perforating Veins*
** *Endoscopic Vein Management System*

- Replacement sealing cap, 12 / pkg88.03BK
- Replacement rinsing cap887.00
- Reusable bipolar connecting cable, 9.8 Ft. (3m)8108.031
- Single use, disposable bipolar connecting cable, 9.8 Ft. (3m)8108.011

Bipolar connecting cable table see page Lap 16.11

Bipolar Forceps 5 mm

with Sliding Handle, Modular System

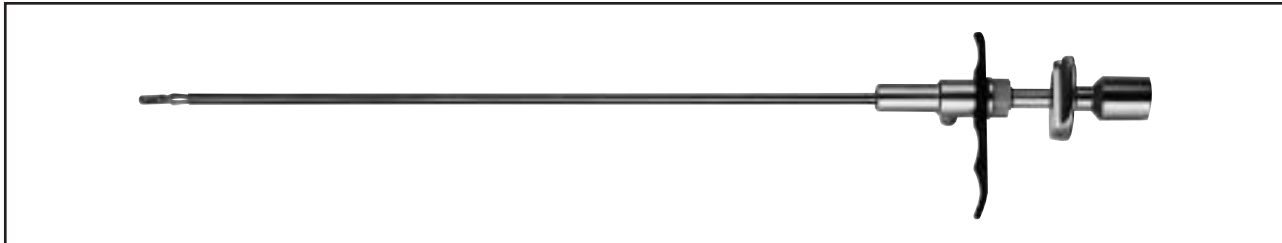
				
<i>Tong insert</i>	<i>Handle with thumb plate and outer tube</i>			Complete instrument • Jaw insert • Thumb plate with outer tube
				
	WL 290 mm	WL 410 mm		
Replacement Tongs	Type	8383.974	8384.974	Type
 Universal Bipolar grasping forceps	8393.704	●		8383.23
	8394.704		●	8384.23
 Bipolar grasping forceps with Teflon tooth	8393.705	●		8383.232
	8394.705		●	8384.232
 Bipolar grasping forceps, Kleppinger principle	8393.714	●		8383.233
	8394.714		●	8384.233
 Bipolar grasping forceps with long jaws	8393.724	●		8383.234
	8394.724		●	8384.234

Replacement sealing cap, 12 / pkg.....89.02BL
 Single use, disposable bipolar connecting cable, 9.8 Ft. (3m)8108.011
 Reusable bipolar connecting cable, 9.8 Ft. (3m)8108.031





Bipolar connecting cable table see page Lap 16.11

Bipolar Forceps 5 mm

with Sliding Handle, Modular System



6

<i>Tong insert</i> 	<i>Handle with thumb plate and outer tube</i> 		<i>Complete instrument</i> • Jaw insert • Thumb plate with outer tube	
Replacement Tongs	Type	WL 290 mm 8383.974	WL 410 mm 8384.974	Type
	8393.725	●		8383.236
	8394.725		●	8384.236
	8393.726	●		8383.235
	8394.726		●	8384.235

- Replacement sealing cap, 12 / pkg89.02BL
- Reusable bipolar connecting cable, 9.8 Ft. (3m)8108.031
- Single use, disposable bipolar connecting cable, 9.8 Ft. (3m)8108.011

Bipolar connecting cable table see page Lap 16.11

Kleppinger™ Bipolar Forceps 5 mm with scissor style forceps

<i>Tong insert</i> 		<i>Scissor Style Forcep Handle</i> 		Complete instrument • Jaw insert • Sliding sleeve • Outer tube • Spring handle
		WL 320 mm	WL 450 mm	
Replacement Tongs	Type	8383.210	8384.210	Type
	8393.704	•		8383.2101
	8394.704		•	8384.2101
Bipolar forceps, T-grasper				
	8393.705	•		8383.2102
	8394.705		•	8384.2102
Bipolar grasping forceps with Teflon tooth				
	8393.714	•		8383.2103
	8394.714		•	8384.2103
Bipolar grasping forceps, Kleppinger				
	8393.724	•		8383.2104
	8394.724		•	8384.2104
Bipolar forceps, tweezer				
	8393.725	•		8383.2105
	8394.725		•	8384.2105
Bipolar forceps, paddle by Reich				
	8393.726	•		8383.2106
	8394.726		•	8384.2106
Bipolar forceps, micro				

Reusable bipolar connecting cable, 9.8 ft.8108.031
 Single use, disposable bipolar connecting cable, 9.8 Ft. (3m)8108.011
 Sealing cap, 12 / pkg.88.04GR

Kleppinger™ Bipolar Forceps 5 mm with syringe style handle

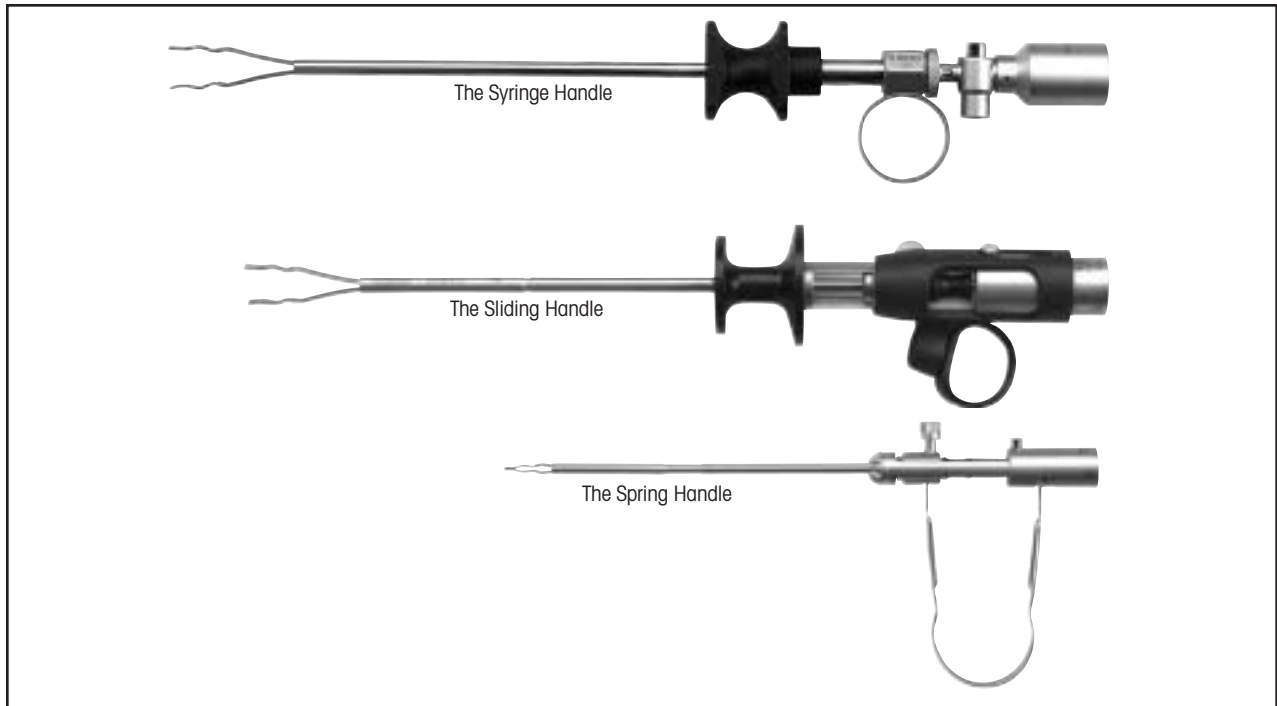


Tong insert		Syringe Style Handle		Complete instrument • Jaw insert • Sliding sleeve • Outer tube • Spring handle
Replacement Tongs	Type	WL 320 mm 8383.240	WL 450 mm 8384.240	
	8393.704	•		8383.2401
	8394.704		•	8384.2401
	8393.705	•		8383.2402
	8394.705		•	8384.2402
	8393.714	•		8383.2403
	8394.714		•	8384.2403
	8393.724	•		8383.2404
	8394.724		•	8384.2404
	8393.725	•		8383.2405
	8394.725		•	8384.2405
	8393.726	•		8383.2406
	8394.726		•	8384.2406

Reusable bipolar connecting cable, 9.8 ft.8108.031
Single-use, disposable bipolar connecting cable, 9.8 ft.8108.011






Sadler Bipolar Forceps

only 140 mm WL





6

- Shorter working length, only 140 mm WL
- Ideal for post partum tubal sterilization
- Easier handling for mini-laparotomy or C-section

Complete Instrument			
Instrument	 Syringe Handle	 Sliding Handle	 Spring Handle
 Kleppinger insert 8388.714	8388.241	8388.771	8388.741
 Universal insert 8388.704	8388.231	8388.761	8388.731

Reusable bipolar connecting cable, 9.8 fr.....8108.031
 Single-use, disposable bipolar connecting cable, 9.8fr8108.011


Bipolar Coagulation Suction Tubes 5 mm


			
Instrument	Working Length 320 mm	Working Length 450 mm	Type
	●		8383.29
Bipolar coagulation suction tube		●	8384.29

Reusable bipolar connecting cable, 9.8 fr.....8108.031
 Single-use, disposable bipolar connecting cable, 9.8fr8108.011

Electrodes 2 mm

Monopolar



Instrument	WL 400 mm	Type
 Coagulation button electrode	●	823.06




7

HF connecting cables:

- Wolf to Valleylab, 10 ft., Reusable815.033
- Wolf to Valleylab, 10 ft., Disposable, sterile, 10 / pkg415.0030





HF connecting cable see page Lap 16.13

Electrodes 3 mm monopolar

			
Instrument	Working Length 320 mm	Working Length 450 mm	Type
 Knife electrode	●		8379.41
		●	8380.41
 Button electrode	●		8379.40
		●	8380.40

7

Electrodes 3.5 mm monopolar

		
Instrument	Working Length 310 mm	Type
 Hook electrode	●	8379.452
 Button electrode	●	8379.462
 Needle electrode	●	8379.482


HF connecting cables:




Wolf to Wolf, 10 ft., Reusable8106.132
 Wolf to Wolf, 10 ft., Disposable, sterile, 10 / pkg4106.1320

HF connecting cables:


Wolf to Valleylab, 10 ft., Reusable8106.033
 Wolf to Valleylab, 10 ft., Disposable, sterile, 10 / pkg4106.0330


Monopolar Electrodes 5 mm



Instrument	Working Length 340 mm	Working Length 420 mm	Type
 <i>Hook electrode</i>	●		8383.423
		●	8384.423
 <i>Needle electrode</i>	●		8383.426
 <i>Spatula electrode</i>	●		8383.428

7



Instrument	Working Length 320 mm	Working Length 450 mm	Type
 <i>Button electrode</i>	●		8383.40
		●	8384.40




HF connecting cables:

Wolf to Wolf, 10 ft., Reusable8106.132
 Wolf to Wolf, 10 ft., Disposable, sterile, 10/pkg4106.1320

HF connecting cables:

Wolf to Valleylab, 10 ft., Reusable8106.033
 Wolf to Valleylab, 10 ft., Disposable, sterile, 10/pkg4106.0330

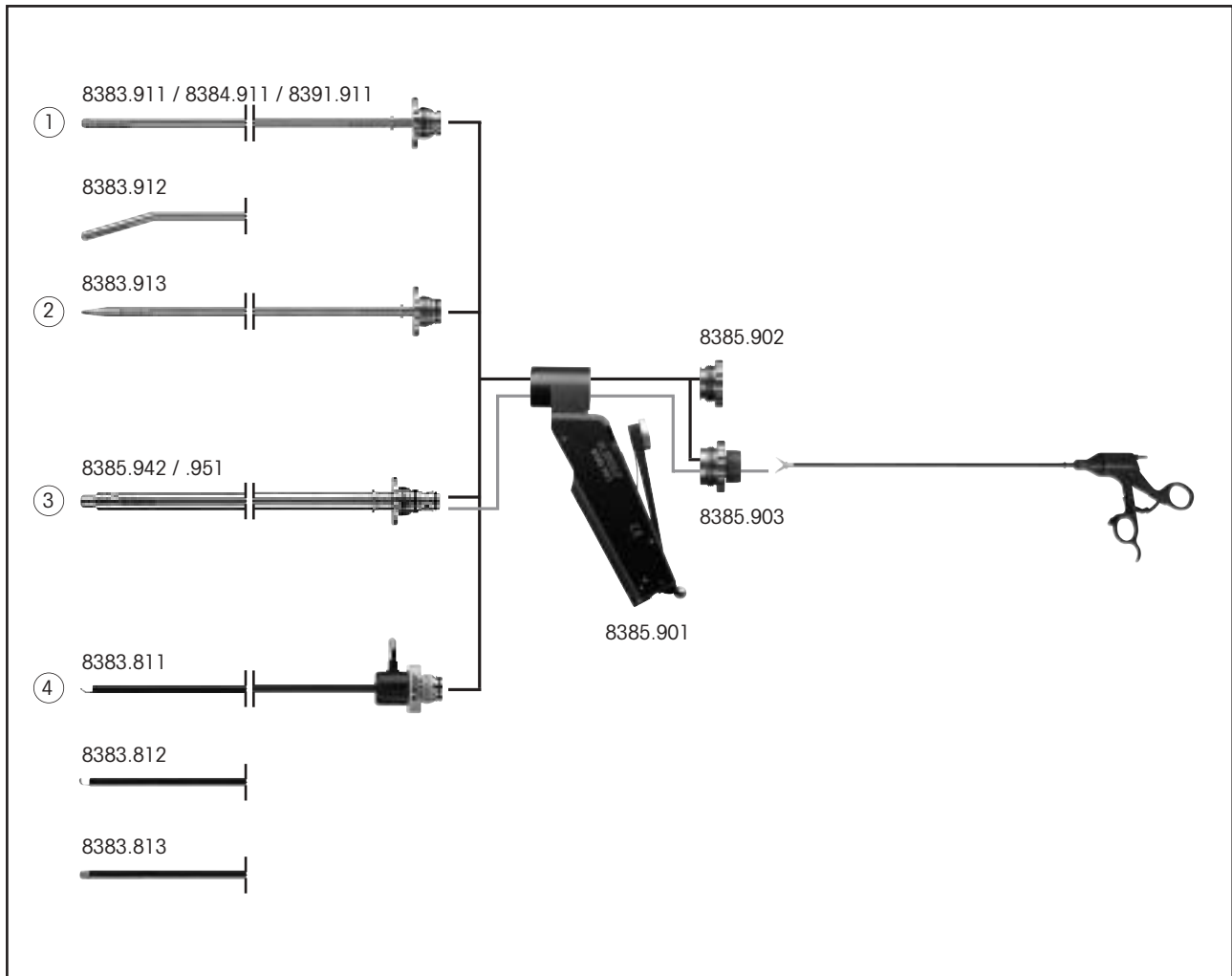
Bipolar Electrodes 5 mm

Instrument	WL 390 mm	Type
 Bipolar hook electrode	●	8383.102
 Bipolar needle electrode	●	8383.103
 Bipolar ball electrode	●	8383.104

Bipolar tweezers connecting cable see page Lap 16.11

Multifunction Suction-Irrigation System

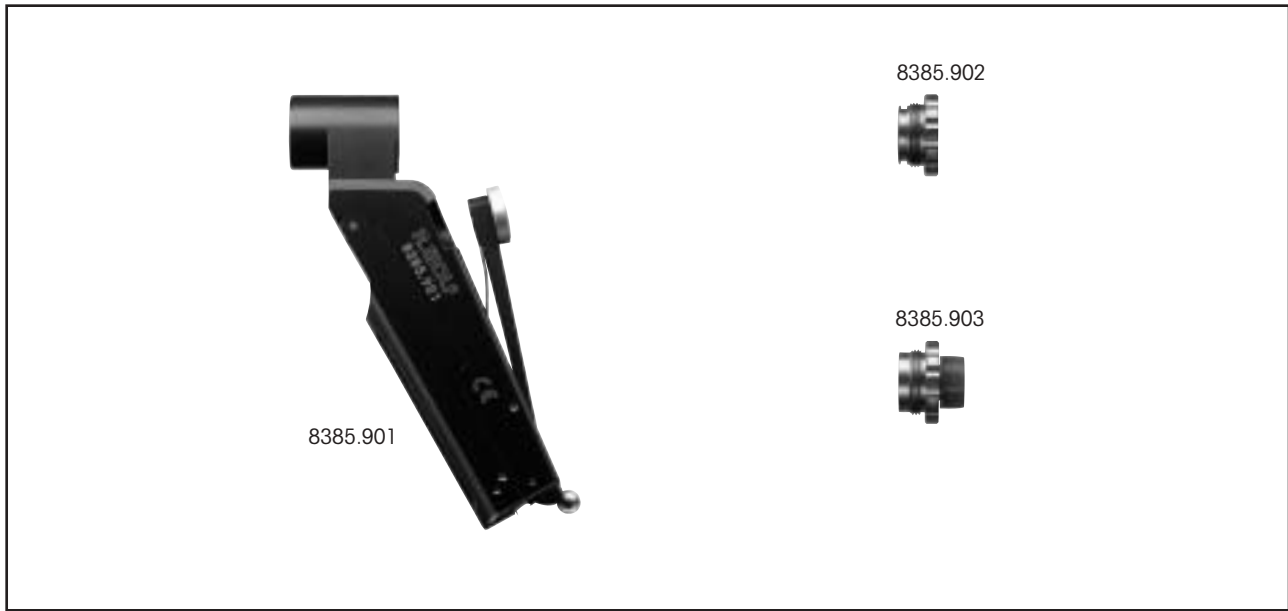
Possible Combinations



- 1 **Suction or irrigation:**
 Suction-irrigation8383.911, 8384.911, 8391.911
 Suction-irrigation tube, angled, (thoracoscopy)8383.912
 also: sealing cap8385.902
- 2 **Blunt aquadissection**
 Pressure irrigation tube8383.913
 also: sealing cap8385.902
- 3 **Suction, irrigation and use of
5 mm auxiliary instruments**
 Suction-irrigation tube8385.942/.951
 also: sealing adapter8385.903
- 4 **Tissue dissection with HF**
 HF spatula probe8383.811
 HF hooked probe8383.812
 HF button electrode8383.813
 also: sealing cap8385.902

Multifunction Suction-Irrigation System

Suction-Irrigation Handle



8

- Autoclavable
- Durable
- Low long-term costs
- Universal applications
- Interfaces for various attachments
- Large lumen for efficient irrigation and suction

Suction-irrigation handle8385.901

Sealing cap8385.902

Required to use 5 mm Ø auxiliary instruments:

**Sealing attachment with opening
and membrane valve**8385.903

Spare membrane valve8920.911

**Suction-irrigation tube set,
disposable, 10/pkg**4170.956

Multifunction Suction-Irrigation System

Suction-Irrigation Tube Set for pressurized Irrigation



For attaching the suction-irrigation handle to the endo irrigator and suction pump for pressurized irrigation

"Laparo pump" 2215*
110-120 V a.c., 60 Hz2215.002
Suction-irrigation tube set,
disposable, 10/pkg4170.225

Reusable tube set for attachment
to suction port on "Laparo pump" 2215, 1/pkg8170.401









Hydrophobic filter for use in
suction line, 1/pkg4171.121

Disposable tubing with hydrophobic filter
for attachment to suction port, 10/pkg4170.902

** for a complete listing of components/accessories for the "Laparopump" 2215, refer to page Lap 16.8*





Multifunction Suction-Irrigation System

Suction-Irrigation Tubes

Instrument	Ø	WL	Type
 Suction-irrigation-tube	3.5 mm	310 mm	8391.911
 Suction-irrigation-tube	5 mm	310 mm	8383.911
 Suction-irrigation-tube	5 mm	450 mm	8384.911
 Suction-irrigation-tube	5 mm	310 mm <i>Curved distal tip</i>	8383.912
 Irrigation tube for aquadissection	5 mm	310 mm	8383.913
 Suction-irrigation-tube	10 mm Ø <i>Capacity 5 mm</i>	225 mm	8385.942
 Suction-irrigation-tube	10 mm Ø <i>Capacity 5 mm</i>	310 mm	8385.951
<p><i>Required for 8385.931 / .951:</i> Sealing attachment with opening and membrane valve Spare membrane valve (8920.911)</p>			8385.903


Multifunction Suction-Irrigation System


HF Instruments, monopolar, with Suction and Irrigation Channel


Instrument	5 mm Ø	WL 310 mm	Type
 HF spatula probe	•	•	8383.811
 HF hook electrode	•	•	8383.812
 HF button electrode	•	•	8383.813
as an alternative to the suction irrigation handle: Irrigation attachment with two-way tap			8383.819


HF connecting cable see page Lap 16.13

Suction / Irrigation Tubes 3 mm with Luer lock connector



Instrument	Working Length 320 mm	Working Length 450 mm	Type
	●		8379.68
Graduated suction tube with Luer lock connector		●	8380.68



Instrument	Working Length	Type
	450 mm	8380.71
Coagulating suction tube, with Luer lock connector		


HF connecting cables:




- Wolf to Wolf, 10 ft., Reusable8106.132
- Wolf to Wolf, 10 ft., Disposable, sterile, 10 / pkg4106.1320

HF connecting cables:


- Wolf to Valleylab, 10 ft., Reusable8106.033
- Wolf to Valleylab, 10 ft., Disposable, sterile, 10 / pkg4106.0330


Suction / Irrigation Tubes 5 mm




Instrument	Working Length	Type
 Suction / irrigation tube with Luer lock connector (4 mm inner diameter) with distal openings	320 mm	8383.51
 Suction tube with Luer lock connector, (3 mm inner diameter)	330 mm	8383.72
 Suction and instillation tube, with Luer lock connector (3 mm inner diameter)	320 mm	8383.77
	450 mm	8384.77


8




Instrument	Working Length	Type
 Suction / Irrigation tube with Luer lock connector, graduated markings, valve, (3 mm inner diameter), distal openings	320 mm	8383.68
	450 mm	8384.68


Suction / Irrigation Tubes 5 mm





Instrument	Working Length	Type
	290 mm	8383.732
Suction / irrigation tube, with central and lateral, distal openings, two-way lever valve	410 mm	8384.732

8



Instrument	Working Length	Type
	300 mm	8383.94
Combination suction and irrigation tube, with finger valves, lateral, distal opening		



Instrument	Working Length	Type
	320 mm	8383.755
Combination suction and irrigation tube, with trumpet valves, lateral, distal opening		

Insertion sleeve
for simultaneous suction and irrigation8383.756


Insertion adapter
for 3 mm instruments8950.70



Proximal end-cap8852.90

Sealing cap for (8950.70), 12/pkg.89.01 RE

Coagulation / Suction Tubes 5 mm monopolar

with Luer lock connector and one valve



Instrument	Working Length 320 mm	Working Length 450 mm	Type
	●		8383.71
Coagulation / Suction tube, with trumpet valve, Luer lock connector, (3 mm inner diameter), lateral, distal openings		●	8384.71
	●		8383.73*
Coagulation / Suction tube, with stopcock valve, Luer lock connector (3 mm inner diameter), lateral, distal openings		●	8384.73*

HF connecting cable:

Wolf to Wolf, 10 ft, Reusable815.132

HF connecting cables:

Wolf to Valleylab, 10 ft., Reusable815.033

Wolf to Valleylab, 10 ft., Disposable, sterile, 10/pkg415.0030

***HF connecting cables:**

Wolf to Wolf, 10 ft., Reusable8106.132

Wolf to Wolf, 10 ft., Disposable, sterile, 10/pkg4106.1320

***HF connecting cables:**

Wolf to Valleylab, 10 ft., Reusable8106.033

Wolf to Valleylab, 10 ft., Disposable, sterile, 10/pkg4106.0330

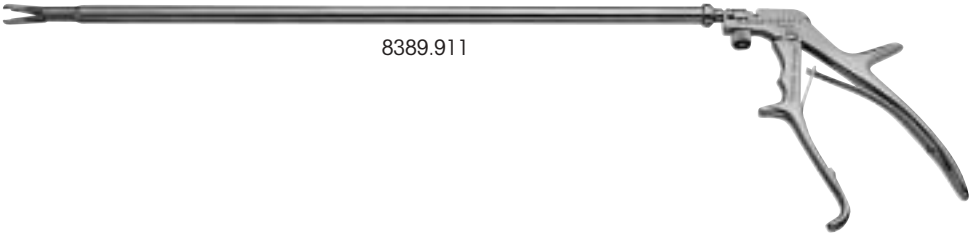


Tissue Retractors 5 mm and 7 mm

	8383.691	
	8243.701	
Instrument	Working Length	Type
<p>5mm tissue retractor, straight</p>	300 mm	8383.691
<p>7mm tissue retractor, curved</p>	300 mm	8243.701

Rinsing connector locking cap,

for Luer port, 3 mm887.00

Clip Applicator 10 mm

 <p style="text-align: center;">8389.911</p>		
Instrument	Working Length	Type
 <p>Clip applicator</p>	340 mm	8389.911
 <p>Introducing sleeve</p>	Introducing sleeve, with sealing cap (89.02BL)	8389.991

10



For clip ligation

using the Ethicon Ligaclip® *EXTRA LT 300*

Replacement sealing caps, pkg of 12, blue89.02BL

Ligaclip® is a Registered Trademark of Ethicon Endo-Surgery, Inc.

Needle Holder 3 mm and 5 mm

Spring-action handle			
(8383.521)			
(88.02 BL)			
(9008.049)			
(15 006.307)			
Instrument	Shaft diameter	Working Length	Type
 Needle holder, with sliding seal*, serrated, single action jaw	3 mm	320 mm	8383.52
 Needle holder, serrated, single action jaw	5 mm	320 mm	8383.53

* for use with applicator 8383.78, page Lap 11.2

Replacement spring, pkg of 1,
for needle holders (8383.52/53)15 006.307

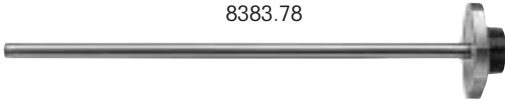
Replacement sliding seal housing,
for needle holders (8383.52/53)8383.521

Replacement thumb screw, pkg of 1,
for handle assembly9008.049

Replacement sealing caps, pkg of 12,
for needle holders (8383.52/53), blue88.02 BL

Rinsing connector locking cap,
for Luer port, 3 mm887.00

Applicator / Ligature Loops 5 mm for endoscopic suturing






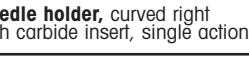



		
Instrument	Working Length	Type
Applicator, with sealing cap*	155 mm	8383.78

*For ligature loops or for introducing a suture with the 3 mm needle holder

Replacement sealing caps, pkg of 12, blue89.02BL

Modular Needle Holders, 3.5mm / 5mm / 10mm

Richard Wolf "Grip" Line Modular System

Inner section with sheath tube and irrigation tap					Handle Type	Complete instrument • Jaw insert • Sheath tube • Handle
Instrument	Type	∅	WL 310mm	WL 430mm	axial handle	
					8393.941	Type
 Needle holder , straight with carbide insert, single action	8391.504	3.5mm	•		•	8391.501
 Needle holder , straight, serrated, single action	8393.504	5mm	•		•	8393.501
 Needle holder , straight with carbide insert, single action	8393.505	5mm	•		•	8393.502
 Needle holder , curved right with carbide insert, single action	8393.514	5mm	•		•	8393.511
 Needle holder , curved right with carbide insert, single action	8394.514	5mm		•	•	8394.511
 Multifunction needle holder by Sarbu* single action	8393.506	5mm	•		•	8393.503
 Multifunction needle holder by Sarbu* single action	8394.506	5mm		•	•	8394.503
 Needle holder , straight with carbide insert, single action	8395.524	10mm	•		•	8395.521





*with automatic needle alignment mechanism and cutting edge

- Modular needle holder with carbide insert suitable for straight and curved needles
- Axially aligned handle 8393.941 can be used with the inserts of the Richard Wolf "Grip" Line Modular System



Rinsing connector locking cap
for Luer port, 3 mm.....887.00

Modular Knot Pusher, for Extracorporeal Suturing, 5 mm

Richard Wolf "Grip" Line Modular System



Jaw insert		Sheath tube		Handle type	Complete instrument <ul style="list-style-type: none"> • Jaw insert • Sheath tube • Handle
					
		WL 310mm		without ratchet, rotatable, no HF	
Instrument	Type	8393.901	8393.0001	Type	
	8393.344	●	●		8393.3441
Knot pusher, both jaws opening, with distal fork, double action					

Knot Pushers 5 mm for endoscopic suturing

Instrument	Working Length	Type
 Knot pusher, for intra-abdominal knots	320 mm	8383.55
 Knot pusher, for extracorporeal knots*	320 mm	8383.551*


*for use with applicator 8383.78, page Lap 11.2



Needle Holder 5 mm

<i>Axially aligned handle with locking mechanism</i>		
Instrument	WL 320 mm	Type
 Needle holder, straight by Messroghli	●	8383.533
 Needle holder, curved right by Messroghli	●	8383.534


11


Cannulas 2 mm for laparoscopic Microsurgery



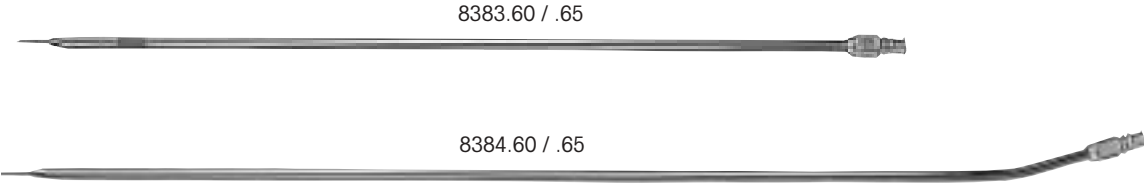



Instrument	Ø	WL 240 mm	Type
 <i>Injection and aspiration cannula</i>	1.4 / 2.0 mm	●	8309.241
 <i>Liver biopsy cannula</i>	1.6 / 2.0 mm	●	8309.261

Cannulas 3.5 mm with Luer lock connector



Instrument	Working Length	Type
 <i>Aspiration / injection needle</i>	310 mm	8379.732



Cannulas 5 mm with Luer lock connector

				
Instrument	Tip Diameter	Working Length 345 mm	Working Length 450 mm	Type
 Injection and puncture cannula with Luer lock connector (3 mm inner diameter)	0.7 mm (22 G)	●		8383.60
			●	8384.60
 Injection cannula with Luer lock connector (3 mm inner diameter)	1.8 mm (15 G)	●		8383.65
			●	8384.65
 Insertion sleeve Prevents the tip of the cannula from damage when opening the valve of the trocar sleeve.		—		8383.00



12

Cannulas 5 mm

with suction control and luer lock connector



Instrument	Working Length	Type
 <p>Puncture cannula with suction control and 4 mm Luer lock connector (3 mm inner diameter)</p>	<p>315 mm</p>	<p>8383.49</p>
 <p>Insertion sleeve Prevents the tip of the cannula from damage when opening the valve of the trocar sleeve.</p>	<p>—</p>	<p>8383.00</p>

Probes 3 mm


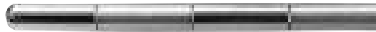

			
Instrument	Working Length 320 mm	Working Length 450 mm	Type
	●		8379.66
Probe, graduated: (cm) for palpation and measurement		●	8380.66

12

Probes 3.5 mm

		
Instrument	Working Length 310 mm	Type
	●	8379.672
Probe, graduated (cm) for palpation and measurement		


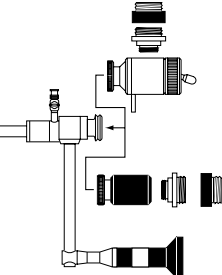
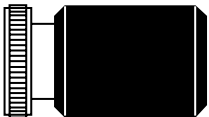

Probes 5 mm

Instrument	Working Length 320 mm	Working Length 450 mm	Type
 Probe, graduated (cm) for palpation and measurement		●	8384.66
 Probe solid with centimeter markings	●		8383.661
 Probe solid* titanium (grey matte finish), with centimeter markings	●		8384.661
			8383.662
		●	8384.662

*For use with lasers


Couplers

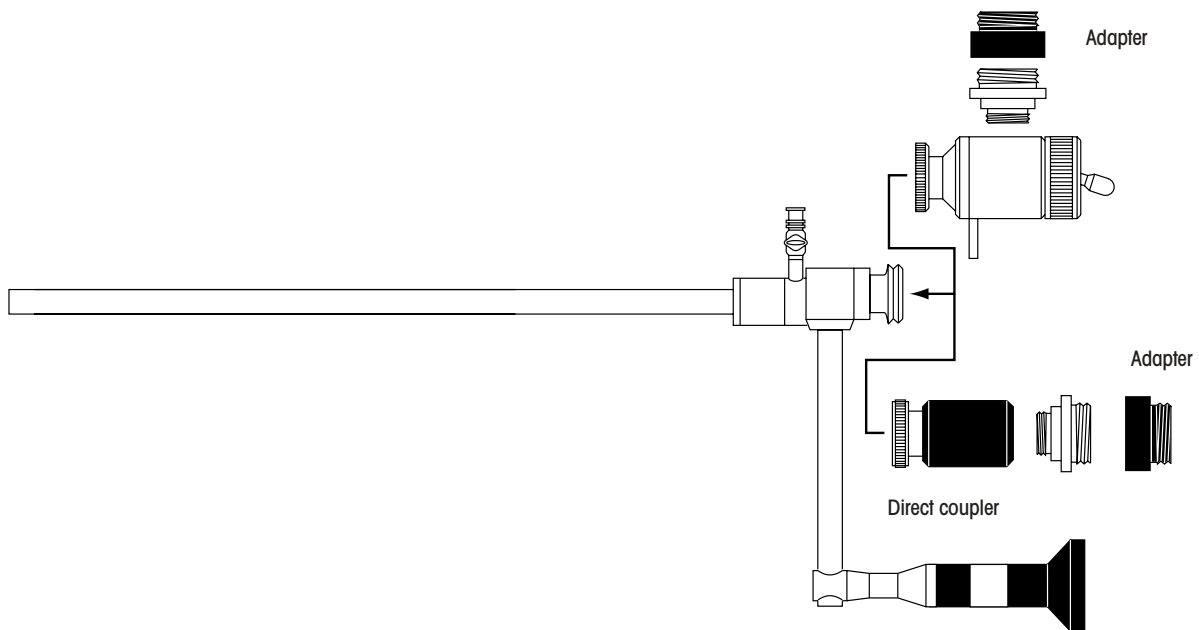
for laparoscopic CO₂ laser treatment

		Type
	<p>CO₂ laser coupler including moisture window (751.005)</p>	<p>751.00</p>
	<p>Lens C f = 415 mm use with operating laparoscope</p>	<p>751.41</p>
	<p>Direct coupling device use with 751.30 and 751.41</p>	<p>8751.DR</p>
	<p>Replacement moisture window, pkg of 3</p>	<p>7500.053</p>

Adapters

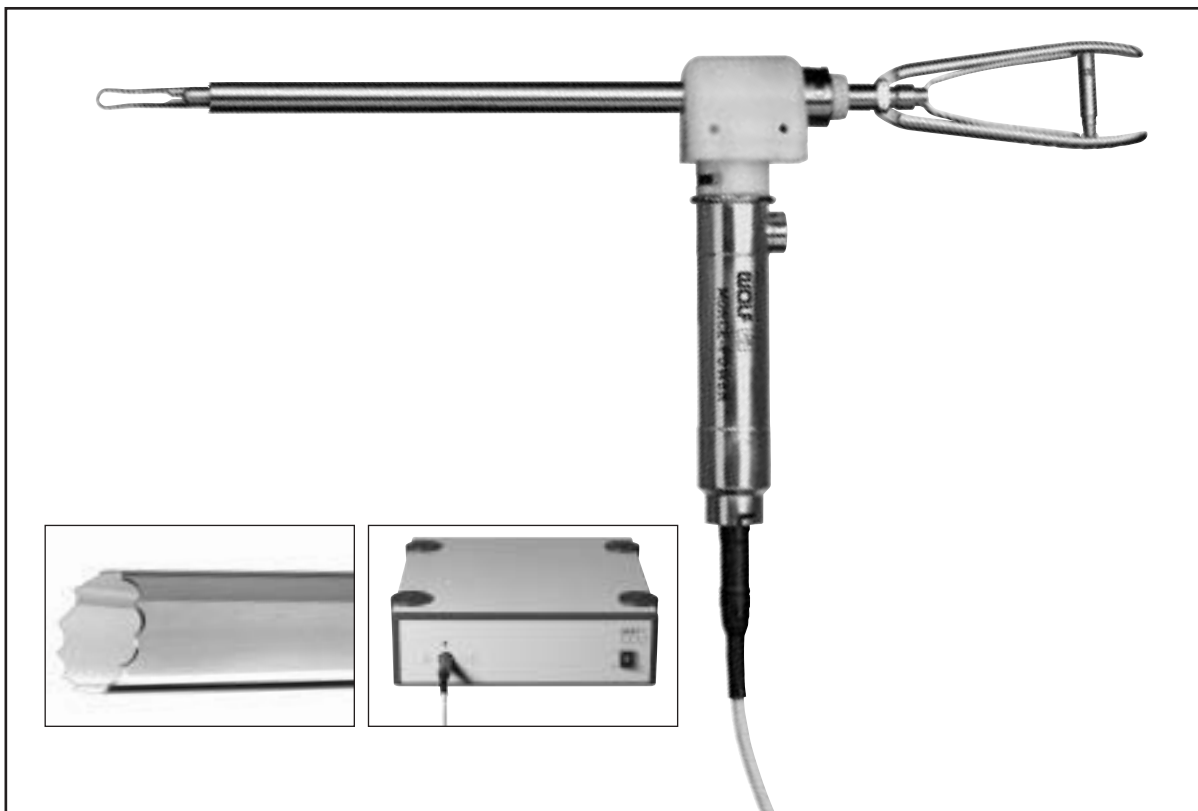
fits between focal lens and laser arm

<p>Adapters for CO₂ laser systems</p> 	Sharplan/Surgilase	8751.901
	Xanar	8751.902
	Coherent	8751.904
	Cooper	8751.905
	Lasersonics	8751.913



Electronic Morcellator 2306

Ideal for larger tissue masses



- Quick and efficient removal of larger tissue masses
- Autoclavable
- Serrated technology for efficient morcellation

Technical Data:	
Power supply	100-240 V a.c.
Power consumption	110 VA
Dimensions (W x H x D)	12.8" x 4" x 14"
Drive unit weight	6 lbs.
Motorized handle weight	1.3 lbs.

Morce-Power 2306

Includes:

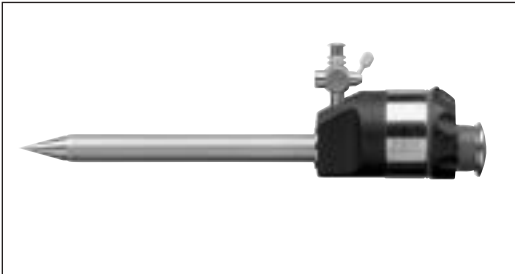
- Drive unit (2306.101),
- motorized handle (8386.301),
- protective end caps for sterilization (8386.391),
- angular gear head (8386.302),
- motorized handle detachable power cord (8386.305),
- and power cable (N710154)2306.001

Morcellator requires one or more of the following (not included):

- 10 mm Morcellator tube8386.311
- 15 mm Morcellator tube8386.315

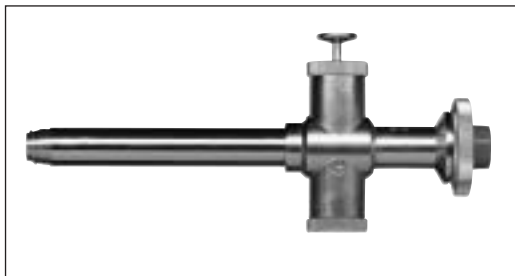
Electronic Morcellator 2306 Accessories for laparoscopic morcellation

10 mm Trocar Sleeve



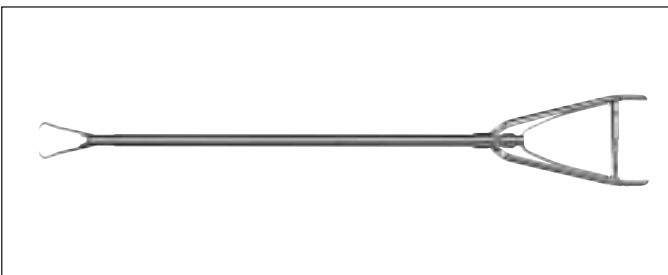
- 10 mm RIWO-ART trocar sleeve,**
with stopcock, 100 mm WL8923.014
Trocar, pyramidal tip8923.123
Trocar, sharp conical tip8923.113

Dilation & Extraction Instruments



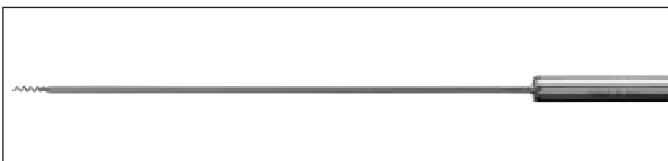
- 15 mm Trocar sleeve,**
with trumpet valve, 95 mm WL8943.011
10 mm Guide rod, 510 mm WL.....8943.901
Dilation and guide sleeve, for 8943.0118943.911

Grasping Forceps



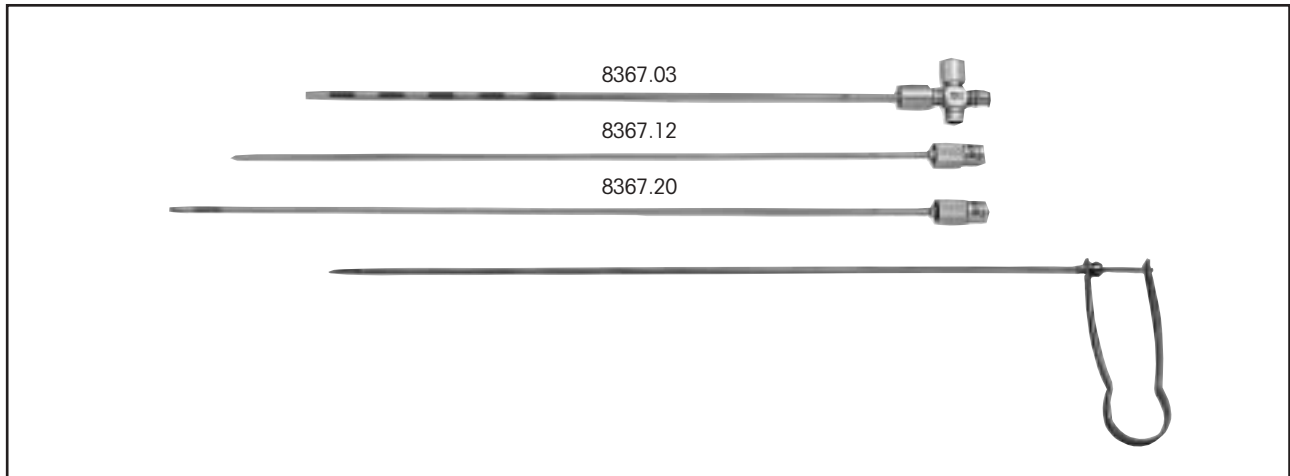
- Claw grasping forceps,**
10 mm \varnothing , 340 mm WL8385.181

Myoma Screws



- Myoma screw,** 5 mm \varnothing 8383.611
Myoma screw, 10 mm \varnothing 8385.301

Frangenheim Set 2.5 mm



For introduction, palpation, and grasping.

Trocar sleeve, 2.5 mm \varnothing

graduated, with stop cock and

Luer lock connector8367.03

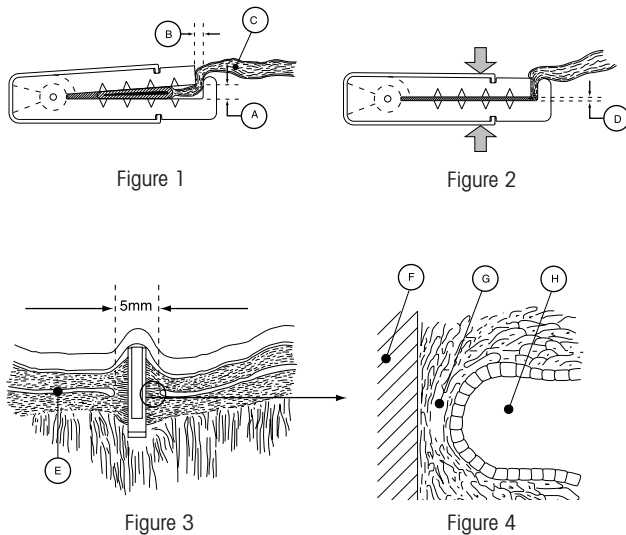
Trocar,

with pyramidal tip, lockable8367.12

Probe8367.20

How does the clip work?

The Hulka Clip incorporates two features in its design to reduce trauma to tissue during application. First, when the clip is initially applied, **(Figure 1)**, it is designed to *gradually* compress the tube. Full occlusion of the tubal lumen is achieved over 24 – 48 hours **(Figure 2)**. Second, a 1mm space at the end of the upper jaw **(Figure 1,B)** allows room for the mesosalpinx, preventing tearing and bleeding.



Legend

- A - Tissue between jaws at application gradually closes
- B - 1mm space at end of upper jaw
- C - Mesosalpinx
- D - Tubal lumen 24 – 48 hours after 1 application
- E - Lumen
- F - Hulka Clip
- G - Scar
- H - Healed lumen forms blind pouch

Approximately six weeks post-op, epithelialization and healing are complete. **(Figures 3 and 4)**. The scarred endosalpinx forms a pouch-like seal **(Figure 4,H)** on both sides of the clip, completely occluding the tubal lumen. Over the next 4 – 6 weeks the clip is covered by peritoneal tissue that grows over it from the adjacent edges of viable tube.


Key features:


- ❑ The Hulka Clip spring delivers pressure equal to two times normal arterial pressure which ensures complete occlusion and keeps the clip in place.
- ❑ The Hulka Clip compresses the tube gradually over 24 – 48 hours to avoid transection and bleeding.
- ❑ The Hulka Clip jaws are lined with a system of small teeth that stabilize the tube and prevent slippage during and after application.
- ❑ A 1mm space at the end of the upper jaw prevents tearing and bleeding of the mesosalpinx.
- ❑ The Hulka Clip occludes 4 – 5mm of fallopian tube, increasing the likelihood of success should reversal be desired.
- ❑ Because the Hulka Clip utilizes minimal tube lengths, patients experience less post-operative discomfort than those sterilized with other mechanical methods.

Hulka Clip Applicator 7 mm

gradual occlusion using minimal tubal length

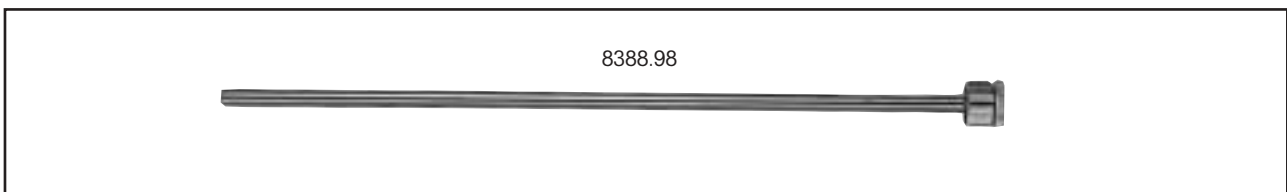
For tubal sterilization



Instrument	Working Length 300 mm	Working Length 440 mm	Type
	●		8387.84
Hulka clip applicator		●	8388.84


Hulka clips,
box of 10 pairs, sterile.....4986.09



Reducer for 8388.84



Reducing sleeve8388.98
To allow use of the 7 mm Hulka clip applicator (8388.84) in the 8 mm working channel of the operating telescope (8914.402).

Myoma Screw 5 mm and 10 mm



Instrument	Working Length	Type
 Myoma screw, rigid, 5 mm	320 mm	8383.611
 Myoma screw, rigid, 10 mm	320 mm	8385.301

Vaginal Delineator by Reich

for total laparoscopic hysterectomy or LAVH

		8983.011	8983.111
Instrument	Diameter	Working Length	Part Number
	45 mm	240 mm	8983.011
Vaginal delineator by Reich			
	40 mm	300 mm	8983.111
Obturator			
Instrument port with bayonet lock inner diameter 2x10 mm. Sealing cap 89.08RE and sealing cap with hole 89.21RE			8983.201

The vaginal delineator serves to form a seal around and to demarcate the cervix.

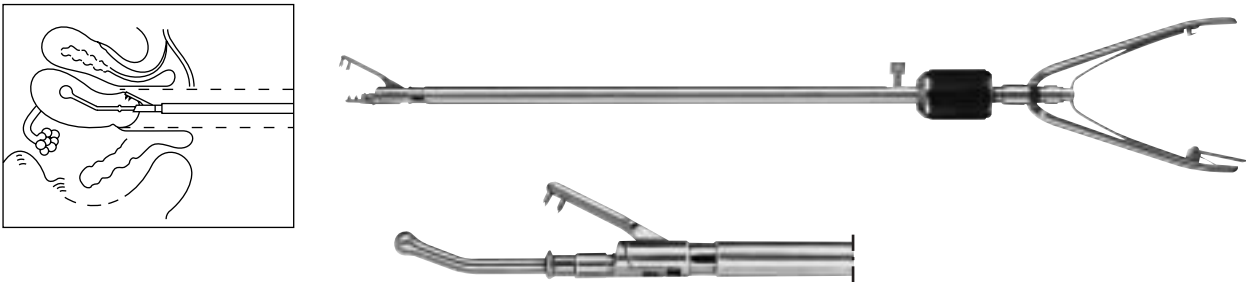
The impression of the tip of the vaginal delineator is visible in the pelvis during a total laparoscopic hysterectomy or laparoscopically assisted vaginal hysterectomy, thereby serving as a guide and providing support during dissection.





There is a visible alignment indicator on the outside of the vaginal delineator which aids in its placement inside the vagina.

During dissection and opening of the posterior fornix, the vaginal delineator provides a seal that maintains the pneumoperitoneum. This also permits laparoscopic closure of the vaginal cuff.

Uterine Manipulator 12 mm

for total laparoscopic hysterectomy or LAVH





Instrument	Working Length	Type
 Uterus manipulator , includes probe tips, 8370.511, 8370.512 and 8370.513	300 mm	8370.501
 Probe tip , short, bulb 7.5 mm	45 mm	8370.511
 Probe tip , medium, bulb 7.5 mm	65 mm	8370.512
 Probe tip , large, bulb 10 mm	85 mm	8370.513

The uterine manipulator has a moveable insertion probe (short, medium, long) and a locking mechanism that makes it possible to manipulate and fix the uterus in a variety of positions. The uterine manipulator is used in combination with the vaginal delineator by Reich (8983.011)

Tenaculum Grasping Forceps

for myomectomy or LAVH

Axially aligned handle with locking mechanism		
		
Instrument	Working Length	Type
 Tenaculum grasping forceps, 10 mm, dual action jaws	300 mm	8385.181

For grasping fibroids or uterine tissue for morcellation

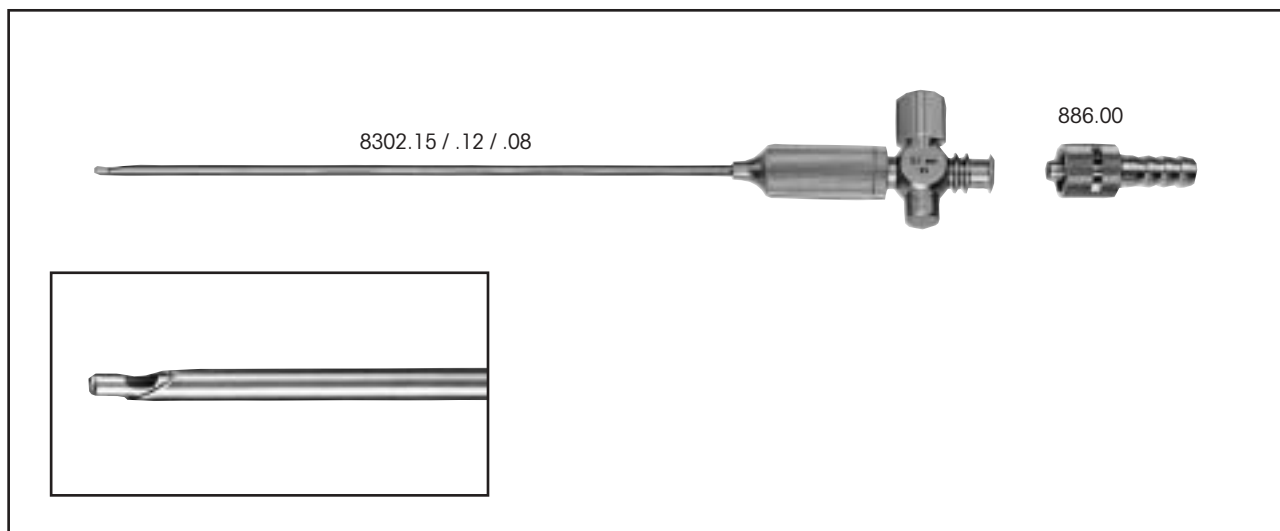
Trocar sleeve, 15 mm.....8943.011

Guide rod, 10 mm8943.901

Dilation and guide sleeve, 10 Ø15 mm8943.911

Verres Needles

for establishing the pneumoperitoneum



Verres Needles,

including detachable Luer lock connector (886.00),

150 mm working length.....	8302.15
120 mm working length (standard length)	8302.12
80 mm working length.....	8302.08

High-Flow 30L CO₂ Insufflator 2232



- ❑ High-flow insulation up to 30 l/min
- ❑ Functional and user-friendly design
- ❑ Visual and audio warning signals
- ❑ Smaller profile saves space

30 L/min Insufflator

System includes:

High-flow insufflation tube set with 0.2 micron hygienic filter and power cable2232.601*

30 L/min Insufflator 2232 with video display

System includes:

High-flow insufflation tube set with 0.2 micron hygienic filter, BNC cable, and power cable2232.611 *

Model numbers	2232.601 / 2232.611
Voltage requirements	100 - 230 V
Frequency	50 / 60 Hz
Power consumption	80 VA
Current rating	0.8 A
Fuse	T 2.0A 250V
Electromagnetic compatibility	EN 60601-1-2 / IEC 601-1-2
Medical products directive 93/42/EEC	Class II b
Group in acc. With MedGV	3
Classification	BF
Protection class in acc. With EN 60601-1 IEC 601-1 (UL 2601-1 / CSA C22.2 No. 601.1 - for USA)	I
Weight	9.5 Kg (20.9 lbs.)
Dimensions	330 mm x 155 mm x 390 mm

Single-use high-flow tube set
with 0.2 micron filter, pkg of 10.....4170.512

Reusable high-flow tube set
for use with high-flow RIWO ART trocars8170.232

Single-use high-flow filter
0.2 micron filter for reusable high-flow tube set, pkg of 10 ..4171.111

Universal tube set adapter.....886.231

CO₂ high pressure hose2026.62

CO₂ yoke2026.64

CO₂ high pressure hose, yoke, and manometer2026.631

High-flow RIWO ART trocar sleeve for 10 mm instruments
12.5 mm ø, 100 mm WL8924.042

High-flow RIWO ART trocar sleeve for 5 mm instruments
10 mm ø, 100 mm WL.....8923.042

Trocar for high-flow RIWO ART trocar sleeve
blunt conical, 12.5 mm ø, 100 mm WL8924.103

blunt conical, 10 mm ø, 100 mm WL8923.103

conical, 12.5 mm ø, 100 mm WL8924.113

conical, 10 mm ø, 100 mm WL8923.113

pyramidal, 12.5 mm ø, 100 mm WL8924.123

pyramidal, 10 mm ø, 100 mm WL8923.123

Vario port reducer
12.5 mm - 10 mm trocar sleeve8924.802

10 mm - 5.5 mm trocar sleeve8923.802

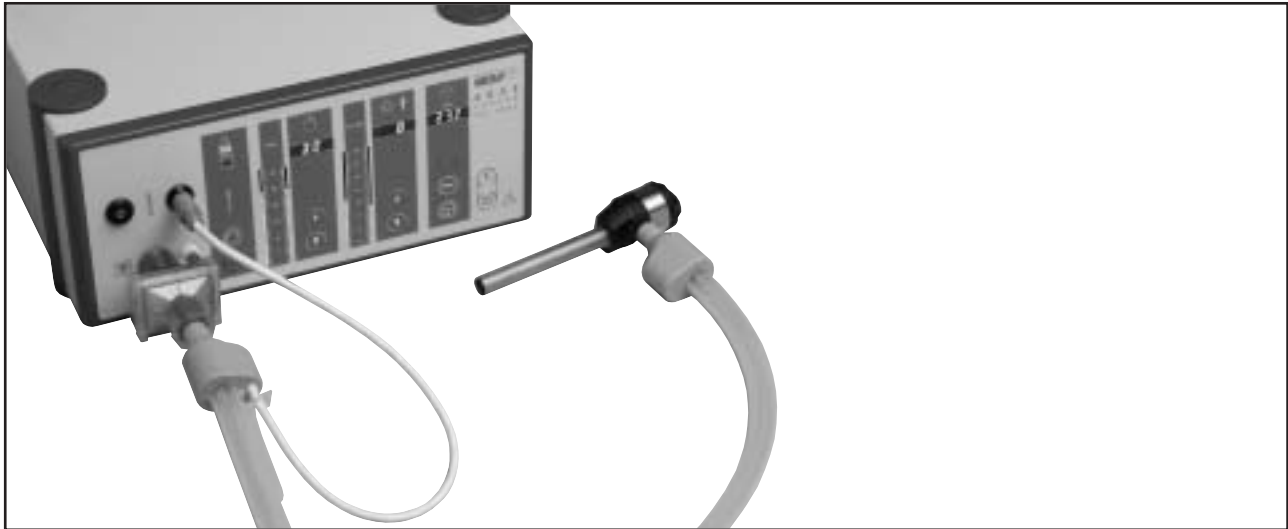
S-video cable5363.17

BNC cable5352.56

* Included with Insufflator: power cord (N710154), CO₂ hose and yoke (2026.631), I box of disposable insufflation tubing (4170.512).

Laparo CO₂ - Pneu 2232

with Electronic Circuits for Gas Warming



- ❑ High-flow insufflation up to 30 l/min
- ❑ Gas warmed to body temperature
- ❑ High degree of safety during laparoscopic surgery
- ❑ Functional and user-friendly design

30L / min Insufflator with electronic circuits for gas warming

including:

High-flow insufflation tube with heating element, 3 m long, autoclavable (8170.201) and *items listed below2232.621

30L / min Insufflator

with electronic circuits for gas warming and video display

including:

High-flow insufflation tube with heating element, 3 m long, autoclavable (8170.201), and

*items listed below2232.631

Included with insufflator

Insufflation tube, 5 mm ø, 2.5 m long (8170.201), hygiene filter sterile pack of 10 (4171.111), power cable (N710154) Co2 H.P. hose (2026.62), Co2 yoke (2062.64), tube sets (4170.512)

Single-use high-flow tube set

with 0.2 micron filter, pkg of 10.....4170.512

Reusable high-flow tube set

for use with high-flow RIWO ART trocars8170.232

Single-use high-flow filter

0.2 micron filter for reusable high-flow tube set,

pkg of 104171.111

Universal tube set adapter.....886.231

CO₂ high pressure hose2026.62

CO₂ yoke2026.64

CO₂ high pressure hose, yoke, and

manometer2026.631

High-flow RIWO ART trocar sleeve for 10 mm instruments

12.5 mm ø, 100 mm WL8924.042

High-flow RIWO ART trocar sleeve for 5 mm instruments

10 mm ø, 100 mm WL.....8923.042

Trocar for high-flow RIWO ART trocar sleeve

blunt conical, 12.5 mm ø, 100 mm WL8924.103

blunt conical, 10 mm ø, 100 mm WL8923.103

conical, 12.5 mm ø, 100 mm WL8924.113

conical, 10 mm ø, 100 mm WL8923.113

pyramidal, 12.5 mm ø, 100 mm WL8924.123

pyramidal, 10 mm ø, 100 mm WL8923.123

Vario port reducer

12.5 mm - 10 mm trocar sleeve8924.802

10 mm - 5.5 mm trocar sleeve8923.802

S-video cable5363.17

BNC cable5352.56

High-Flow Insufflator

Technical Data

Protection class complying with VDE 0750 / IEC 601	1
Electromagnetic compatibility (EMC) according to EN 60601-1-2	Class B
Classification	CF
EU Classification	2 a
Operating conditions	+10°C to + 40°C, 30% to 75% rel. humidity
Storage and transportation conditions	-20°C to + 60°C, 10% to 90% rel. humidity
Weight	2232.601/.611: ca. / approx. 9.5 kg 2232.621/.631: ca. / approx. 11.5 kg
Dimensions (W x H x D)	330 mm x 155 mm x 390 mm
Voltage	100 - 230 V~ / a.c.
Frequency	50/60 Hz
Power consumption	2232.601 / .611: max. 80 VA 2232.621 / .631: max. 150 VA
Fuse	T2.0 L (s.b.)

Relevant application parameters:

Insufflation medium	CO ₂
Preselection of intra-abdominal pressure	3 - 25 mm Hg, preselectable in 1 mm Hg steps
Gas flow rate - primary filling - high flow	1 l/min. 1 l/min. - 30 l/min., preselectable in 1 l/min. steps

Bipolar Generator 2352 with integrated ammeter



- ❑ Automatically delivers the lowest power required to achieve thorough coagulation of tissue.
- ❑ Utilizes **cutting** wave form to ensure precise, thorough coagulation of tissue with minimal adherence to forceps
- ❑ Microprocessor control of all functions and safety systems
- ❑ Precise pre-selection of power limit from 1 - 50 watts
- ❑ Acoustic and optical signal when the generator is activated
- ❑ Proprietary acoustic and optical ammeter assists in determining the endpoint to coagulation
 - **acoustic**
the signal varies between 500 Hz and 150 Hz depending on the HF current flow
 - **optical**
LED bar display of HF current flow
- ❑ Continuity test of the generator, cable and instrument system can be performed prior to procedure by closing the jaws of the forceps and activating the foot switch
- ❑ All basic settings such as power, activation time and acoustic volume can be individually programmed and saved

Bipolar generator

includes foot switch (2030.103)

and 8 ft. power cord2352.011

Bipolar Generator 2352

Technical Data

Safety class complying with	VDE 0750 / IEC 601-1 / UL Listed
Interference suppression complying with DIN VDE 0871	B
Classification	CF
Group complying with § 2 MedGV	1
Operating temperature	+ 50° F to + 104° F
Power input VA standby max.	5 130
Current input A standby max.	0.03 0.6
Fuse	s.b. 0.63
Weight	5 11.1 lb
Dimensions (w x h x d)	12.8" x 4.8" x 10.2"
Bipolar coagulation	
Type of HF voltage	unmodulated, sine wave alternating voltage (pure cutting current)
Rated frequency of HF voltage	350 kHz
Peak value of HF voltage	max. 190 V (idling)
Rated HF power	50 W at 75 %
HF power limitation (PHF max.)	from 1 W to 50 W in steps of 1 W
Setting the HF power limitation	with up/down push-button or test program 1 for basic setting
Display of HF power limitation	7-segment display, 2-digit
Accuracy of HF power limitation	+/- 20%
Activation of coagulation	by foot switch
HF output socket	1, Martin type
Acoustic display of HF current	150 Hz - 500 Hz acoustic frequency

Laparopump 2215

Technical Data



- ❑ *Effective irrigation and aspiration of fluids during laparoscopic, minimally invasive surgery*
- ❑ *Simple handling and straightforward unit design*
- ❑ *Optimum irrigation and aspiration performance*
- ❑ *Compatible with suction-irrigation instruments with integrated valves, particularly suitable for modular suction/irrigation handles from R. Wolf*
- ❑ *Extremely safe due to intelligent pressure management controls*
- ❑ *Simple attachment to irrigator for either I.V. stands or video carts*

"Laparo Pump" 2215

110-120V; 60 Hz2215.002

Other voltages on request.

Including:

Holder for irrigation stand (2215.991) and power cord.

Laparopump 2215

Technical Data

<i>Classification</i>	<i>Protection class 1, type BF, IP41</i>
<i>Power supply</i>	<i>110-120V; 60 Hz</i>
<i>Power consumption</i>	<i>55 VA</i>
<i>Dimensions (W x H x D)</i>	<i>143 x 317 x 170 mm</i>
<i>Maximum capacity</i>	<i>Irrigation: 1.8 l / min, Aspiration: 1.8 l / min</i>
<i>Maximum irrigation pressure</i>	<i>400 mm Hg (±50 mm Hg)</i>
<i>Vacuum, minimum</i>	<i>-60 kpa (-10 kpa)</i>
<i>Weight</i>	<i>approx. 6 kg</i>

Accessories:

Suction and irrigation tube set

disposable, sterile, 10/pkg.....4170.225

Tube set for attachment to suction port

with filter, disposable, 10/pkg4170.902

Suction canisters

*3 liter, complete with lids, connecting tubes and elbow fittings,
disposable, 36/pkg2215.972*

Mounting bracket for suction canister2215.992

Wire rings

for holding suction canisters, 12/pkg2215.973

I.V. pole

with sturdy 5-arm base2215.974

For mounting on the side of equipment / video carts

mounting rail for use on flat vertical surfaces.....31110.901

clamps for holding I.V. pole to mounting rail (qty 2)31110.902

I.V. pole used with clamps and mounting rail31110.905

spacers for use with mounting rail75093.052

Endoscope Warmer 2320



- Electronic temperature control by multi cycle controller
- Four endoscopes can be pre-heated to approx. 122° F simultaneously
- Short warming cycle of approx. 10 minutes
- Hinged feet allow unit to be tilted for easier access when inserting or removing endoscopes
- For endoscopes up to 310 mm working length

Endoscope warmer 2320

including 4 autoclavable tube inserts
with screw caps for four endoscopes of up to
310 mm working length2320.002

The Endoscope warmer is used to warm rigid endoscopes to prevent them from fogging when introduced into the body (e.g. in laparoscopic surgery).

Spare tube insert for endoscopes of up to 310 mm
working length.....8033.90

Anti-fogging solution, sterile102.01


Telescope Warmer 2320

Technical Data


Safety class complying with	VDE 0750 / IEC 601
MedGV group	3
Classification	B
Mains voltage	120-127 V
Mains frequency	50/60 Hz
Power input	ca. 200 W
Dimensions (w x h x d)	8 in x 5.5 in x 13 in
Weight	7.9 lb

Bipolar Connecting Cable







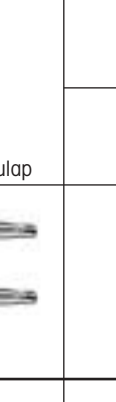

Reusable

			
Instrument	For use with bipolar units	Length	Type
Reusable bipolar connecting cable for Wolf instruments	WOLF	9.8 ft.	8108.031

Single Use / Disposable

			
Instrument	For use with bipolar units	Length	Type
Disposable bipolar connecting cable for Wolf instruments, pkg. of 10	WOLF	9.8 ft.	8108.011


HF Bipolar Connecting Cables

Instrument fitting	Unit fitting	Length	Type
 <p>WOLF Bipolar forceps</p>	 ERBE / ACC / ICC / T	3 m	8108.032
	 2 pin Valleylab	3 m	8108.033
	 WOLF / Martin / Berchtold / Aesculap	3 m	8108.031* 8108.011**
		5 m	8108.051
	 Eschmann <i>and other devices with 4 mm connectors</i>	3 m	8108.034
 <p>Bipolar Tweezers connecting</p>	 2 pin Valleylab	3 m	8108.133
	 WOLF / Martin / Berchtold / Aesculap	3 m	8108.131

* Reusable

** Disposable sterile, single-patient use only, 10 / pkg

Monopolar Connecting Cable



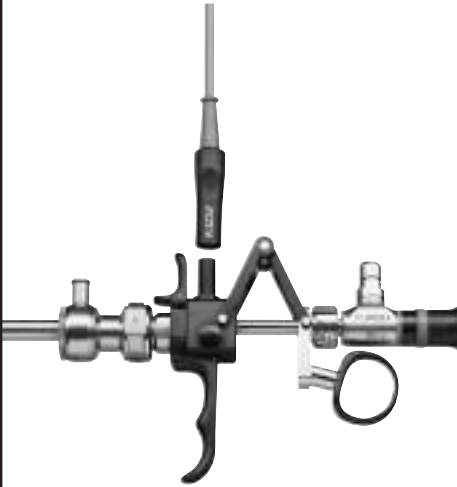





Instrument	For use with	Length	Use	Type
For monopolar electrodes / suction tubes: HF connecting cable*	Wolf instruments to Wolf generators	10 ft.	Reusable	815.132
	Wolf instruments to ValleyLab generators	10 ft.	Reusable	815.033
			Disposable	415.0030
For monopolar forceps / scissors: HF connecting cable	Wolf instruments to Wolf generators	10 ft.	Reusable	8106.132
			Disposable	4106.1320
	Wolf instruments to ValleyLab generators	10 ft.	Reusable	8106.033
			Disposable	4106.0330

*A special HF instrument adapter is available to allow electrodes and suction tubes to be used with HF cables of type 8106

HF-instrument-adapter,

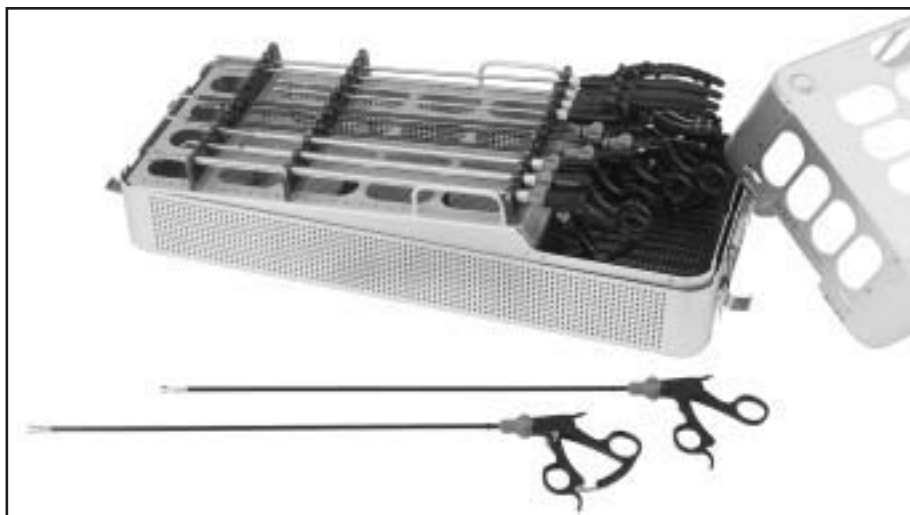
for electrodes and suction tubes allowing connection to
HF cable 8106.....8106.815

HF Monopolar Connecting Cables

Instrument fitting	Unit Fitting	Use	Length	Type
WOLF - Resectoscopes 	 ERBE T-Series	Reusable	3 m	815.132
		Reusable	5 m	815.152
	 Bovie / Valleylab / Erbe Int.	Reusable	3 m	815.033
		Disposable	3 m	415.0030
		Reusable	5 m	815.053
WOLF Instruments 	 ERBE T-Series	Reusable	3 m	8106.132
		Disposable	3 m	4106.1320
		Reusable	5 m	8106.152
	 Bovie / Valleylab / Erbe Int.	Reusable	3 m	8106.033
		Disposable	3 m	4106.0330
		Reusable	5 m	8106.053

All disposable HF cables are supplied as a sterile, single-patient use item and are supplied individually packaged, 10/box.

Instrument Storage Trays



Laparoscopic Forcep Tray
(for sterile processing)

23" x 11" x 8" (l x w x h).....8585.011

27" x 11" x 8" (l x w x h).....8585.021



Universal, double layer instrument tray

25" x 11" x 5" (l x w x h).....8585.025



Spare Parts



Replacement Parts for Trocar Sleeves / Endoscope Warmer / Insufflator / Pleurodesis System

Replacement Parts for RIWO ART Trocars

Sealing Caps:

Sealing caps for 3.5mm, red, 12/pkg	89.01RE
Sealing caps for 5.5mm, blue, 12/pkg	89.02BL
Sealing caps for 7mm, brown, 12/pkg.....	89.171BR
Sealing caps for 10mm, red, 12/pkg	89.08RE
Sealing caps for 12.5mm, blue, 12/pkg	89.09BL

O-Rings:

for 3.5mm and 5.5mm	8921.951
for 7mm, 10mm and 12.5mm	8923.951

Ball Valves:

for 3.5mm and 5.5mm	8921.901
for 7mm, 10mm and 12.5mm	8923.901

Replacement Parts for Other Style Trocar Sleeve

5mm Trocars, 8940.01 / 8940.03:

Base cover	15 135.153
Sealing caps, blue, 12/pkg	89.02BL
Spring.....	15 006.161

5.5mm Trocar, 8920.001 / 8920.003:

(Note: This is not a trumpet valve style)

Valve body, complete	15 135.270
Membrane valves, pkg of 10	8920.911
Sealing caps, blue, 12/pkg	89.02BL

10mm Trocar, 8934.01 / 8934.03 / 8934.071:

Base cover	15 135.080
Sealing caps, red, 12/pkg	89.08RE
Spring.....	15 006.087

20mm Trocar, 8945.011:

Base cover	15 135.252
Union nut	15 009.159
Inner ring, metal	819.912
Washer	819.902
Spring.....	15 006.293

Replacement Parts for Endoscope Warmer 2320.002

Replacement tube	8033.90
Anti-fogging solution, sterile	102.01
Fuse for 2320, (2 per unit), T1.6A/250V	72315.010

Replacement Parts for High Flow Insufflator 2231

CO ₂ high pressure hose	2026.62
CO ₂ yoke	2026.64
CO ₂ high pressure hose, yoke and manometer assembly.....	2026.631
S-Video cable	5363.17
BNC cable.....	5352.56
Keyboard	5050.801
Fuse for 2231.501, (2 per unit), T 400 MA/250V	72315.002
Fuse for 2231.571, (2 per unit), T 800 MA/250V	72315.006

Replacement Parts for Talc Pleurodesis System 8294

Powder spray nozzle	8294.03
Adapter.....	8294.82
Disposable membrane filter, sterile, pkg of 50	2148.95
Disposable containers, non-sterile, pkg of 100	8294.60
Aspiration tube, 3mm diameter, 100mm WL	8150.19
Aspiration tube, 3mm diameter, 260mm WL	8294.13
Twin bellows	127.00
Stoppers for disposable containers, non-sterile, pkg of 100	294.61
O-Ring for 8294.82.....	15 364.131
Washer for 8294.03	15 054.279

Replacement Parts for Endoscopic Vein Management System / T.E.M.

2

Replacement Parts for Endoscopic Vein Management System 8781

External sheath w/ distal olive tip, 275mm WL	8781.222
External sheath w/ distal olive tip, 195mm WL	8781.022
External sheath w/o olive tip, 275mm WL.....	8781.202
External sheath w/o olive tip, 195mm WL.....	8781.002
Operating port cap.....	15 176.077
Operating port adapter	8781.981
Replacement membrane valves, pkg of 10	8920.911
Sealing caps, pkg of 12	89.02BL

Replacement Parts for Transanal Endoscopic Microsurgery (T.E.M.) 8840

Sealing sleeves, pkg of 4	8840.261
Sealing caps for auxiliary instruments w/ diameters:	
2.4 – 3.4mm, red, 12/pkg	89.01RE
3.4 – 5.1mm, blue, 12/pkg.....	89.02BL
5.1 – 6.0 mm, gray, 12/pkg	89.03GY
13.0 – 13.8 mm, red, 12/pkg.....	89.10RE
No hole, red, 12/pkg.....	89.20RE
Suture clips, pkg of 50	8840.764
Clip ejector.....	8840.763
Thumb ring for 8840.74	15 008.054
Bottle adapters for 2144 endosurgical unit:	
Baxter bottle adapter	8383.948
Abbott bottle adapter	8383.949

Replacement Parts for Kleppinger Bipolar Forceps, 8383 and 8384 and Hulka Clip Applicator

Replacement Parts for Kleppinger Forceps, 8383.21 and 8384.21

	32cm long	45cm long
Tongs	8383.211	8384.211
Handle with locking device	N900177	N900177
Guide tubing	15181.002	15181.003
Sealing cap	88.04GR	88.04GR
Sealing cap housing	15072.014	15072.014
M2 Hex head screw	N110061	N110061
Outer shaft	N900191	N900193

For Kleppinger Forceps, 8383.24 and 8384.24

	32cm long	45cm long
Tongs	8383.211	8384.211
Outside shaft	N900128	N900129
Finger guide	N230049	N230049
Thumb ring assembly	N900132	N900132

Replacement Parts for Hulka Clip Applicator, 8387.84 and 8388.84

	32cm long	45cm long
Screw	9014.002	9014.002
Thumbring	15008.158	15009.158
Knurled nut	15009.053	15009.158
O-ring	15364.042	15364.042
Spring	15006.155	15006.155
Washer	15008.226	15008.226
Inner shaft*	N/A	N/A
Outer shaft*	N/A	N/A

* For replacement of these parts, the applicator must be returned to Richard Wolf for precision repair. Call 800.323.WOLF (9653) for repair.

Miscellaneous Replacement Parts

Miscellaneous Replacement Parts

O-Ring for rotatable stopcock	15364.068
RW Mount Eyepiece	8885.901

Cables

HF connecting cable, Wolf to Valleylab	815.033
HF connecting cable, Wolf to Wolf	815.132
BiPolar connecting cable, Wolf to Wolf	8101.031
Unipolar HF cable, Wolf to Valleylab	8106.033
Unipolar HF cable, Wolf to Wolf	8106.132
Unipolar HF cable adapter, 8106 to 815	8106.815

Luer Connectors

Luer connector, male,	
3mm	886.00
4mm	886.01
Luer connector, female,	
3mm	891.00
4mm	891.01
Luer lock cap	
3mm Luer connector	887.00
4mm Luer connector	887.01
Luer lock connector, male,	
3mm	884.00
4mm	884.01
Luer lock connector, two-way stopcock, male,	
3mm	883.00
4mm	883.01
Luer lock connector, two-way stopcock, male, water inlet from left,	
4mm	883.12

Conical irrigation adapter for catheters: (to attach a two-way stopcock for locking stopcock),	
3mm	880.00
4mm	880.01

Conical irrigation adapter for catheters: (with wide tunnel for catheters to attach two-way stopcock or locking stopcock),	
3mm	883.00
4mm	883.01

Replacement Parts for Verres Cannula

8302.08/12/15/25

Stopcock knob	15039.008
Stopcock valve cap	15040.012
Pin	15020.076
Spring (inside cap)	15006.176
Luer connector	886.00

Replacement Parts for Cohen Cannula, 8378.00

Cannula shaft	N900347
Spring w/ bushing	N900348
Cannula Housing w/handle	N900346
Handle	15106.003
Screws (2)	N110067
Acorn, small	8378.90
Acorn, large	8378.91

Sealing Caps

Type S:

88.00RE: 12/pkg	red	no hole
88.005RE: 12/pkg	red	up to 1mm
88.01RE: 12/pkg	red	1mm-2mm
18.01RE, long: 12/pkg	red	1mm-2mm
88.02BL: 12/pkg	blue	2mm-3mm
88.03BK: 12/pkg	black	3mm-4mm
88.04GR: 12/pkg	green	4mm-5mm

Type C: (for fittings greater than 5.5mm or less)

89.00BK: 12/pkg	black	up to 2mm
89.01RE: 12/pkg	red	2mm-3mm
89.02BL: 12/pkg	blue	3mm-4mm
89.03GY: 12/pkg	grey	5mm-6mm
89.04BR: 12/pkg	brown	6mm-7mm
89.05YE: 12/pkg	yellow	7mm-8mm
89.06GR: 12/pkg	green	8mm-9mm
89.07BK: 12/pkg	black	9mm-9.5mm

Type C: (for fittings greater than 5.5mm)

89.90RE (self sealing): 12/pkg	red	3.4mm-4.5mm
89.20RE (15mm): 12/pkg	red	no hole
89.171BR: 12/pkg	brown	6mm-7mm
89.08RE: 12/pkg	red	9.5mm-10mm
89.09BL: 12/pkg	blue	10mm-12mm
89.10RE: 12/pkg	red	13mm-14mm
89.21RE (17mm): 12/pkg	red	no hole

Sealing Cap Chart, see page Lap 3.20

Video Replacement Parts / Cables / Fuses / Adapters

Replacement Parts for Light Sources

Lamps and Bulbs For:

4210, Halogen lamp, 250W / 24V	2416
4246, Halogen lamp, 150W, 21V	N650012
5121, Xenon lamp, 175W	2412.112
5123, Xenon 180W Lamp	2412.115
5150, High intensity bulb, 300W	N650013
5150, Low intensity bulb, 150W	N650012
5151, Xenon 300W lamp	N900007
5131, Xenon 300W lamp	2431.101

Cables:

Fiber light cable, 1.8 M, 1.6 mm diameter	8061.16
Fiber light cable, 3 M, 2.5 mm diameter	8061.256
Fiber light cable, 3 M, 3.5 mm diameter.	8061.356
Fiber light cable, 3 M, 4.5 mm diameter.	8061.456

Fuses / Circuit Breakers For:

4246 circuit breaker, 4 amp	N610010
5121 / 5122, (2 fuses per unit required), Fuse T 4A, 250V	N610052
5150, (2 circuit breakers required), 1 – 2 amp	N610024
1 – 7 amp	N610031
5151, (1 circuit breaker and 1 fuse required), Circuit breaker, 7 amp	N610031
Fuse T 10A, 250V	N610037
5131, (2 fuses per unit required), Fuse T 6.3A, 250V	72315.007

Fuses For Ultrasound Generators:

2270 series:	
Main line (2 fuses per unit), T 1.6L 250 V	72315.010
S12 fuse, S1o B1o, T 2A.....	N610050
2271 series	
Main line (2 fuses per unit), T2.5L 250V	N610039
F1 and F2, S1o B1o, T 0.75A	N610057
F3, S1o B1o, T 2A.....	N610058

Replacement Parts for Video Cameras

Video Cables For:

BNC cable, 6 ft.....	5352.56
BNC cable, 25 ft.....	5352.60
S-Video cable, 10 ft.	5363.17
S-Video cable, 17 ft.	5363.19
RGB cable, 9-Pin DIN to 5-BNC, 6 ft.	103.803
RGB cable, 5 x BNC, 6 ft.....	103.805
RGB cable, 5 x BNC, 25 ft.....	103.811

Adapters:

For Office Endocam 5510, C-mount adapter	N620095
--	---------

Unit Fuses For:

5511, (2 fuses per unit), T 1A, 250V.....	N610032
5510, (2 fuses per unit), T 1A, 250V.....	N610032
5501, (2 fuses per unit), 150MA/250V	72315.030
5504, (2 fuses per unit), T 1A, 250V.....	N610032
5589 Video enhancer, (2 fuses per unit), T 1A, 250V	N610032